

# PRODUCT INFORMATION PACKET



Model No: 0427

Catalog No: 0427

1/20-1/30 HP Fan Coil / Room Air Conditioner Motor, 1320 RPM, 2 Speed, 277 Volts, 42 Frame, TEAO  
Fan Coil & Air Conditioner Motors



Regal and Century are trademarks of Regal Rexnord Corporation or one of its affiliated companies.  
©2021 Regal Rexnord Corporation, All Rights Reserved. MC017097E





**Nameplate Specifications**

Output HP	1/20, 1/30 Hp	Output KW	0.04 kW
Frequency	60 Hz	Voltage	277 V
Current	0.48/0.38 A	Speed	1320/1050 rpm
Service Factor	1	Phase	1
Duty	Continuous Air Over	Insulation Class	A
Frame	42	Enclosure	Totally Enclosed Air Over
Thermal Protection	Automatic	Ambient Temperature	40 °C
UL	Recognized	CSA	Y
CE	N	Number of Speeds	2

**Technical Specifications**

Electrical Type	Permanent Split Capacitor	Starting Method	Across The Line
Poles	4	Rotation	Counterclockwise Lead End
Mounting	Resilient Base	Motor Orientation	Any
Drive End Bearing	Sleeve	Opp Drive End Bearing	Sleeve
Frame Material	Rolled Steel	Shaft Type	Flat
Overall Length	21.00 in	Shaft Diameter	0.500 in
Shaft Extension	8.37 X .5 X 8.38 in		
Outline Drawing	0427-S01		

This is an uncontrolled document once printed or downloaded and is subject to change without notice. Date Created:10/12/2021

4

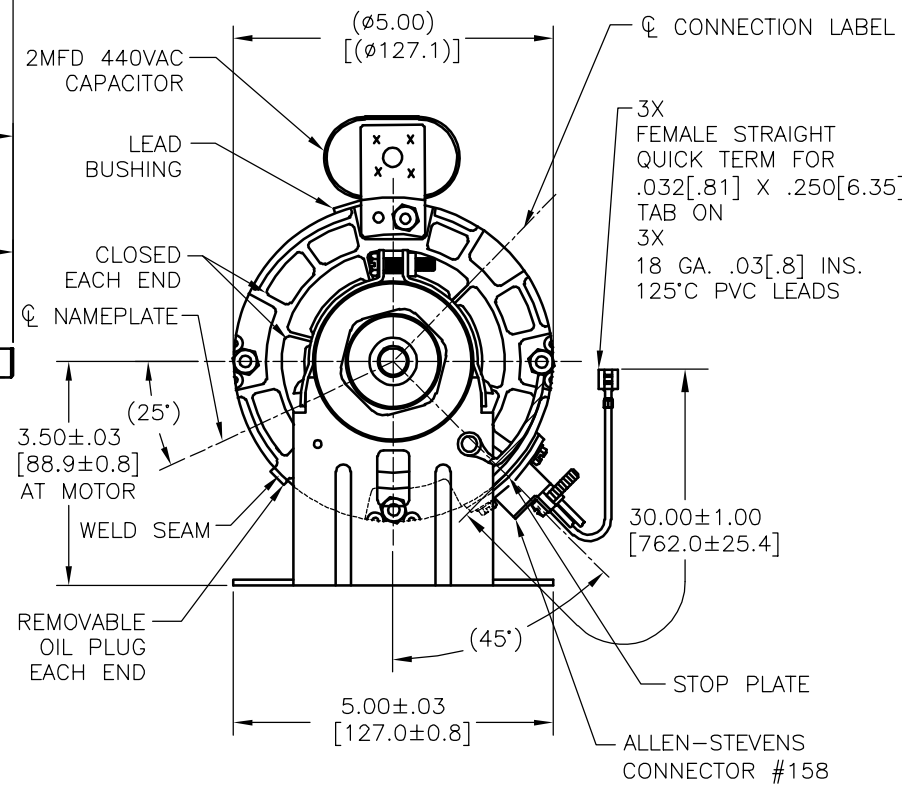
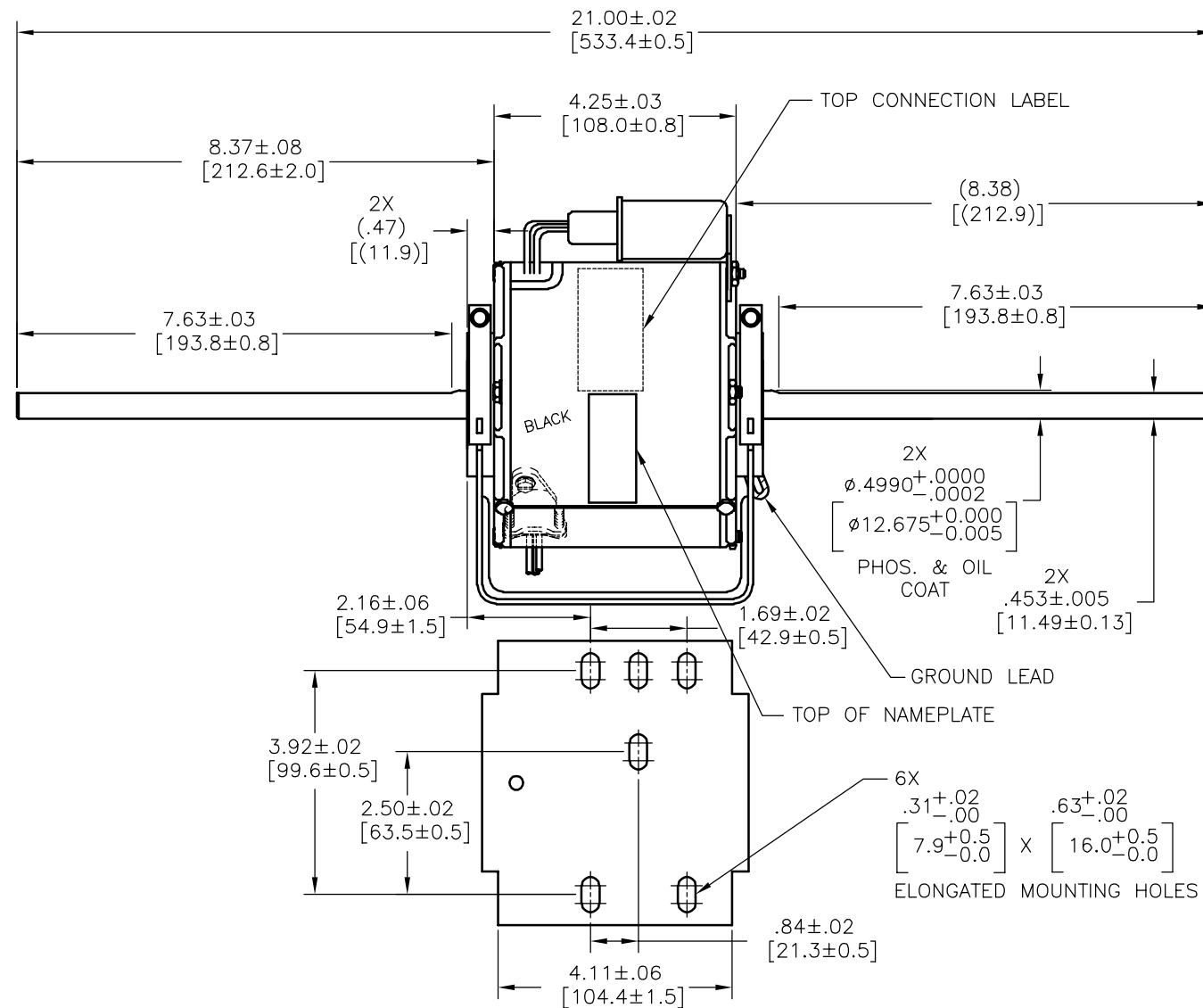
3

2

1

CUSTOMER IS SOLELY RESPONSIBLE FOR MOTOR PERFORMANCE AND SUITABILITY IN APPLICATIONS FOR CUSTOMER'S USES.

REV	ECO	REV BY	DATE	APPD	DATE
A	0038154	J.M.RAMIREZ	11-14-2013	G.ALVIDREZ	11-14-2013



ELECTRICALLY PER SAMPLE S-623E

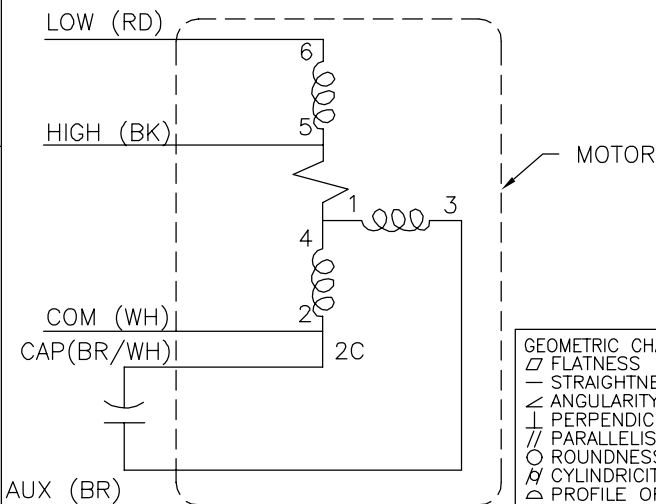
SCHEMATIC-13

ROT.: - CCWLE  
NAMEPLATE DATA:



SER. DATE & P0# PLT LTR MOD DE2G063N' STK NO. 0427  
 VOLTS 277 HZ 60 AMPS  
 RPM SP2 PH1 CAP 2MFD 440VAC  
 INS CL AMB °C HP CONT AO ← ROT →  
 BRG SLV ASSEMBLED IN MEXICO  
 WH-COM, BR & BR/WH-CAP  
 BK-HI .48A 1320RPM 1/20HP  
 RD-LO .38A 1050RPM 1/30HP

CONNECTION LABEL  
63T7432-191



GEOMETRIC CHARACTERISTICS & SYMBOLS

- ▭ FLATNESS
- STRAIGHTNESS
- ∠ ANGULARITY
- ⊥ PERPENDICULARITY (SQUARENESS)
- // PARALLELISM
- ROUNDNESS (CIRCULARITY)
- ⊘ CYLINDRICITY
- △ PROFILE OF ANY SURFACE
- ∩ PROFILE OF ANY LINE
- ↗ RUNOUT
- ⊕ TRUE POSITION
- ◎ CONCENTRICITY
- ≡ SYMMETRY

ASME Y14.5M 1994

UNLESS OTHERWISE SPECIFIED DIM. TOLERANCES ARE AS FOLLOWS:

INCH X XX XXX XXXX  
 ±.1 ±.02 ±.005 ±.0005  
 mm ±0.5 ±0.13 ±0.013

ANG. ±50 DEG  
 REMOVE BURRS & BREAK SHARP EDGES:  
 INCH .003-.015 mm 0.1-0.4

CORNER FILLETS TO:  
 INCH .020 mm 0.5

MACHINE SURFACES:  
 INCH 125 mm 3.2

METRIC DIMS. SHOWN IN [BRACKETS]

DR BY: T.L.B. 02-20-2001

APPD: D.T.S.

THIRD ANGLE PROJECTION

EDS DATE 11-11-2011  
 FORMAT REV H

CONFIDENTIAL: THIS DRAWING AND ITS INFORMATION ARE THE EXCLUSIVE AND CONFIDENTIAL PROPERTY OF REGAL-BELOIT CORPORATION AND ARE NOT TO BE DISCLOSED, DUPLICATED, DISTRIBUTED OR OTHERWISE USED WITHOUT THE WRITTEN CONSENT OF REGAL-BELOIT CORPORATION. -ALL RIGHTS RESERVED.

**REGAL REGAL-BELOIT CORPORATION**

DESCRIPTION: MODEL-RFHP-42FR OUTLINE

SIZE: C DWG NO: 0427

SCALE: NONE SHEET: 1

4

3

2

1

4

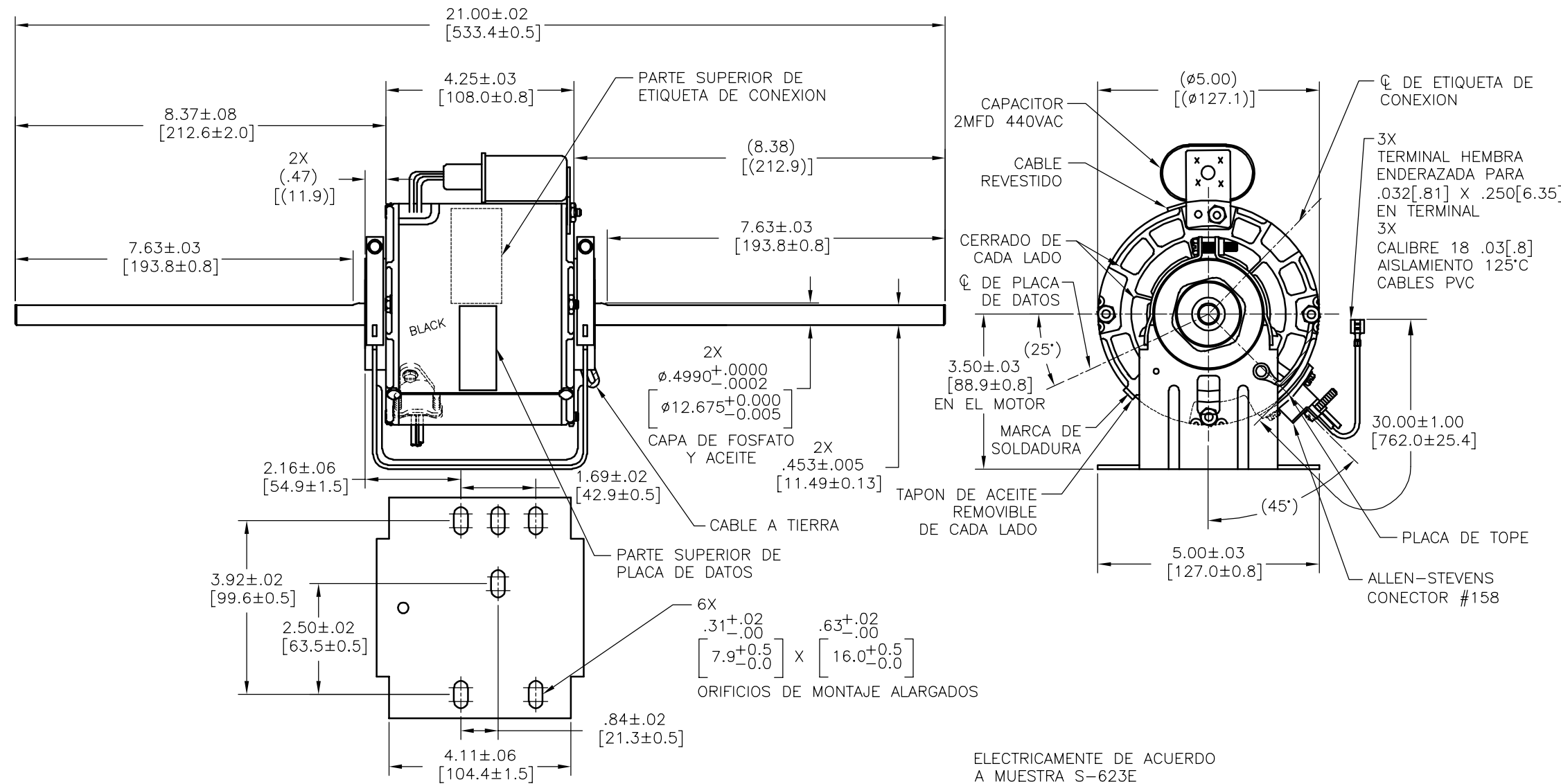
3

2

1

EL CLIENTE ES UNICAMENTE RESPONSABLE POR EL DESEMPEÑO Y DEL MOTOR Y CONVENENCIA EN APLICACIONES PARA LOS USOS DEL CLIENTE.

REVISION:	ECO	REVISADO POR:	FECHA:	APROBADO POR:	FECHA:
A	0038154	J.M.RAMIREZ	11-14-2013	G.ALVIDREZ	11-14-2013



ELECTRICAMENTE DE ACUERDO A MUESTRA S-623E

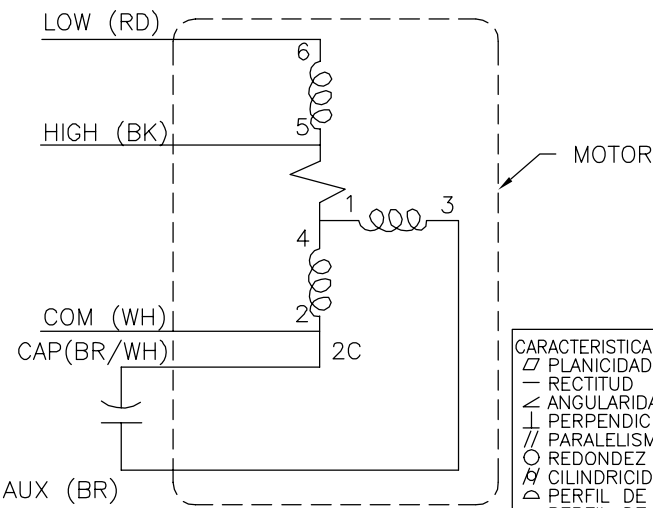
ROT.: - CCWLE

INFORMACION DE PLACA DE DATOS:



SER. DATE & P0# PLT LTR MOD DE2G063N' STK NO. 0427  
 VOLTS 277 HZ 60 AMPS  
 RPM SP2 PH1 CAP2MFD 440VAC  
 INS CL AMB °C HP CONT AO ← ROT →  
 BRG SLV ASSEMBLED IN MEXICO  
 WH-COM, BR & BR/WH-CAP  
 BK-HI .48A 1320RPM 1/20HP  
 RD-LO .38A 1050RPM 1/30HP

ETIQUETA DE CONEXION  
63T7432-191



- CARACTERISTICAS DE GEOMETRIA Y SIMBOLOS
- PLANICIDAD
  - RECTITUD
  - ∠ ANGULARIDAD
  - ⊥ PERPENDICULARIDAD (A ESCUADRA)
  - // PARALELISMO
  - REDONDEZ (CIRCULARIDAD)
  - ⊘ CILINDRICIDAD
  - △ PERFIL DE CUALQUIER SUPERFICIE
  - ∧ PERFIL DE CUALQUIER LINEA
  - ∩ VARIACION
  - ⊕ POSICION REAL
  - ⊙ CONCENTRICIDAD
  - = SIMETRIA

A MENOS QUE SE ESPECIFIQUE DE OTRA MANERA, LAS TOLERANCIAS DE LAS DIMS; SON LAS SIGUIENTES:

PULG ±.1 ±.02 ±.005 ±.0005  
 mm ±0.5 ±0.13 ±0.013

ANG. ± 50 GRADOS  
 ELIMINAR REBABAS Y ORILLAS FILOSAS DEL BORDE.

PULG .003-.015 mm 0.1-0.4  
 FILETEAR ESQUINA: PULG .020 mm 0.5  
 MAQUINAR SUPERFICIES  
 PULG 125 mm 3.2

DIMS METRICAS MOSTRADAS [PARENTESIS]

DIBUJADO POR: T.L.B. 02-20-2001  
 APROBADO POR: D.T.S.  
 TERCER ANGULO DE PROYECCION  
 FECHA EDS: 11-11-2011  
 REV. FORMATO: H  
 CONFIDENCIAL: ESTE DIBUJO Y SU INFORMACION SON PROPIEDAD DE USO EXCLUSIVO Y CONFIDENCIAL DE REGAL-BELOIT CORPORATION. Y NO DEBERAN SER REVELADOS, DUPLICADOS, DISTRIBUIDOS O USARSE DE OTRA MANERA SIN EL CONSENTIMIENTO ESCRITO DE REGAL-BELOIT CORPORATION. -TODOS LOS DERECHOS RESERVADOS.

**REGAL REGAL-BELOIT CORPORATION**

DESCRIPCION: MODEL-RFHP-42FR OUTLINE

TAMAÑO: C NUMERO DE DIBUJO: 0427

ESCALA: NONE HOJA: 1

4

3

2

1