

PRODUCT INFORMATION PACKET



Model No: 048A11T2022

Catalog No: X028

General Purpose Farm Duty Motor, 0.33 HP, 1 Ph, 60 Hz, 115/230 V, 1200 RPM, 48Y Frame, TEAO



Regal and LEESON are trademarks of Regal Rexnord Corporation or one of its affiliated companies.
©2025 Regal Rexnord Corporation, All Rights Reserved. MC017097E



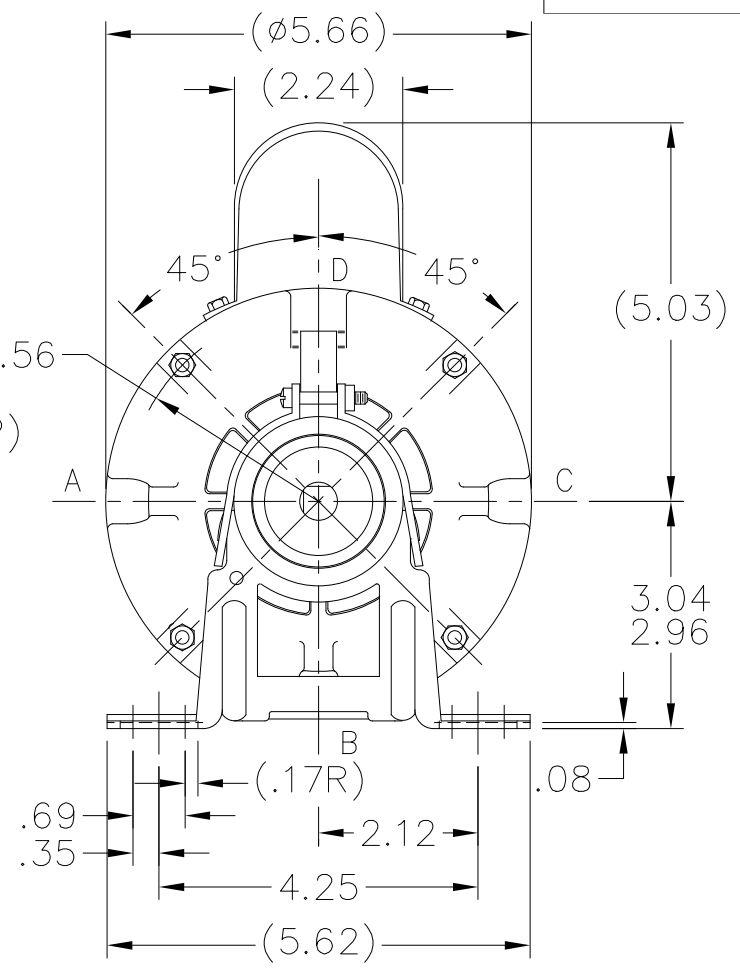
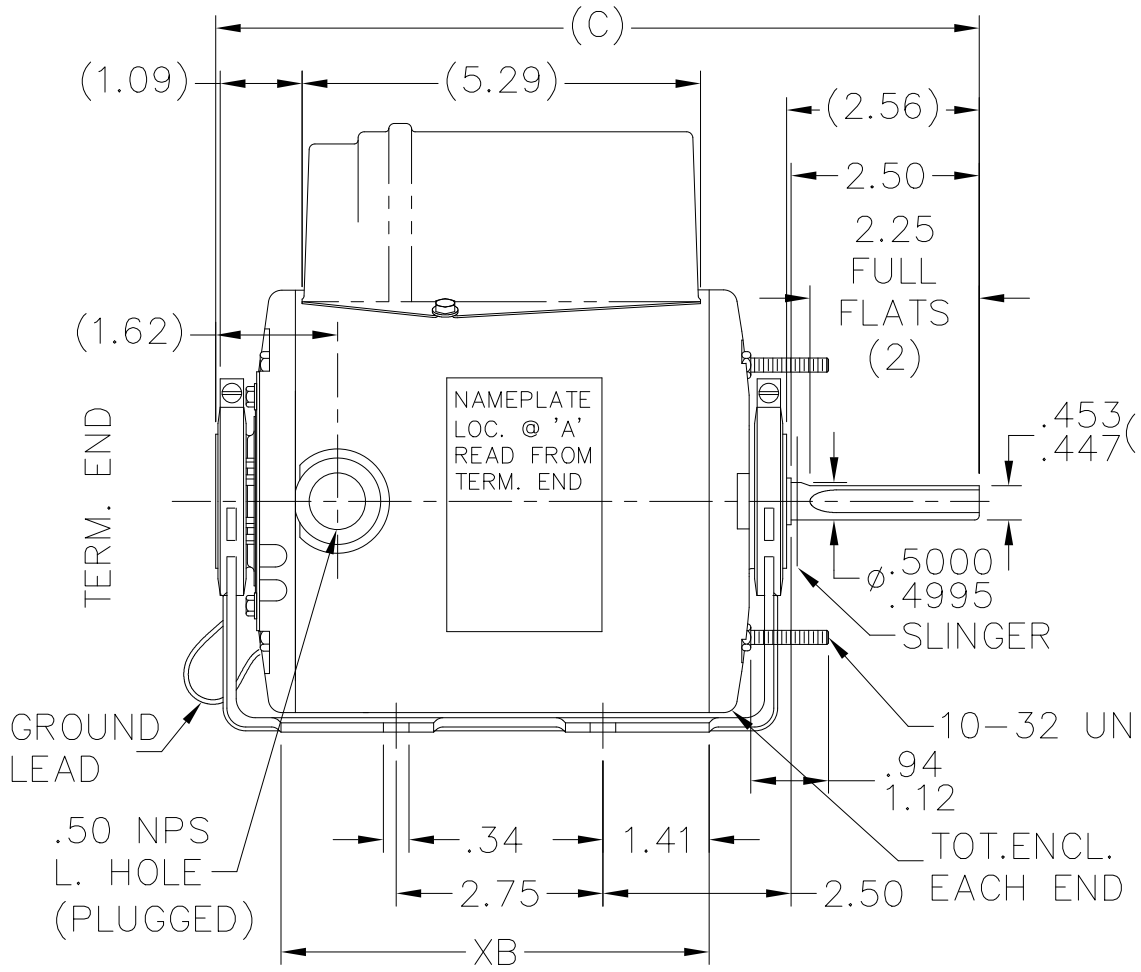


Nameplate Specifications

Phase	1	Output HP	0.33 Hp
Output KW	0.25 kW	Voltage	115/230 V
Speed	1075 rpm	Service Factor	1.0
Frame	48Y	Enclosure	Totally Enclosed Air Over
Thermal Protection	Automatic	Efficiency	68 %
Ambient Temperature	40 °C	Frequency	60 Hz
Current	4.2/2.1 A	Power Factor	93
Duty	Continuous	Insulation Class	B
Design Code	NO DESIGN CODE	KVA Code	B
Drive End Bearing Size	6203	Opp Drive End Bearing Size	6203
UL	Recognized	CSA	Y
CE	N	IP Code	43
Number of Speeds	1		

Technical Specifications

Electrical Type	Permanent Split Capacitor	Starting Method	Across The Line
Poles	6	Rotation	Selective Clockwise
Resistance Main	0 Ohms	Mounting	Round - Extended Studs
Motor Orientation	Horizontal	Drive End Bearing	Ball
Opp Drive End Bearing	Ball	Frame Material	Rolled Steel
Shaft Type	Single Special Extension	Overall Length	10.84 in
Frame Length	6.25 in	Shaft Diameter	0.500 in
Shaft Extension	2.56 in	Assembly/Box Mounting	F1 ONLY
Outline Drawing	A-SS75967-625	Connection Drawing	A-EE9057AH



TOTALLY ENCLOSED MOTOR
FULLY GASKETED

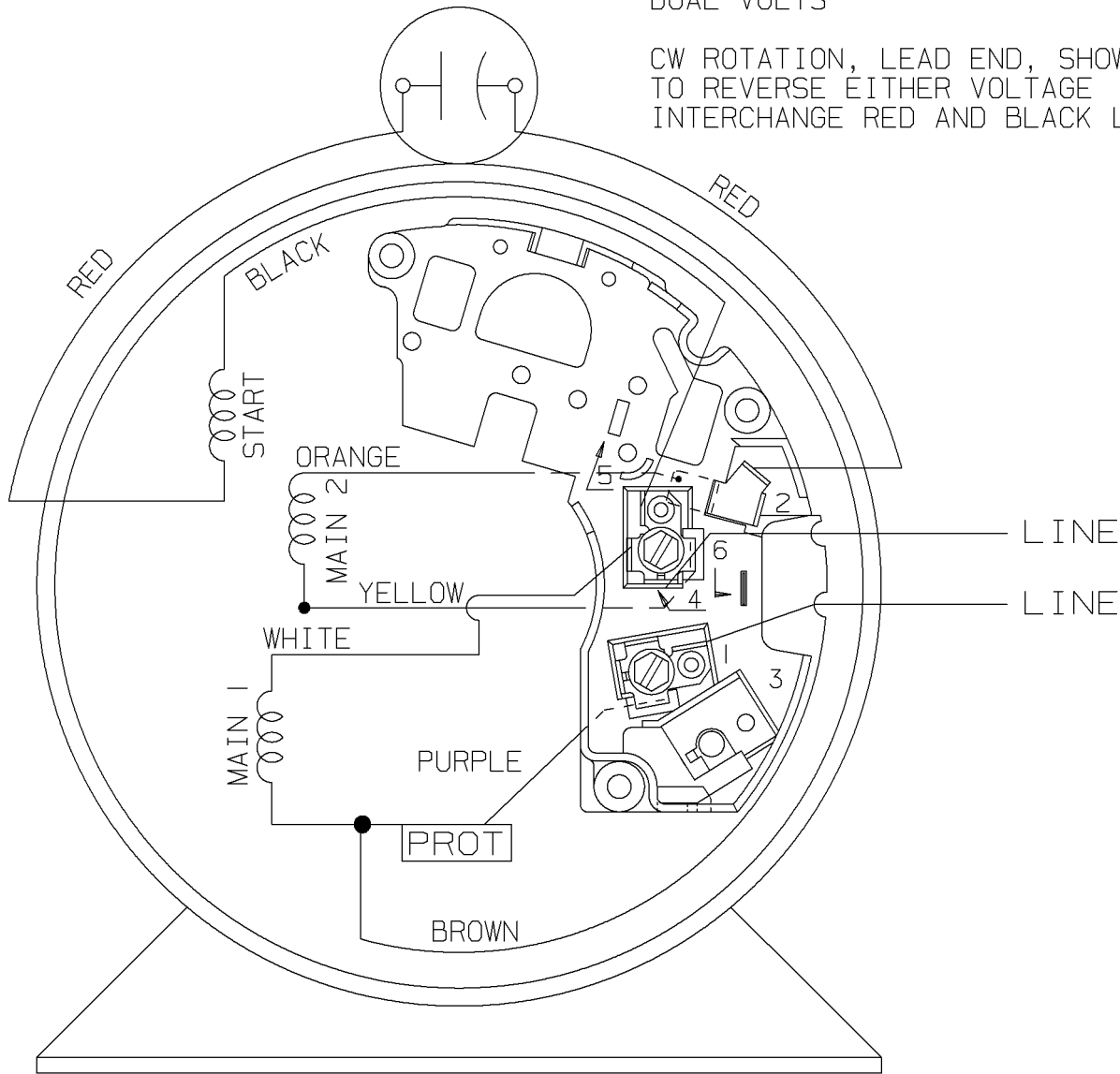
DASH	FR	XB	C
550	48	5.69	10.09
625	48	6.44	10.84

				TOLERANCES UNLESS SPECIFIED		Regal Rexnord Regal Beloit America, Inc.	DRAWN DD 01-14-1994		
				DEC.	INCHES		CHK ML 01-17-1994		
4	CHG FROM MARATHON TO RRX TEMPLATE PER ECR-0233453	MD 5/7/2024	DS	.X	±.1	TITLE OUTLINE	APPD SHT 01-17-1994		
3	UPDATED DRAWING	TJW 04/23/2007		.XX	±.03		SCALE 3=8		
2	REDRAWN IN AUTOCAD	TAT 05-09-2005	ML	.XXX	±.005	MAT'L.	REF		
1	NEW DRAWING 4109227	DD 01-21-1994		.XXXX	±.0005		FMF		
NO.	REVISION	BY & DATE	CHK	ANG	±7'30"	FINISH	PREV		
THIS DRAWING IN DESIGN AND DETAIL IS OUR PROPERTY AND MUST NOT BE USED EXCEPT IN CONNECTION WITH OUR WORK ALL RIGHTS OF DESIGN AND INVENTION ARE RESERVED THIS IS AN ELECTRONICALLY GENERATED DOCUMENT - DO NOT SCALE THIS PRINT				RFP	CAD FILE ss75967		SIZE A	DRAWING NO. SS75967	PAGE OF 4
				DIST WP			3 of 7		REV. 4

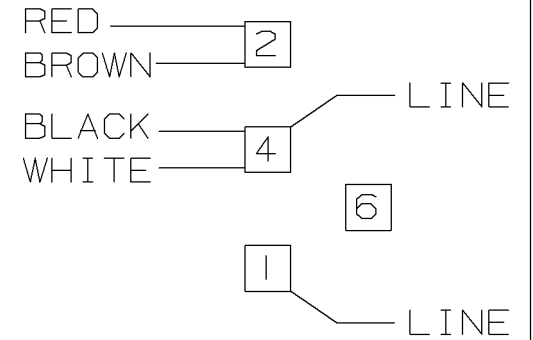
DUAL VOLTS

A- EE9057AH

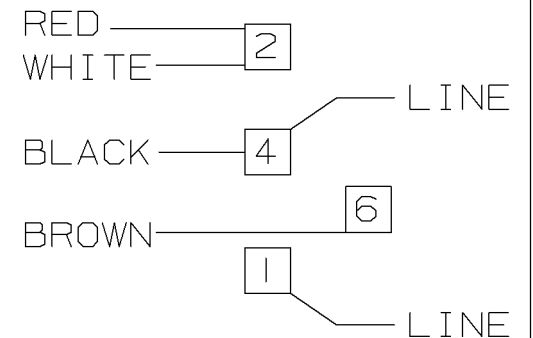
CW ROTATION, LEAD END, SHOWN TO REVERSE EITHER VOLTAGE INTERCHANGE RED AND BLACK LEADS.




LOW VOLTAGE



HIGH VOLTAGE



VIEW OF TERMINAL END

				✓ MAX. SURFACE ROUGHNESS UNLESS NOTED OTHERWISE	UNLESS OTHERWISE SPECIFIED DIMENSIONS ARE IN INCHES TOL. ON XX± XXX±.005 XXXX±.0005 ANGLES±				
				MATL SPEC	 Regal Beloit America, Inc.			DRAWN BY MH	04-03-1998
				FINISH				CHKD BY ML	04-06-1998
				REFERENCE DRW.				APPD BY TOM	04-27-1998
2	05-09-2025	CHD FROM MARATHON TO REGAL REXNORD LOGO		KVDG	CN 23975-249			DRWG NO A- EE9057AH	
1	04-17-1998	NEW DRAWING		MH					
REV	DATE	CHANGE		NAME	PART NAME CONNECTION DIAGRAM			DRWG NO	

SHOP BOOK

PURCHASED

DISTRIBUTION - WA - LB - WP - LM - BR

CADD FILE NO.

EE9057AH



REGAL REXNORD CORPORATION
TYPICAL PERFORMANCE CURVE for AC MOTOR

Customer

Curve at 230 Volts
60 HZ
0.33 HP

HP 0.33

PHASE 1

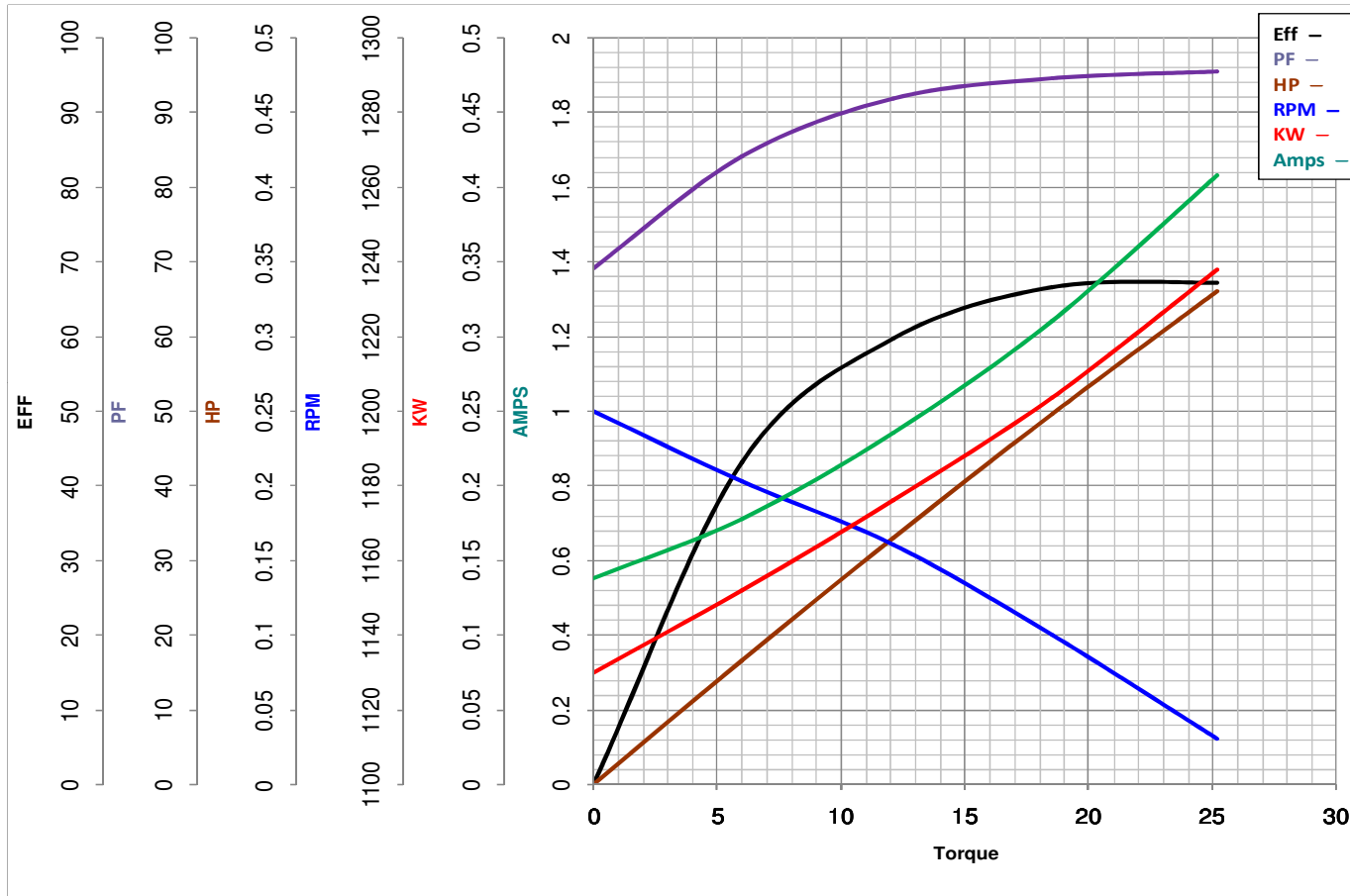
Model No 48A11T2022

VOLTS 115/230

Catalog No X028

HZ 60

RPM 1075



		Torque in Oz.Ft	
FL TORQUE	<u>25.2</u> Oz.Ft	FL AMPS	<u>4.2/2.1</u>
BD TORQUE	<u>35.7</u> Oz.Ft	PU TORQUE	<u>6.9</u> Oz.Ft
LR TORQUE	<u>6.98</u> Oz.Ft	LR AMPS	<u>4.55</u>
WINDING	PE4861695-3	Date	1/4/2019