

PRODUCT INFORMATION PACKET



Model No: 048A17T118

Catalog No: X030

General Purpose Farm Duty Motor, 0.25 HP, 1 Ph, 60 Hz, 115/230 V, 1800 RPM, 48Y Frame, TEAO



Regal and LEESON are trademarks of Regal Rexnord Corporation or one of its affiliated companies.
©2025 Regal Rexnord Corporation, All Rights Reserved. MC017097E



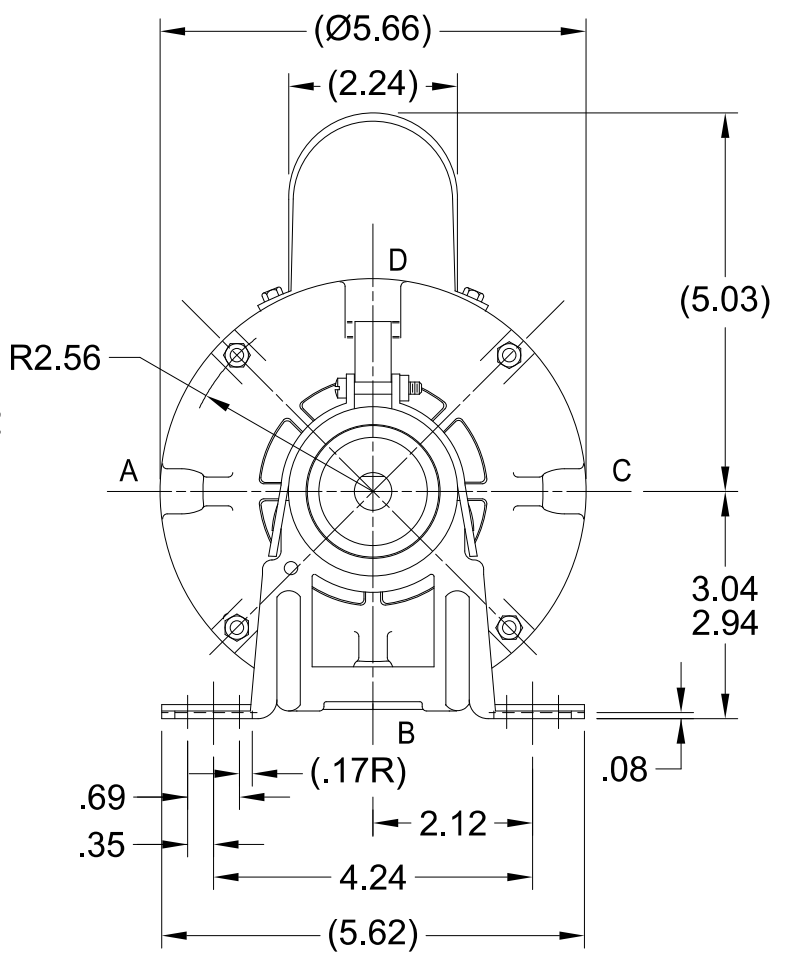
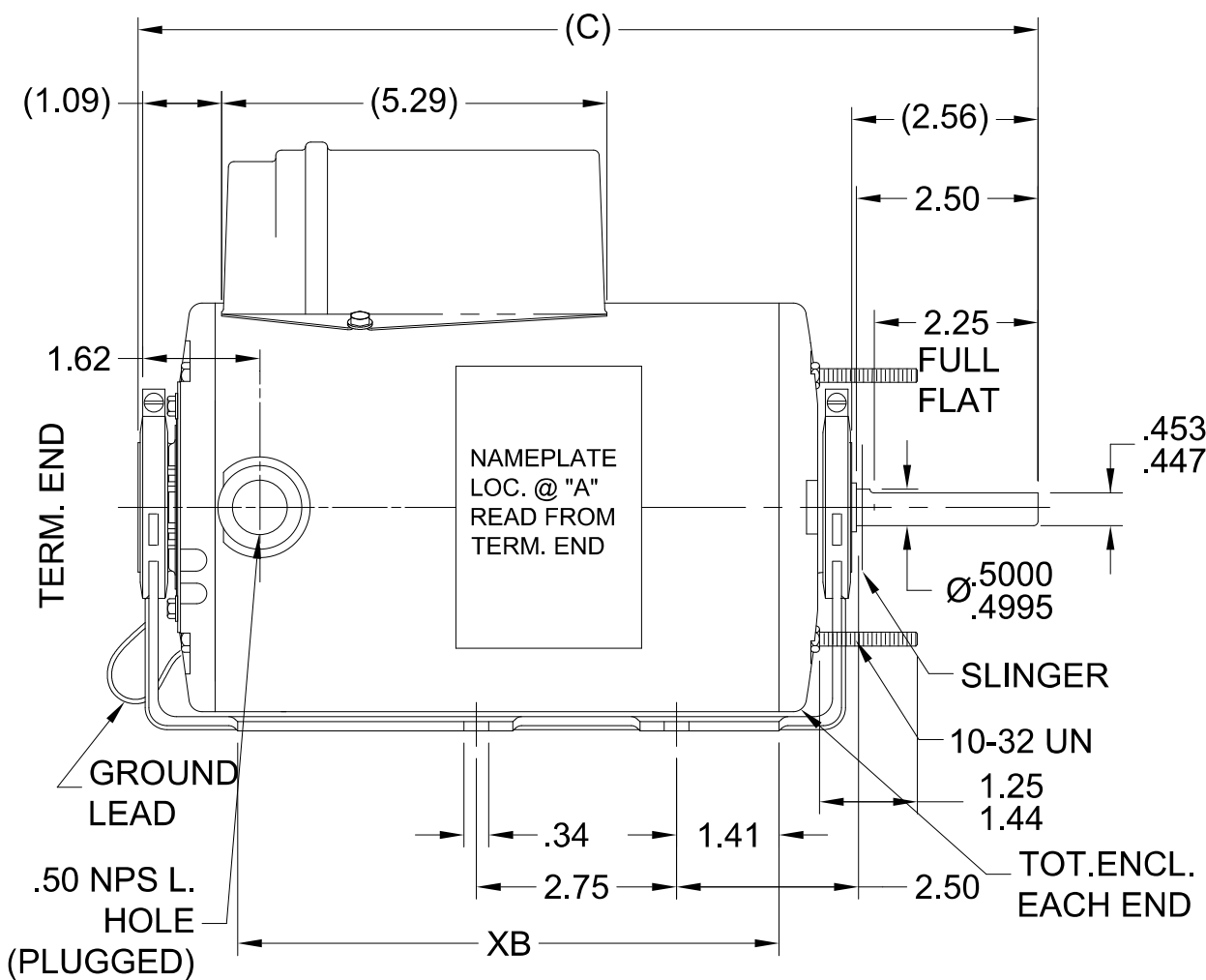


Nameplate Specifications

Phase	1	Output HP	0.25 Hp
Output KW	0.19 kW	Voltage	115/230 V
Speed	1625 rpm	Service Factor	1.0
Frame	48Y	Enclosure	Totally Enclosed Air Over
Thermal Protection	Automatic	Efficiency	68 %
Ambient Temperature	40 °C	Frequency	60 Hz
Current	3.6/1.8 A	Power Factor	87.5
Duty	Continuous	Insulation Class	B
Design Code	NO DESIGN CODE	KVA Code	F
Drive End Bearing Size	6203	Opp Drive End Bearing Size	6203
UL	Recognized	CSA	Y
CE	N	IP Code	43
Number of Speeds	1		

Technical Specifications

Electrical Type	Permanent Split Capacitor	Starting Method	Across The Line
Poles	4	Rotation	Selective Counterclockwise
Resistance Main	0 Ohms	Mounting	Resilient Base - Extended Studs
Motor Orientation	Horizontal	Drive End Bearing	Ball
Opp Drive End Bearing	Ball	Frame Material	Rolled Steel
Shaft Type	Single Special Extension	Overall Length	11.06 in
Frame Length	6.50 in	Shaft Diameter	0.500 in
Shaft Extension	2.56 in	Assembly/Box Mounting	F1 ONLY
Connection Drawing	A-EE9057N	Outline Drawing	A-SS75578-650

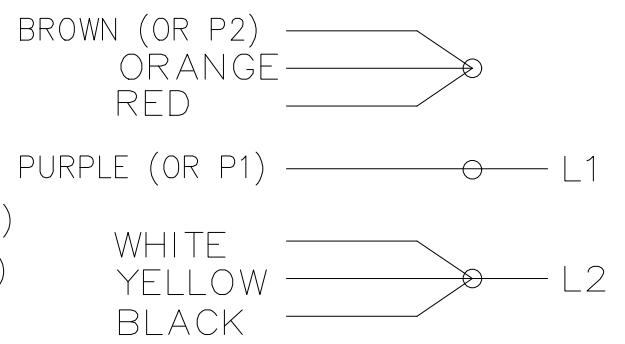


DASH	FR.	XB	C	DASH	FR.	XB	C
650	48	6.69	11.06	725	48	7.44	11.81
675	48	6.94	11.31				
700	48	7.19	11.56				

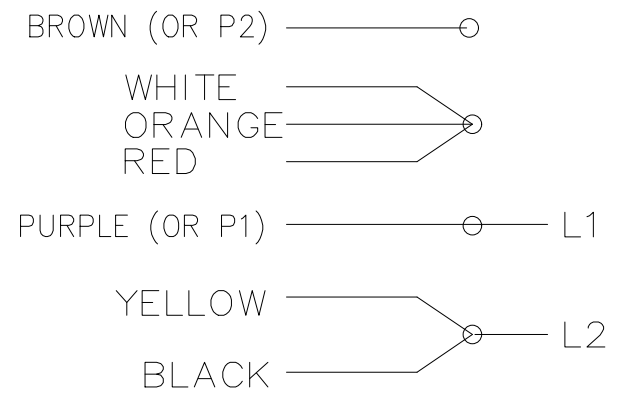
				TOLERANCES UNLESS SPECIFIED		Regal Rexnord Regal Beloit America, Inc.	DRAWN RM 06-15-1992	
				DEC.	INCHES		CHK ML 06-15-1992	APPD RJS 06-17-1992
4	CHG FROM MRATHON TO RRX TEMPLATE PER ECR-0233452	MD 7/25/2024	DS	.X	± .1	TITLE OUTLINE	SCALE 3=8	
3	UPDATED DRAWING	TJW 04/20/2007		.XX	± .03		REF	
2	REDRAWN IN AUTOCAD	TAT 05-09-2005	ML	.XXX	± .005		FMF	
1	NEW DRAWING 3923767	RM 06-17-1992		.XXXX	± .0005		PREV	
NO.	REVISION	BY & DATE	CHK	ANG	± 7'30"	FINISH		
THIS DRAWING IN DESIGN AND DETAIL IS OUR PROPERTY AND MUST NOT BE USED EXCEPT IN CONNECTION WITH OUR WORK ALL RIGHTS OF DESIGN AND INVENTION ARE RESERVED THIS IS AN ELECTRONICALLY GENERATED DOCUMENT - DO NOT SCALE THIS PRINT				RFP		CAD FILE ss75578	SIZE A	
				DIST	WP		DRAWING NO. SS75578	
							PAGE 3 OF 6	
							REV. 4	

DUAL VOLTAGE MOTOR
PERMANENT SPLIT CAPACITOR
WITH OVERLOAD PROTECTION

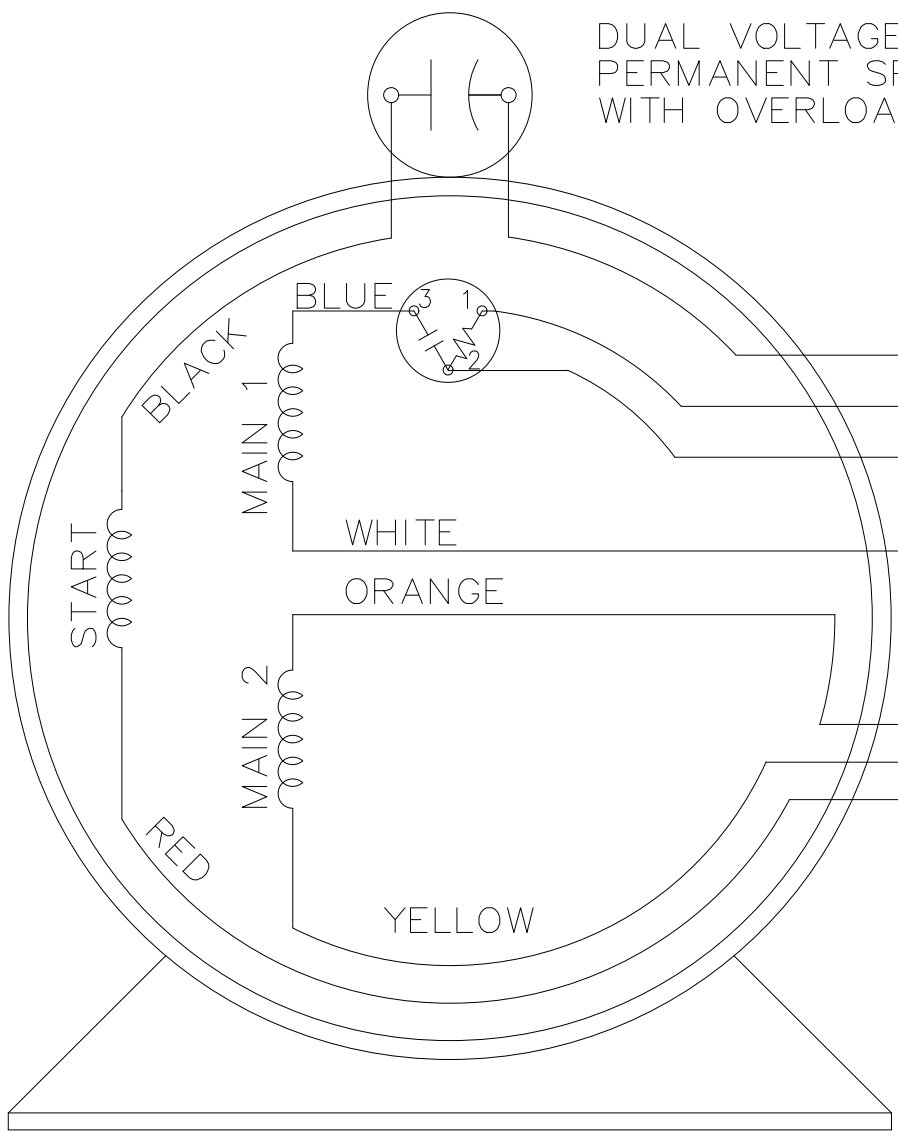
LOW VOLTAGE
CCW ROTATION



HIGH VOLTAGE
CCW ROTATION



TO REVERSE ROTATION, EITHER
VOLTAGE, INTERCHANGE RED WITH BLACK



VIEW OF TERMINAL END

DRAWING REVISION 4	REVISION BY KVDG	REV DATE/ DATE 05/06/2025
REQUEST NUMBER ECR-0242555	APPROVED BY DS	DATE 05/06/2025
REQUEST NUMBER DESCRIPTION UPDATED THE DRAWING TO RRX TEMPLATE.		
<small>COPYRIGHT (PER REVISION DATE) REGAL BELOIT AMERICA, INC. ALL RIGHTS RESERVED. PROPRIETARY AND CONFIDENTIAL INFORMATION - THIS DOCUMENT IS THE PROPERTY OF REGAL BELOIT AMERICA, INC. (OWNER) AND CONTAINS OWNER'S PROPRIETARY INFORMATION. ANY PERSON, CORPORATION OR OTHER FIRM RECEIVING IT IS DEEMED, BY RECEIVING IT, TO AGREE THAT IT, AND/OR ANY PART OF IT, SHALL NOT BE DISCLOSED TO ANY PERSON, CORPORATION OR OTHER ENTITY, DUPLICATED, AND/OR USED, EXCEPT AS EXPRESSLY APPROVED IN WRITING IN ADVANCE BY OWNER. THIS DOCUMENT SHALL BE RETURNED TO OWNER UPON REQUEST. IT MAY BE SUBJECT TO CERTAIN RESTRICTIONS UNDER APPLICABLE EXPORT CONTROL LAWS AND REGULATIONS.</small>		

TOLERANCES (EXCEPT AS NOTED):			
DEC.	.INCH	—mm	ANGLE
.X	±0.1	[±3]	±0.5°
.XX	±0.01	[±0.3]	
.XXX	±0.005	[±0.13]	
.XXXX	±0.0005	[±0.013]	
REMOVE BURRS & BREAK SHARP			
EDGES: .003/.015 [.08/.38] X 45			
CORNER FILLETS: R.02 [.5]			
MACHINED SURFACES: 125/ 3.2/			
		INCH	mm
mm DIMENSIONS IN [BRACKETS]			
ARE FOR REFERENCE ONLY			

DRAWN BY RM
DATE 05-28-1991
APPROVED BY RJS
DATE 05-30-1991
REFERENCE
THIRD ANGLE PROJECTION

Regal Beloit America, Inc.		DESCRIPTION CONNECTION DIAGRAM	
		MAT'L	PROCESS/FINISH
SIZE B	DRAWING NUMBER EE9057N	SHEET 1 OF 1	

CERTIFICATION DATA SHEET

Model#: 48A17T118 D **WINDING#:** PE484274 NONE 3
CONN. DIAGRAM: A-EE9057N **ASSEMBLY:** F1 ONLY
OUTLINE: A-SS75578-650

TYPICAL MOTOR PERFORMANCE DATA

HP	KW	SYNC. RPM	F.L. RPM	FRAME	ENCLOSURE	KVA CODE	DESIGN
1/4	0.19	1800	1625	48Y	TEAO	F	NO DESIGN CODE

PH	Hz	VOLTS	FL AMPS	START TYPE	DUTY	INSL	S.F	AMB°C	ELEVATION
1	60	115/230	3.6/1.8	ACROSS THE LINE	CONTINUOUS	B3	1.0	40	3300

FULL LOAD EFF: 68	3/4 LOAD EFF: 62.9	1/2 LOAD EFF: 53	GTD. EFF	ELEC. TYPE	NO LOAD AMPS
FULL LOAD PF: 87.5	3/4 LOAD PF: 84	1/2 LOAD PF: 78.5	0	PSC 1 SPEED	1.5 / .8

F.L. TORQUE	LOCKED ROTOR AMPS	L.R. TORQUE	B.D. TORQUE	F.L. RISE°C
12.25 LB-FT	12.6 / 6.3	8.5 LB-FT 0	31.9 LB-FT 0	0

SOUND PRESSURE @ 3 FT.	SOUND POWER	ROTOR WK^2	MAX. WK^2	SAFE STALL TIME	STARTS / HOUR	APPROX. MOTOR WGT
- dBA	- dBA	0 LB-FT^2	- LB-FT^2	- SEC.	-	0 LBS.

***** SUPPLEMENTAL INFORMATION *****

DE BRACKET TYPE	ODE BRACKET TYPE	MOUNT TYPE	ORIENTATION	SEVERE DUTY	HAZARDOUS LOCATION	DRIP COVER	SCREENS	PAINT
STANDARD	STANDARD	RESILIENT BASE-EXTENDED STUDS	HORIZONTAL	FALSE	NONE	FALSE	NONE	GRAY (POWDER)

BEARINGS		GREASE	SHAFT TYPE	SPECIAL DE	SPECIAL ODE	SHAFT MATERIAL	FRAME MATERIAL
DE	OPE						
BALL	BALL	MULTEMP SRL	SGL SPL EXT	0.500 x 2.50 IN SEF WITH 2.25 IN FULL FLAT	NONE	1144 STRESSPROOF (C-223)	ROLLED STEEL
6203	6203						

THERMO-PROTECTORS				THERMISTORS	CONTROL	SPACE /n HEATERS
THERMOSTATS	PROTECTORS	WDG RTDs	BRG RTDs			
NONE	AUT LCK RTR ONLY	NONE	NONE	NONE	FALSE	NONE VOLTS

If Inverter equals NONE, contact factory for further information

*
N
O
T
E
S
*

INVERTER TORQUE: NONE
INV. HP SPEED RANGE: NONE
ENCODER: NONE
NONE NONE
NONE NONE PPR
BRAKE: NONE NONE
NONE P/N NONE
NONE NONE
NONE FT-LB NONE V NONE Hz

** Subject to change without notice.