

PRODUCT INFORMATION PACKET



Model No: 048A17T119

Catalog No: X032

General Purpose Farm Duty Motor, 0.50 HP, 1 Ph, 60 Hz, 115/230 V, 1800 RPM, 48Y Frame, TEAO



Regal and LEESON are trademarks of Regal Rexnord Corporation or one of its affiliated companies.
©2025 Regal Rexnord Corporation, All Rights Reserved. MC017097E



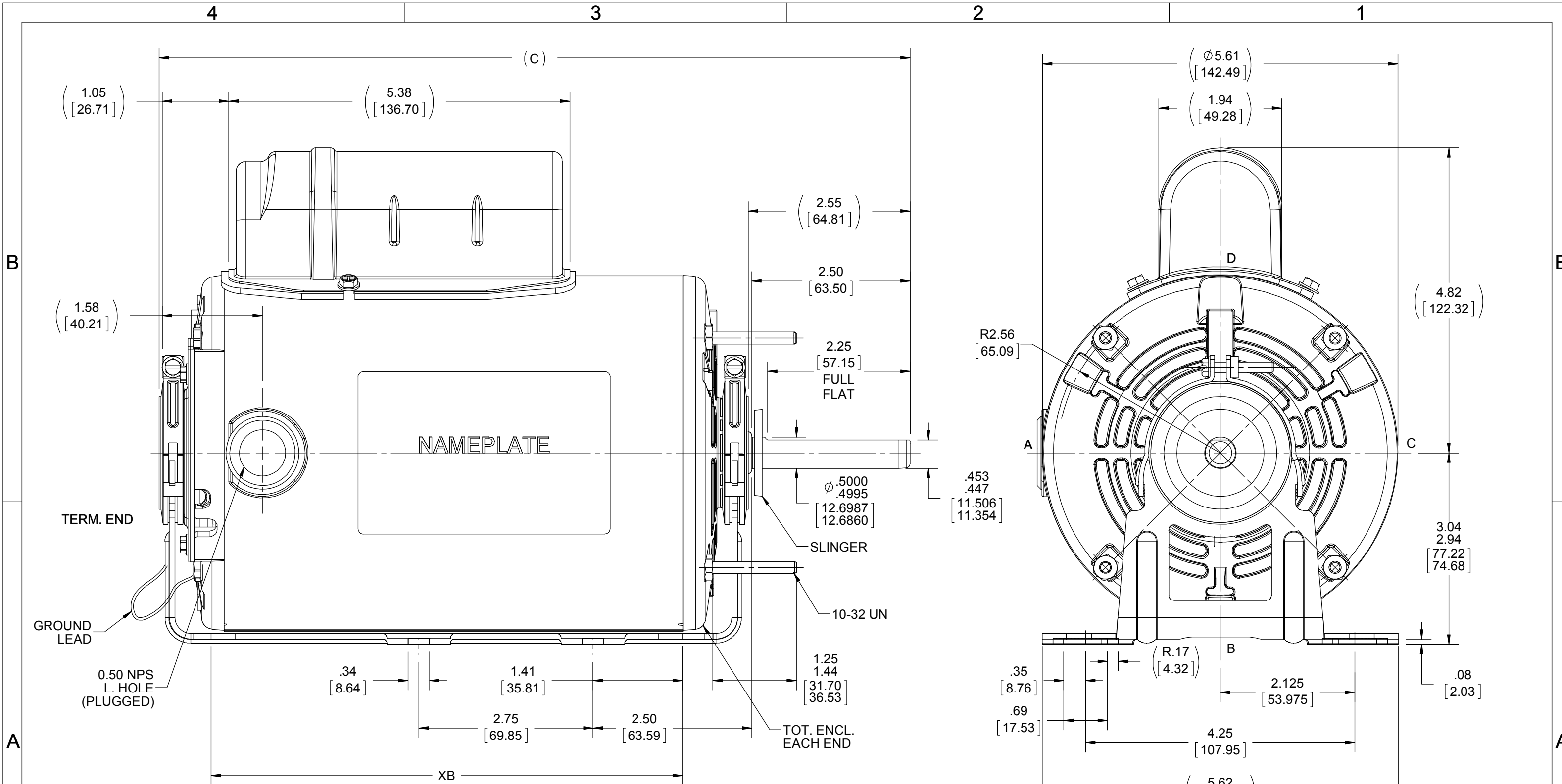


Nameplate Specifications

Phase	1	Output HP	0.50 Hp
Output KW	0.37 kW	Voltage	115/230 V
Speed	1625 rpm	Service Factor	1.0
Frame	48Y	Enclosure	Totally Enclosed Air Over
Thermal Protection	Automatic	Efficiency	72 %
Ambient Temperature	40 °C	Frequency	60 Hz
Current	5.4/2.7 A	Power Factor	93.5
Duty	Continuous	Insulation Class	B
Design Code	NO DESIGN CODE	KVA Code	B
Drive End Bearing Size	6203	Opp Drive End Bearing Size	6203
UL	Recognized	CSA	Y
CE	N	IP Code	43
Number of Speeds	1		

Technical Specifications

Electrical Type	Permanent Split Capacitor	Starting Method	Across The Line
Poles	4	Rotation	Selective Counterclockwise
Resistance Main	0 Ohms	Mounting	Resilient Base - Extended Studs
Motor Orientation	Horizontal	Drive End Bearing	Ball
Opp Drive End Bearing	Ball	Frame Material	Rolled Steel
Shaft Type	Single Special Extension	Overall Length	11.81 in
Frame Length	7.25 in	Shaft Diameter	0.500 in
Shaft Extension	2.56 in	Assembly/Box Mounting	F1 ONLY
Outline Drawing	A-SS404364-725	Connection Drawing	A-EE9057R



NOTES:-
1) NAMEPLATE LOC. @ "A" READ FROM TERM. END.

DRAWING REVISION A	REVISION BY A.SUPPANNAVAR	DATE 02/05/2019
ECO ECO-0161326	APPROVED BY	DATE
ECO DESCRIPTION OUTLINE CONVERSION PROJECT COPYRIGHT REGAL BELOIT AMERICA, INC. ALL RIGHTS RESERVED. PROPRIETARY AND CONFIDENTIAL INFORMATION - THIS DOCUMENT IS THE PROPERTY OF REGAL BELOIT AMERICA, INC. ("OWNER") AND CONTAINS OWNER'S PROPRIETARY INFORMATION. ANY PERSON, CORPORATION OR OTHER FIRM RECEIVING IT IS DEEMED, BY RECEIVING IT, TO AGREE THAT IT, AND/OR ANY PART OF IT, SHALL NOT BE DISCLOSED TO ANY PERSON, CORPORATION OR OTHER ENTITY, DUPLICATED, AND/OR USED, EXCEPT AS EXPRESSLY APPROVED IN WRITING IN ADVANCE BY OWNER. THIS DOCUMENT SHALL BE RETURNED TO OWNER UPON REQUEST. IT MAY BE SUBJECT TO CERTAIN RESTRICTIONS UNDER APPLICABLE EXPORT CONTROL LAWS AND REGULATIONS.		

TOLERANCES UNLESS OTHERWISE SPECIFIED:			
DEC.	INCH	mm	ANGLE
.X	±0.1	[±2.5]	±7° 30"
.XX	±0.03	[±0.76]	
.XXX	±0.005	[±0.127]	
.XXXX	±0.0005	[±0.0127]	
REMOVE BURRS & BREAK SHARP EDGES: .003/.015 [0.076/.381] X 45° CORNER FILLETS: R.02 [0.51] MACHINED SURFACES: 200 INCH/mm 5.1 mm SHOWN IN [BRACKETS]			

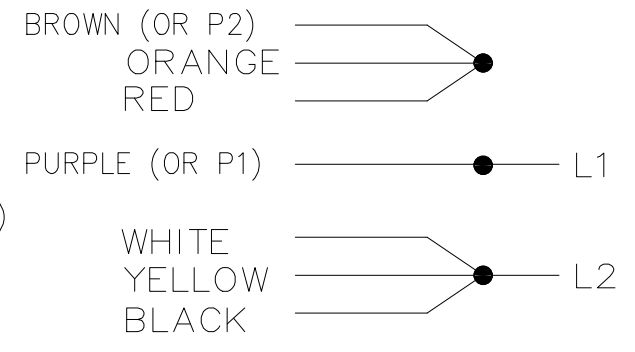
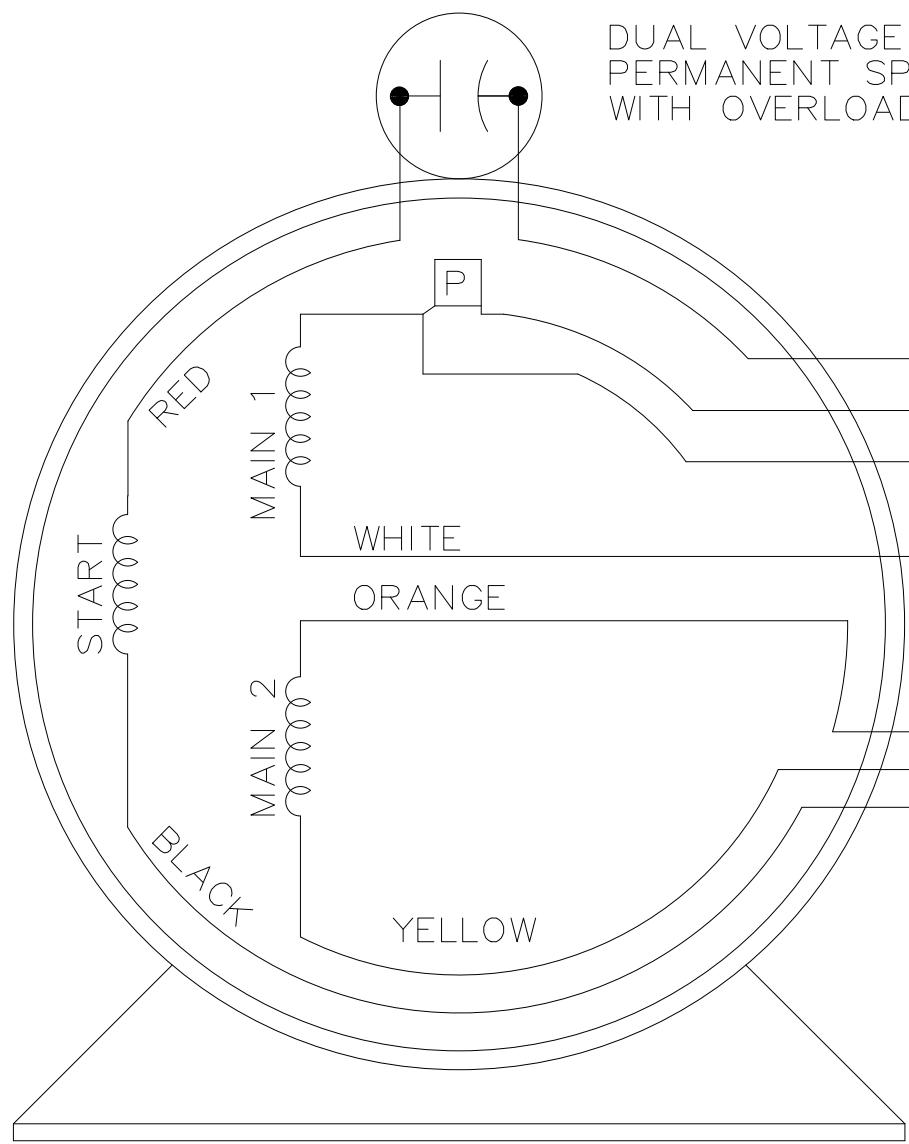
DRAWN BY A.SUPPANNAVAR	DATE 02/05/2019
APPROVED BY D.SURYAWANSHI	DATE 02/06/2019
REFERENCE SS75578	THIRD ANGLE PROJECTION

REGAL ™ Regal Beloit America, Inc.	
DESCRIPTION OUTLINE	PROCESS/FINISH
MATERIAL	DRAWING NUMBER SS404364
SIZE B	SHEET 1 OF 1

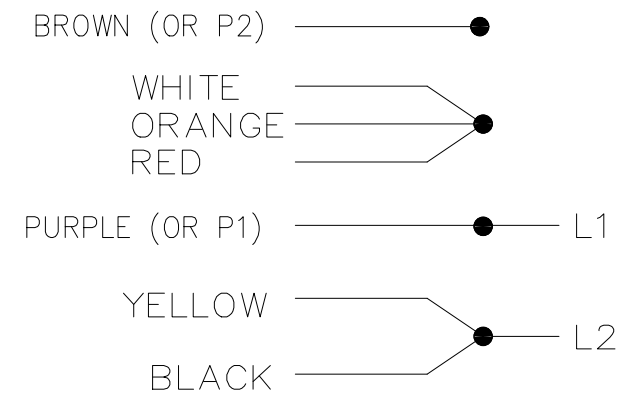
DASH	XB	C
725	7.44 [188.98]	11.85 [300.99]

DUAL VOLTAGE MOTOR
PERMANENT SPLIT CAPACITOR
WITH OVERLOAD PROTECTION

LOW VOLTAGE
CCW ROTATION



HIGH VOLTAGE
CCW ROTATION



TO REVERSE ROTATION, EITHER
VOLTAGE, INTERCHANGE RED WITH BLACK

VIEW OF TERMINAL END

DRAWING REVISION 4	REVISION BY KVDG	REV DATE/ DATE 05/06/2025
REQUEST NUMBER ECR-0242555	APPROVED BY DS	DATE 05/06/2025

REQUEST NUMBER DESCRIPTION
UPDATED THE DRAWING TO RRX TEMPLATE.

COPYRIGHT (PER REVISION DATE) REGAL BELOIT AMERICA, INC. ALL RIGHTS RESERVED. PROPRIETARY AND CONFIDENTIAL INFORMATION - THIS DOCUMENT IS THE PROPERTY OF REGAL BELOIT AMERICA, INC. (OWNER) AND CONTAINS OWNER'S PROPRIETARY INFORMATION. ANY PERSON, CORPORATION OR OTHER FIRM RECEIVING IT IS DEEMED, BY RECEIVING IT, TO AGREE THAT IT, AND/OR ANY PART OF IT, SHALL NOT BE DISCLOSED TO ANY PERSON, CORPORATION OR OTHER ENTITY, DUPLICATED, AND/OR USED, EXCEPT AS EXPRESSLY APPROVED IN WRITING IN ADVANCE BY OWNER. THIS DOCUMENT SHALL BE RETURNED TO OWNER UPON REQUEST. IT MAY BE SUBJECT TO CERTAIN RESTRICTIONS UNDER APPLICABLE EXPORT CONTROL LAWS AND REGULATIONS.

TOLERANCES (EXCEPT AS NOTED):
DEC. INCH mm ANGLE
.X ±0.1 [±3] ±0.5°
.XX ±0.01 [±0.3]
.XXX ±0.005 [±0.13]
.XXXX ±0.0005 [±0.013]
REMOVE BURRS & BREAK SHARP
EDGES: .003/.015 [.08/.38] X 45
CORNER FILLETS: R.02 [.5]
MACHINED SURFACES: 125/ 3.2/
INCH mm
mm DIMENSIONS IN [BRACKETS]
ARE FOR REFERENCE ONLY

DRAWN BY RM
DATE 08-27-1991
APPROVED BY GK
DATE 09-30-1991
REFERENCE
THIRD ANGLE PROJECTION

Regal Rexnord Regal Beloit America, Inc.	
DESCRIPTION CONNECTION DIAGRAM	
MAT'L	PROCESS/FINISH
SIZE B	DRAWING NUMBER A-EE9057R
SHEET 1 OF 1	

CERTIFICATION DATA SHEET

Model#: 48A17T119 D **WINDING#:** PE484278 NONE 3
CONN. DIAGRAM: A-EE9057R **ASSEMBLY:** F1 ONLY
OUTLINE: A-SS75578-725

TYPICAL MOTOR PERFORMANCE DATA

HP	KW	SYNC. RPM	F.L. RPM	FRAME	ENCLOSURE	KVA CODE	DESIGN
1/2	.37	1800	1625	48Y	TEAO	B	NO DESIGN CODE

PH	Hz	VOLTS	FL AMPS	START TYPE	DUTY	INSL	S.F	AMB°C	ELEVATION
1	60	115/230	5.4/2.7	ACROSS THE LINE	CONTINUOUS	B3	1.0	40	3300

FULL LOAD EFF: 72.0	3/4 LOAD EFF: 70	1/2 LOAD EFF: 62	GTD. EFF	ELEC. TYPE	NO LOAD AMPS
FULL LOAD PF: -	3/4 LOAD PF: 96.1	1/2 LOAD PF: 93.2	0	PSC 1 SPEED	1.5 / .8

F.L. TORQUE	LOCKED ROTOR AMPS	L.R. TORQUE	B.D. TORQUE	F.L. RISE°C
25.7 LB-FT	15.5 / 7.7	17.8 LB-FT 69	46.1 LB-FT 179	-

SOUND PRESSURE @ 3 FT.	SOUND POWER	ROTOR WK^2	MAX. WK^2	SAFE STALL TIME	STARTS / HOUR	APPROX. MOTOR WGT
0 dBA	10 dBA	- LB-FT^2	0 LB-FT^2	0 SEC.	0	- LBS.

***** SUPPLEMENTAL INFORMATION *****

DE BRACKET TYPE	ODE BRACKET TYPE	MOUNT TYPE	ORIENTATION	SEVERE DUTY	HAZARDOUS LOCATION	DRIP COVER	SCREENS	PAINT
STANDARD	STANDARD	RESILIENT BASE-EXTENDED STUDS	HORIZONTAL	FALSE	NONE	FALSE	NONE	GRAY (POWDER)

BEARINGS		GREASE	SHAFT TYPE	SPECIAL DE	SPECIAL ODE	SHAFT MATERIAL	FRAME MATERIAL
DE	OPE						
BALL	BALL	MULTEMP SRL	SGL SPL EXT	0.500 x 2.50 IN SEF WITH 2.25 IN FULL FLAT	NONE	1144 STRESSPROOF (C-223)	ROLLED STEEL
6203	6203						

THERMO-PROTECTORS				THERMISTORS	CONTROL	SPACE /n HEATERS
THERMOSTATS	PROTECTORS	WDG RTDs	BRG RTDs			
NONE	AUT LCK RTR ONLY	NONE	NONE	NONE	FALSE	NONE VOLTS

If Inverter equals NONE, contact factory for further information

*
N
O
T
E
S
*

INVERTER TORQUE: NONE
INV. HP SPEED RANGE: NONE
ENCODER: NONE
NONE NONE
NONE NONE PPR
BRAKE: NONE NONE
NONE P/N NONE
NONE NONE
NONE FT-LB NONE V NONE Hz

** Subject to change without notice.



REGAL REXNORD CORPORATION
TYPICAL PERFORMANCE CURVE for AC MOTOR

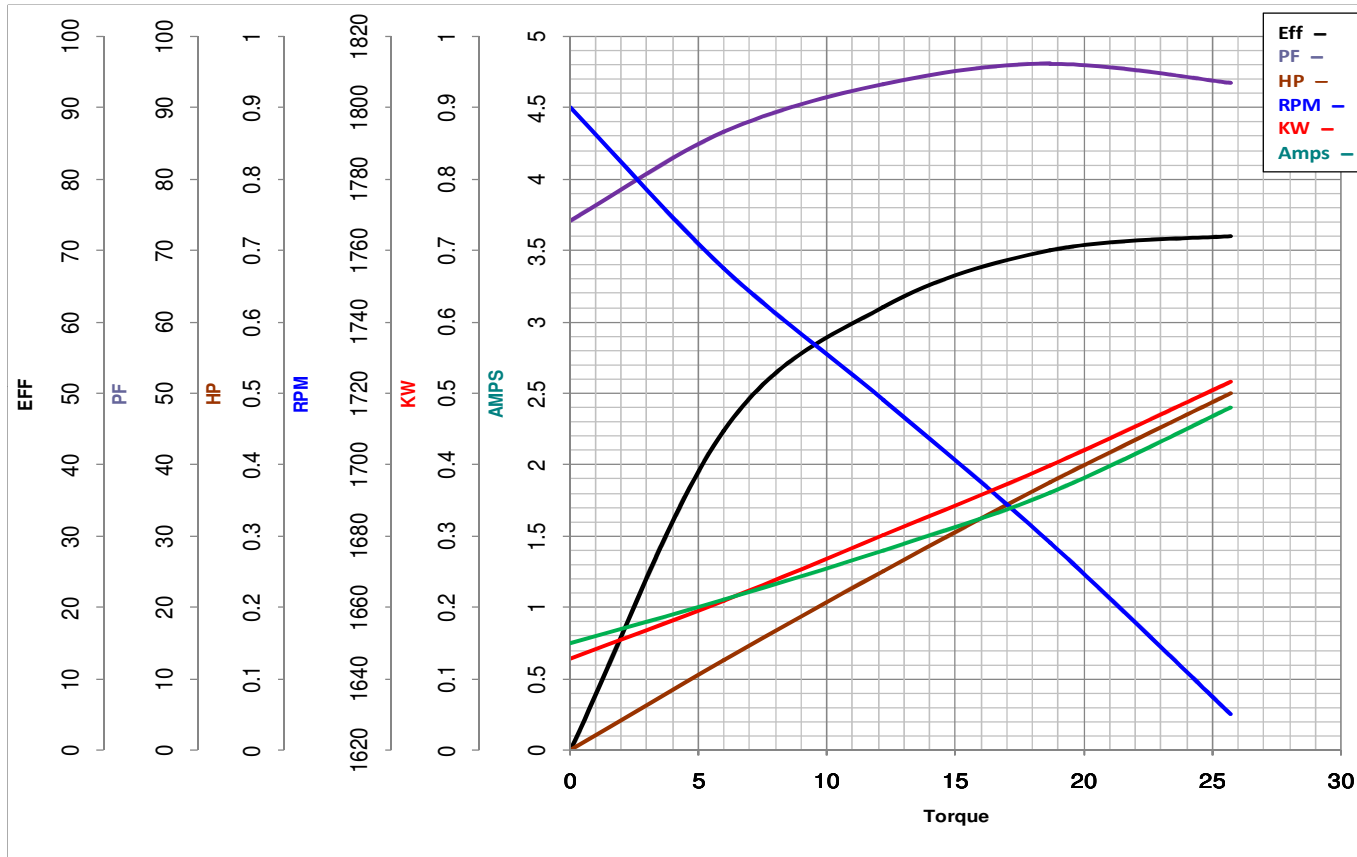
Customer

Curve at 230 Volts HP 0.50 PHASE 1
60 HZ
0.5 HP VOLTS 115/230

Model No 48A17T119

Catalog No X032

HZ 60 RPM 1625



Torque in Oz.Ft

FL TORQUE 25.7 Oz.Ft
BD TORQUE 46.1 Oz.Ft
LR TORQUE 17.8 Oz.Ft

FL AMPS 5.4/2.7
PU TORQUE 16.4 Oz.Ft
LR AMPS 7.74

WINDING PE484278-3

Date 1/4/2019