

PRODUCT INFORMATION PACKET



Model No: 048A17T2002

Catalog No: X024

General Purpose Farm Duty Motor, 0.25 HP, 1 Ph, 60 Hz, 115/230 V, 1800 RPM, 48Z Frame, TEAO



Regal and LEESON are trademarks of Regal Rexnord Corporation or one of its affiliated companies.

©2025 Regal Rexnord Corporation, All Rights Reserved. MC017097E



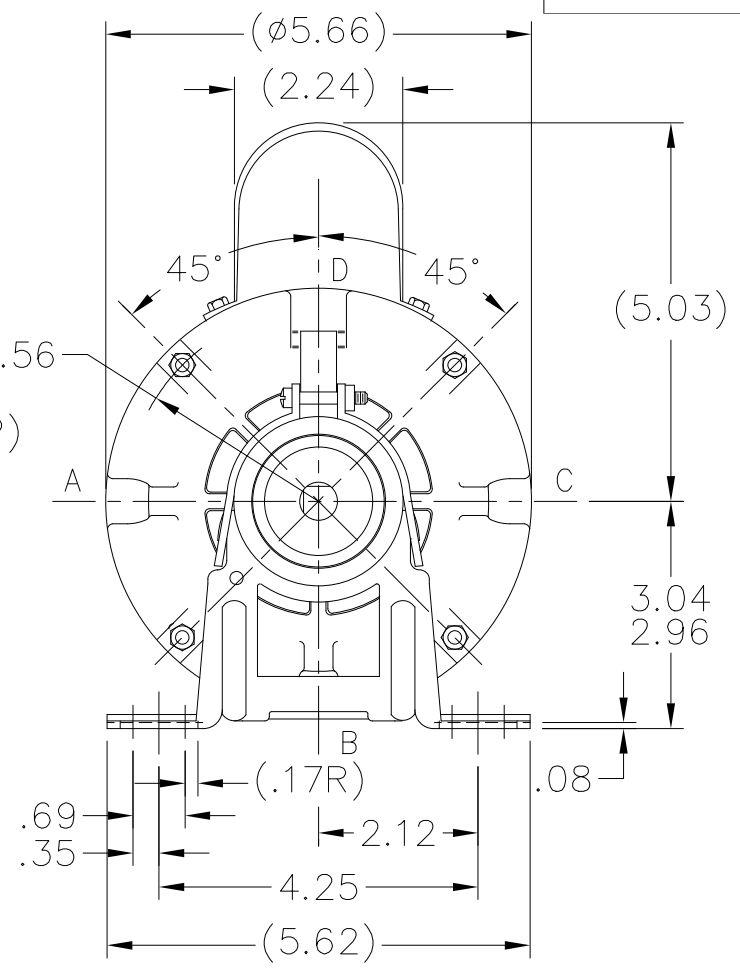
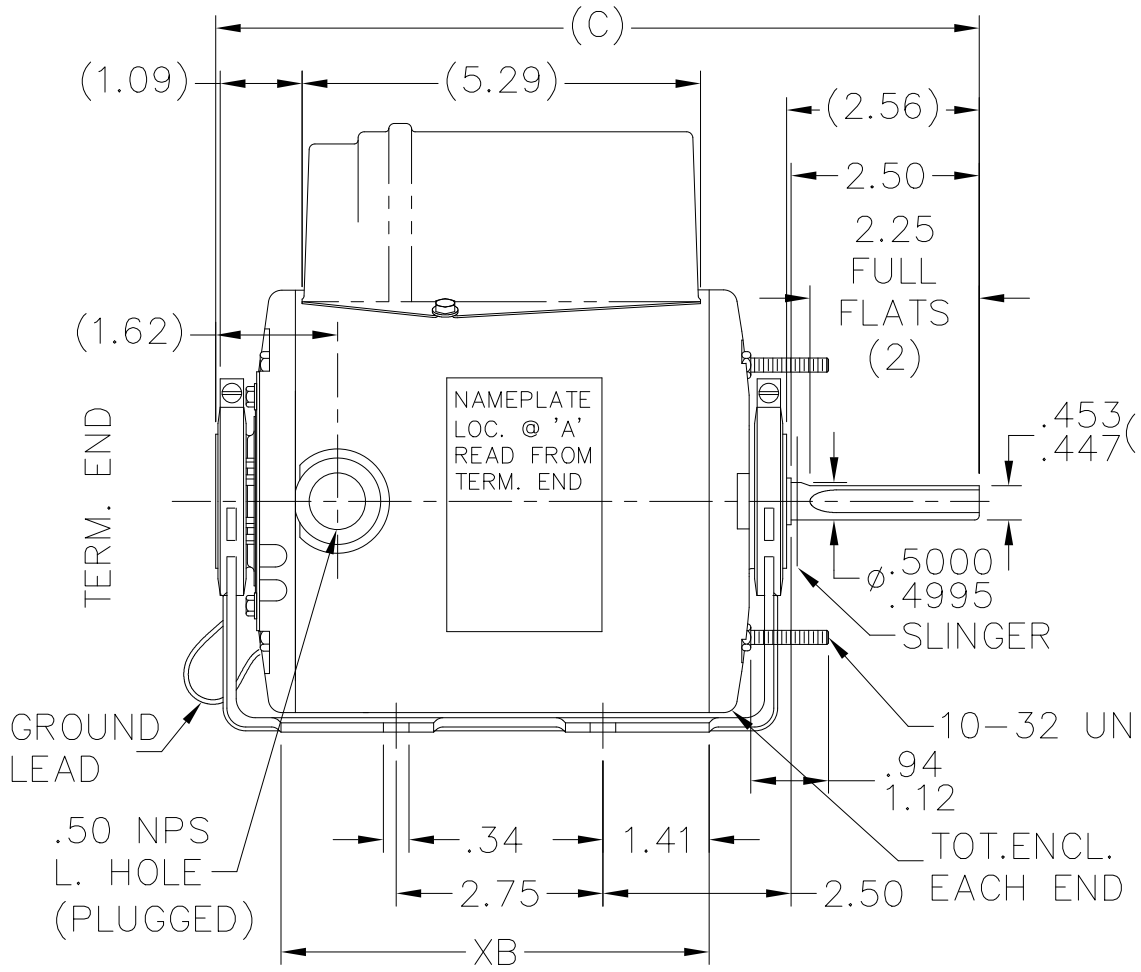


Nameplate Specifications

| | | | |
|------------------------|----------------|----------------------------|---------------------------|
| Phase | 1 | Output HP | 0.25 Hp |
| Output KW | 0.19 kW | Voltage | 115/230 V |
| Speed | 1625 rpm | Service Factor | 1.0 |
| Frame | 48Z | Enclosure | Totally Enclosed Air Over |
| Thermal Protection | Automatic | Efficiency | 65.3 % |
| Ambient Temperature | 40 °C | Frequency | 60 Hz |
| Current | 3.0/1.5 A | Power Factor | 84.6 |
| Duty | Continuous | Insulation Class | B |
| Design Code | NO DESIGN CODE | KVA Code | J |
| Drive End Bearing Size | 6203 | Opp Drive End Bearing Size | 6203 |
| UL | Recognized | CSA | Y |
| CE | N | IP Code | 43 |
| Number of Speeds | 1 | | |

Technical Specifications

| | | | |
|-----------------------|---------------------------|-----------------------|---------------------------------|
| Electrical Type | Permanent Split Capacitor | Starting Method | Across The Line |
| Poles | 4 | Rotation | Selective Counterclockwise |
| Resistance Main | 0 Ohms | Mounting | Resilient Base - Extended Studs |
| Motor Orientation | Horizontal | Drive End Bearing | Ball |
| Opp Drive End Bearing | Ball | Frame Material | Rolled Steel |
| Shaft Type | Single Special Extension | Overall Length | 10.09 in |
| Frame Length | 5.50 in | Shaft Diameter | 0.500 in |
| Shaft Extension | 2.56 in | Assembly/Box Mounting | F1 ONLY |
| Outline Drawing | A-SS75967-550 | Connection Drawing | A-EE9057T |

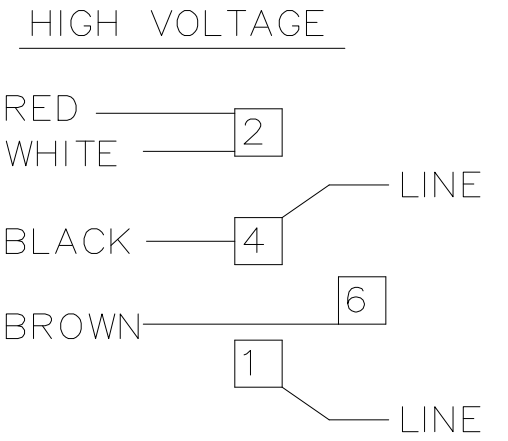
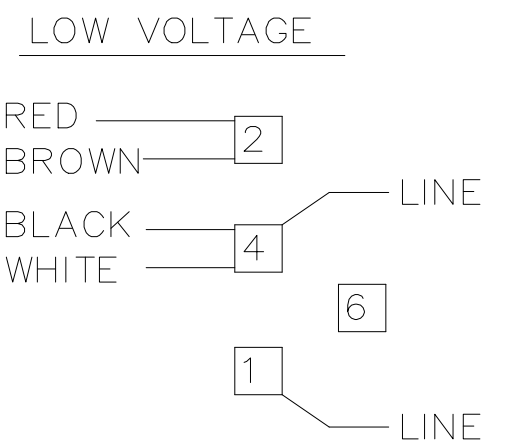
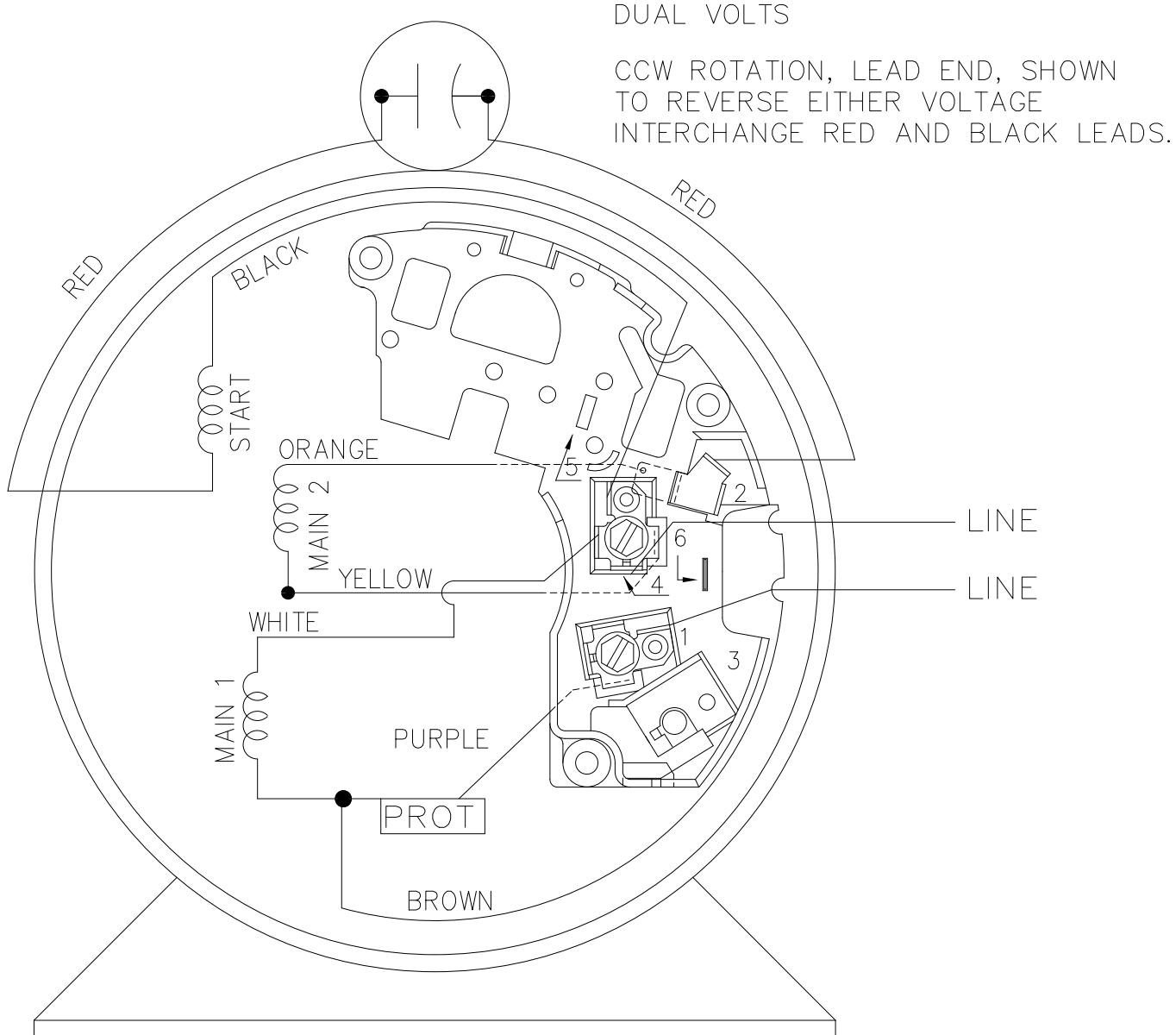


TOTALLY ENCLOSED MOTOR
FULLY GASKETED

| DASH | FR | XB | C |
|------|----|------|-------|
| 550 | 48 | 5.69 | 10.09 |
| 625 | 48 | 6.44 | 10.84 |

| NO. | REVISION | BY & DATE | CHK | TOLERANCES UNLESS SPECIFIED | | Regal Rexnord Regal Beloit America, Inc. | DRAWN DD 01-14-1994 | | | |
|--|---|----------------|-----|-----------------------------|------------------|--|---------------------|---------------------|-----------|--------|
| | | | | DEC. | INCHES | | | CHK ML 01-17-1994 | | |
| 4 | CHG FROM MARATHON TO RRX TEMPLATE PER ECR-0233453 | MD 5/7/2024 | DS | .X | ±.1 | TITLE OUTLINE | APPD SHT 01-17-1994 | | | |
| 3 | UPDATED DRAWING | TJW 04/23/2007 | | .XX | ±.03 | | SCALE 3=8 | | | |
| 2 | REDRAWN IN AUTOCAD | TAT 05-09-2005 | ML | .XXX | ±.005 | MAT'L. | REF | | | |
| 1 | NEW DRAWING 4109227 | DD 01-21-1994 | | .XXXX | ±.0005 | | FMF | | | |
| | | | | ANG | ±7'30" | FINISH | PREV | | | |
| THIS DRAWING IN DESIGN AND DETAIL IS OUR PROPERTY AND MUST NOT BE USED EXCEPT IN CONNECTION WITH OUR WORK ALL RIGHTS OF DESIGN AND INVENTION ARE RESERVED THIS IS AN ELECTRONICALLY GENERATED DOCUMENT - DO NOT SCALE THIS PRINT | | | | RFP | CAD FILE ss75967 | | SIZE A | DRAWING NO. SS75967 | PAGE OF 4 | REV. 4 |
| | | | | DIST WP | | | | | 3 of 7 | |

4 3 2 1



VIEW OF TERMINAL END

| | | | | | |
|---|---------------------|--------------------------------|--|--------------------|-----------------------------------|
| DRAWING REVISION 4 | REVISION BY KVDG | REV DATE/ © DATE 05/06/2025 | TOLERANCES (EXCEPT AS NOTED): DEC. INCH — mm ANGLE .X ±0.1 [±3] ±0.5° .XX ±0.01 [±0.3] .XXX ±0.005 [±0.13] .XXXX ±0.0005 [±0.013] | DRAWN BY RM | Regal Beloit America, Inc. |
| REQUEST NUMBER ECR-0242555 | APPROVED BY DS | DATE 05/06/2025 | REMOVE BURRS & BREAK SHARP EDGES: .003/.015 [.08/.38] X 45 CORNER FILLETS: R.02 [.5] | DATE 02-21-1992 | |
| REQUEST NUMBER DESCRIPTION UPDATED THE DRAWING TO RRX TEMPLATE. | | | MACHINED SURFACES: 125/ 3.2/ mm ✓ INCH | APPROVED BY GK | DESCRIPTION CONNECTION DIAGRAM |
| <small>COPYRIGHT (PER REVISION DATE) REGAL BELOIT AMERICA, INC. ALL RIGHTS RESERVED. PROPRIETARY AND CONFIDENTIAL INFORMATION - THIS DOCUMENT IS THE PROPERTY OF REGAL BELOIT AMERICA, INC. (OWNER) AND CONTAINS OWNER'S PROPRIETARY INFORMATION. ANY PERSON, CORPORATION OR OTHER FIRM RECEIVING IT IS DEEMED, BY RECEIVING IT, TO AGREE THAT IT, AND/OR ANY PART OF IT, SHALL NOT BE DISCLOSED TO ANY PERSON, CORPORATION OR OTHER ENTITY, DUPLICATED, AND/OR USED, EXCEPT AS EXPRESSLY APPROVED IN WRITING IN ADVANCE BY OWNER. THIS DOCUMENT SHALL BE RETURNED TO OWNER UPON REQUEST. IT MAY BE SUBJECT TO CERTAIN RESTRICTIONS UNDER APPLICABLE EXPORT CONTROL LAWS AND REGULATIONS.</small> | | | THIRD ANGLE PROJECTION | DATE 02-23-1992 | MAT'L |
| | | | mm DIMENSIONS IN [BRACKETS] ARE FOR REFERENCE ONLY | REFERENCE | PROCESS/FINISH |
| | | | | SIZE B | DRAWING NUMBER EE9057T |
| | | | | | SHEET 1 OF 1 |

4 3 2 1

FORM 3531 REV.3 02/07/99
** Subject to change without notice.



REGAL REXNORD CORPORATION
TYPICAL PERFORMANCE CURVE for AC MOTOR

Customer

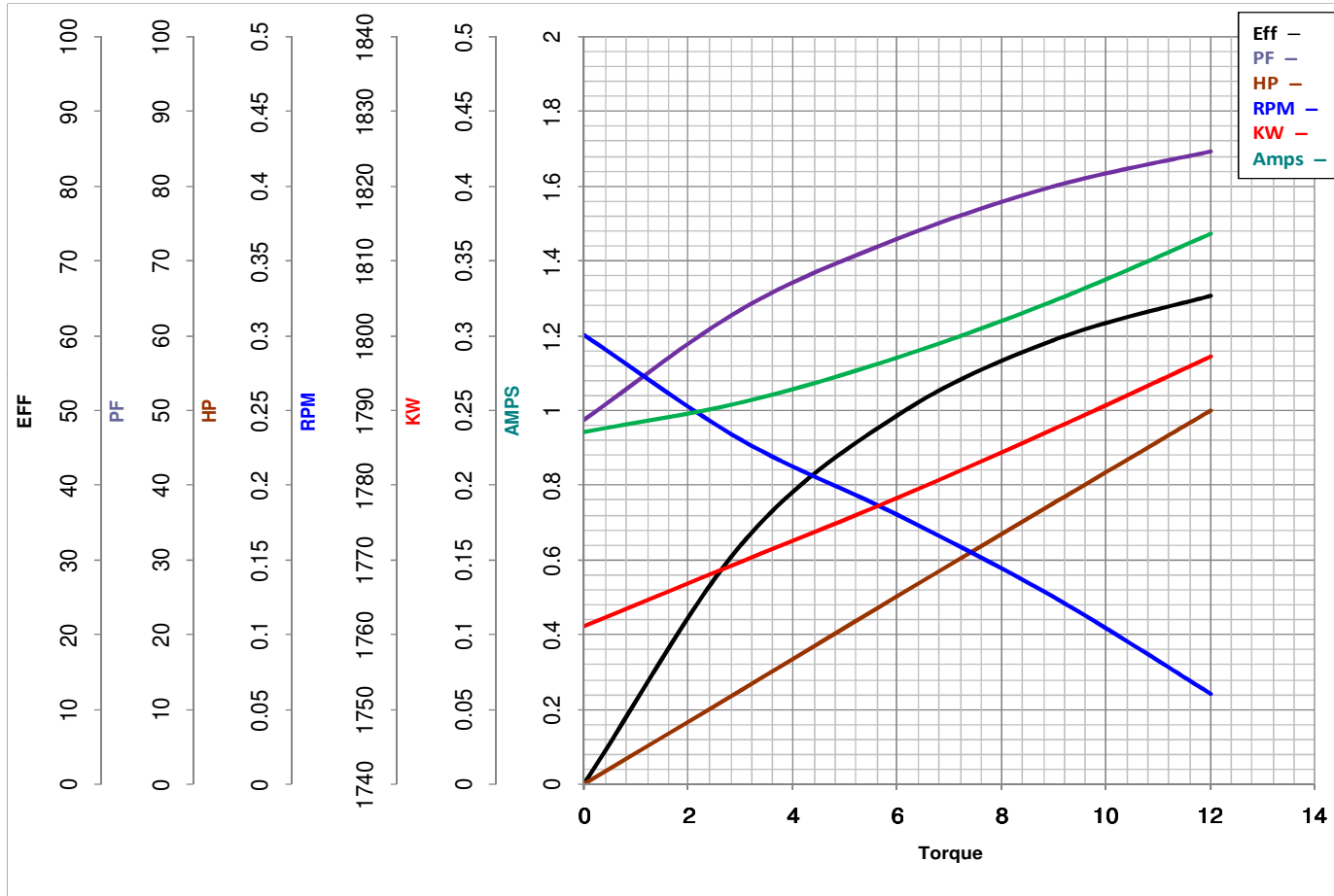
Curve at 230 Volts HP 0.25 PHASE 1
60 HZ
0.25 HP VOLTS 115/230

Model No 48A17T2002

Catalog No X024

HZ 60

RPM 1625



Torque in Oz.Ft

FL TORQUE 12 Oz.Ft
BD TORQUE 40.6 Oz.Ft
LR TORQUE 7.72 Oz.Ft

FL AMPS 2.95/1.45
PU TORQUE 6.8 Oz.Ft
LR AMPS 8.34

WINDING PE484319-3

Date 1/4/2019

REV 1 - CHANGED LOGO FROM MARATHON TO LEESON - 3/25/2025