

PRODUCT INFORMATION PACKET



Model No: 048A17T2003

Catalog No: X025

General Purpose Farm Duty Motor, 0.33 HP, 1 Ph, 60 Hz, 115/230 V, 1800 RPM, 48Z Frame, TEAO



Regal and LEESON are trademarks of Regal Rexnord Corporation or one of its affiliated companies.
©2025 Regal Rexnord Corporation, All Rights Reserved. MC017097E



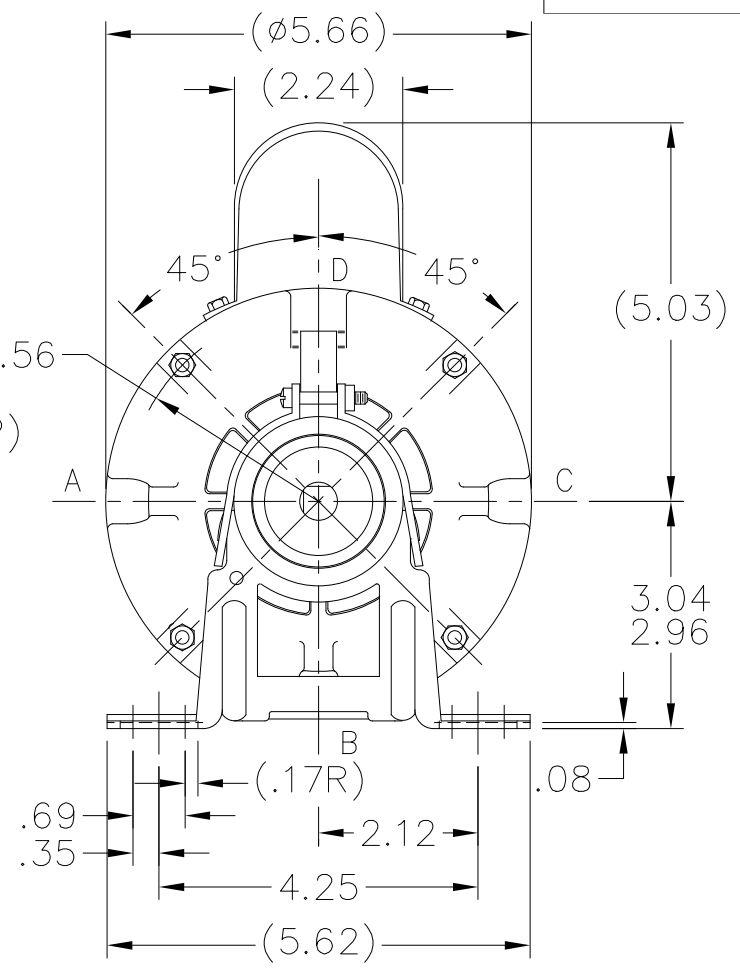
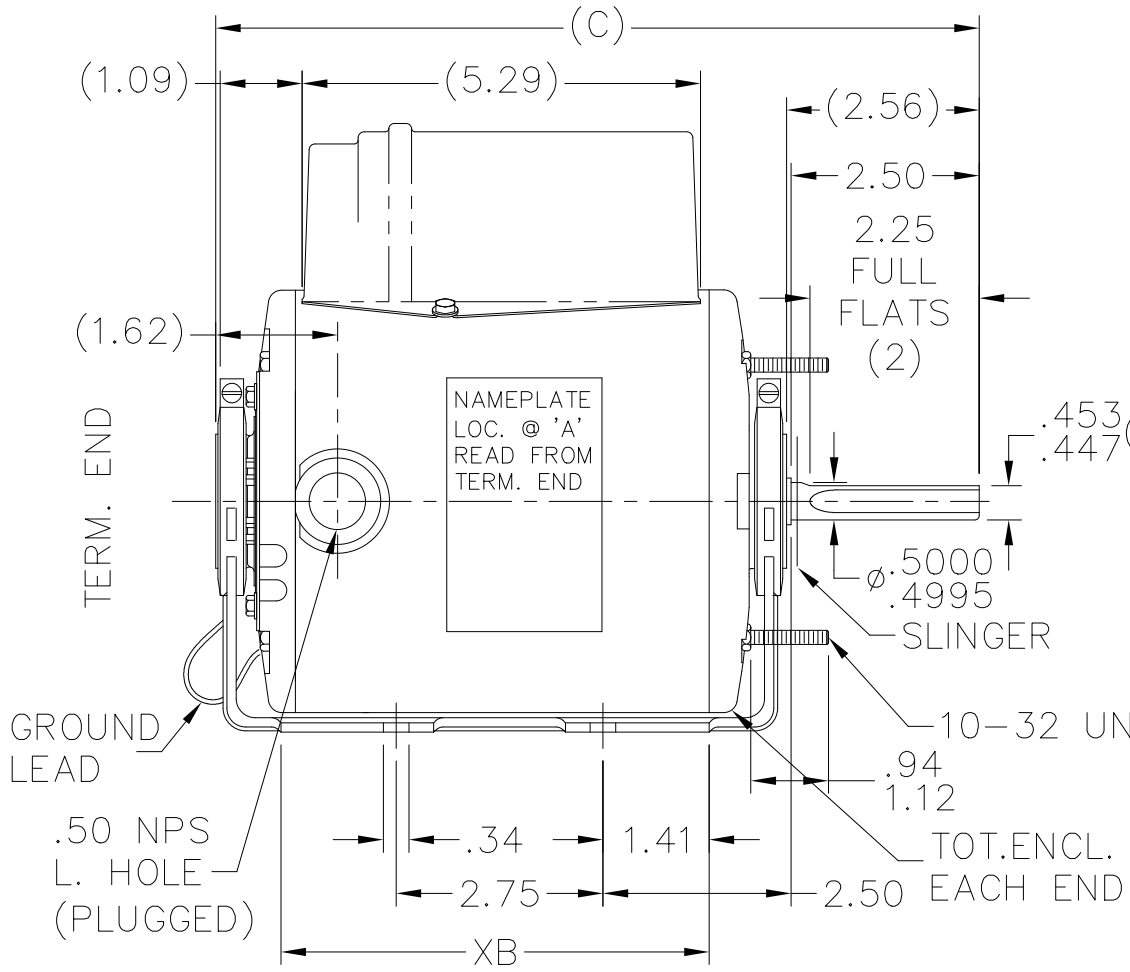


Nameplate Specifications

Phase	1	Output HP	0.33 Hp
Output KW	0.25 kW	Voltage	115/230 V
Speed	1625 rpm	Service Factor	1.0
Frame	48Z	Enclosure	Totally Enclosed Air Over
Thermal Protection	Automatic	Efficiency	68.5 %
Ambient Temperature	40 °C	Frequency	60 Hz
Current	4.2/2.1 A	Power Factor	71.9
Duty	Continuous	Insulation Class	B
Design Code	NO DESIGN CODE	KVA Code	G
Drive End Bearing Size	6203	Opp Drive End Bearing Size	6203
UL	Recognized	CSA	Y
CE	N	IP Code	43
Number of Speeds	1		

Technical Specifications

Electrical Type	Permanent Split Capacitor	Starting Method	Across The Line
Poles	4	Rotation	Selective Counterclockwise
Resistance Main	0 Ohms	Mounting	Resilient Base - Extended Studs
Motor Orientation	Horizontal	Drive End Bearing	Ball
Opp Drive End Bearing	Ball	Frame Material	Rolled Steel
Shaft Type	Single Special Extension	Overall Length	10.09 in
Frame Length	5.50 in	Shaft Diameter	0.500 in
Shaft Extension	2.56 in	Assembly/Box Mounting	F1 ONLY
Outline Drawing	A-SS75967-550	Connection Drawing	A-EE9057T

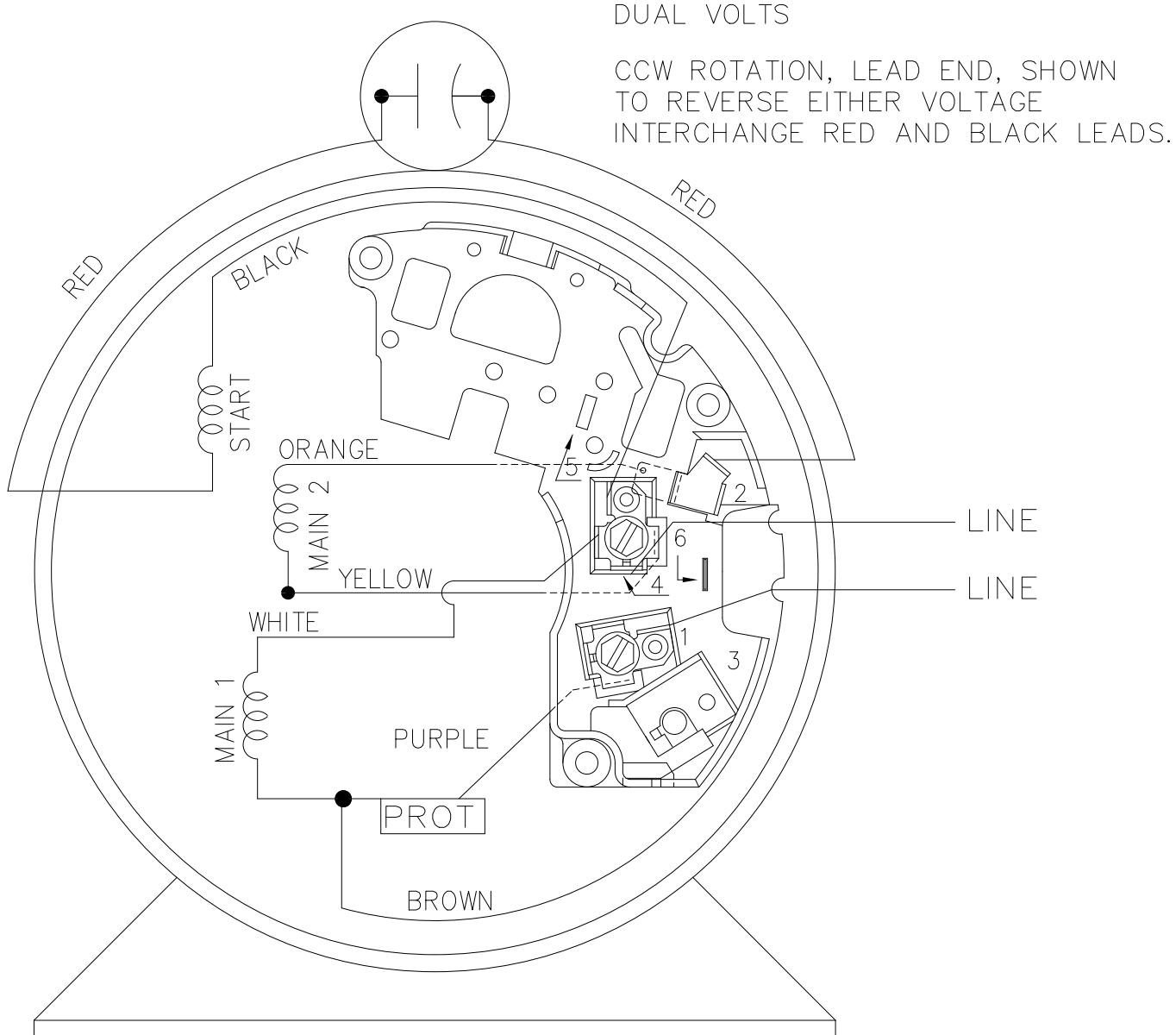


TOTALLY ENCLOSED MOTOR
FULLY GASKETED

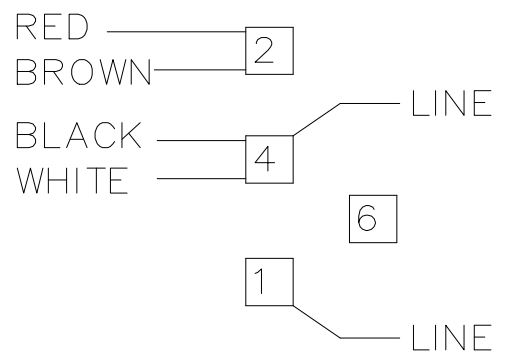
DASH	FR	XB	C
550	48	5.69	10.09
625	48	6.44	10.84

NO.	REVISION	BY & DATE	CHK	TOLERANCES UNLESS SPECIFIED		Regal Rexnord Regal Beloit America, Inc.	DRAWN DD 01-14-1994			
				DEC.	INCHES			CHK ML 01-17-1994		
4	CHG FROM MARATHON TO RRX TEMPLATE PER ECR-0233453	MD 5/7/2024	DS	.X	±.1	TITLE OUTLINE	APPD SHT 01-17-1994			
3	UPDATED DRAWING	TJW 04/23/2007		.XX	±.03		SCALE 3=8			
2	REDRAWN IN AUTOCAD	TAT 05-09-2005	ML	.XXX	±.005	MAT'L.	REF			
1	NEW DRAWING 4109227	DD 01-21-1994		.XXXX	±.0005		FMF			
				ANG	±7'30"	FINISH	PREV			
THIS DRAWING IN DESIGN AND DETAIL IS OUR PROPERTY AND MUST NOT BE USED EXCEPT IN CONNECTION WITH OUR WORK ALL RIGHTS OF DESIGN AND INVENTION ARE RESERVED THIS IS AN ELECTRONICALLY GENERATED DOCUMENT - DO NOT SCALE THIS PRINT				RFP	CAD FILE ss75967		SIZE A	DRAWING NO. SS75967	PAGE OF 4	REV. 4
				DIST WP	3 of 7					

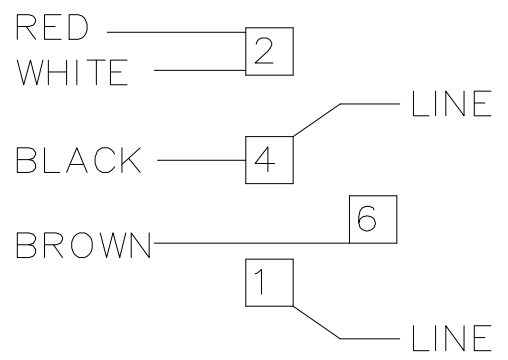
4 3 2 1



LOW VOLTAGE



HIGH VOLTAGE



VIEW OF TERMINAL END

DRAWING REVISION 4	REVISION BY KVDG	REV DATE/ © DATE 05/06/2025	TOLERANCES (EXCEPT AS NOTED): DEC. INCH —mm ANGLE .X ±0.1 [±3] ±0.5° .XX ±0.01 [±0.3] .XXX ±0.005 [±0.13] .XXXX ±0.0005 [±0.013]	DRAWN BY RM	Regal Beloit America, Inc.		
REQUEST NUMBER ECR-0242555	APPROVED BY DS	DATE 05/06/2025	REMOVE BURRS & BREAK SHARP EDGES: .003/.015 [.08/.38] X 45 CORNER FILLETS: R.02 [.5]	DATE 02-21-1992			
REQUEST NUMBER DESCRIPTION UPDATED THE DRAWING TO RRX TEMPLATE.				APPROVED BY GK	DESCRIPTION CONNECTION DIAGRAM		
<small>COPYRIGHT (PER REVISION DATE) REGAL BELOIT AMERICA, INC. ALL RIGHTS RESERVED. PROPRIETARY AND CONFIDENTIAL INFORMATION - THIS DOCUMENT IS THE PROPERTY OF REGAL BELOIT AMERICA, INC. (OWNER) AND CONTAINS OWNER'S PROPRIETARY INFORMATION. ANY PERSON, CORPORATION OR OTHER FIRM RECEIVING IT IS DEEMED, BY RECEIVING IT, TO AGREE THAT IT, AND/OR ANY PART OF IT, SHALL NOT BE DISCLOSED TO ANY PERSON, CORPORATION OR OTHER ENTITY, DUPLICATED, AND/OR USED, EXCEPT AS EXPRESSLY APPROVED IN WRITING IN ADVANCE BY OWNER. THIS DOCUMENT SHALL BE RETURNED TO OWNER UPON REQUEST. IT MAY BE SUBJECT TO CERTAIN RESTRICTIONS UNDER APPLICABLE EXPORT CONTROL LAWS AND REGULATIONS.</small>				DATE 02-23-1992			
			MACHINED SURFACES: 125/ 3.2/ INCH mm/	REFERENCE	MAT'L	PROCESS/FINISH	
			mm DIMENSIONS IN [BRACKETS] ARE FOR REFERENCE ONLY	THIRD ANGLE PROJECTION	SIZE B	DRAWING NUMBER EE9057T	SHEET 1 OF 1

4 3 2 1

FORM 3531 REV.3 02/07/99
** Subject to change without notice.



REGAL REXNORD CORPORATION
TYPICAL PERFORMANCE CURVE for AC MOTOR

Customer

Curve at 230 Volts
60 HZ
0.33 HP

HP 0.33

PHASE 1

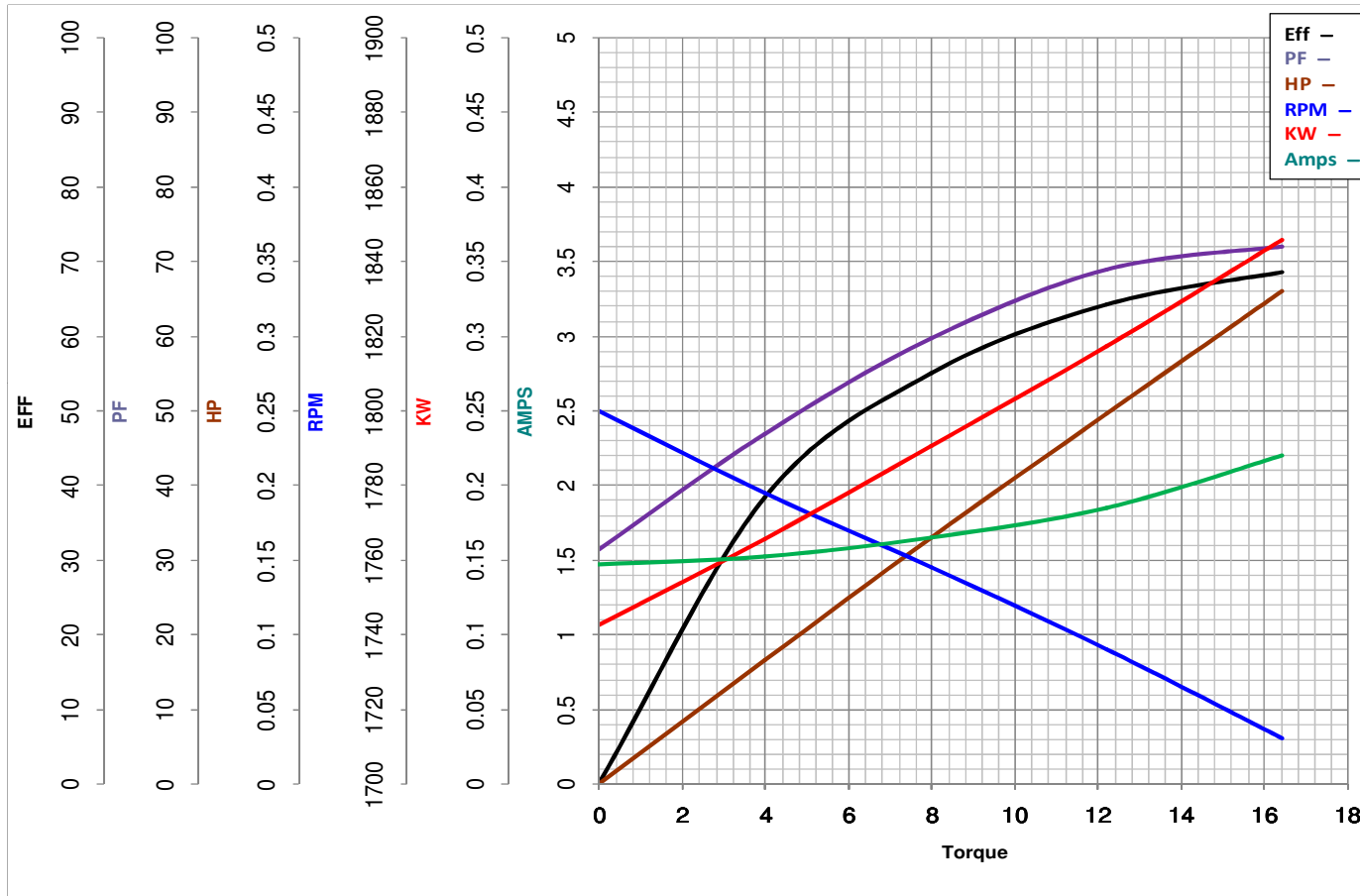
Model No 48A17T2003

VOLTS 115/230

Catalog No X025

HZ 60

RPM 1625



Torque in Oz.Ft

FL TORQUE 16.4 Oz.Ft
BD TORQUE 42.4 Oz.Ft
LR TORQUE 9.57 Oz.Ft

FL AMPS 4.15/2.1
PU TORQUE 8.8 Oz.Ft
LR AMPS 8.4

WINDING PE484302-3

Date 1/4/2019