

PRODUCT INFORMATION PACKET



Model No: 048C34S24

Catalog No: O012

Fan and Blower Motor, 0.20 HP, 1 Ph, 60 Hz, 115/230 V, 3600 RPM, 48N Frame, SEMI ENCLOSED



Regal and LEESON are trademarks of Regal Rexnord Corporation or one of its affiliated companies.

©2025 Regal Rexnord Corporation, All Rights Reserved. MC017097E





Nameplate Specifications

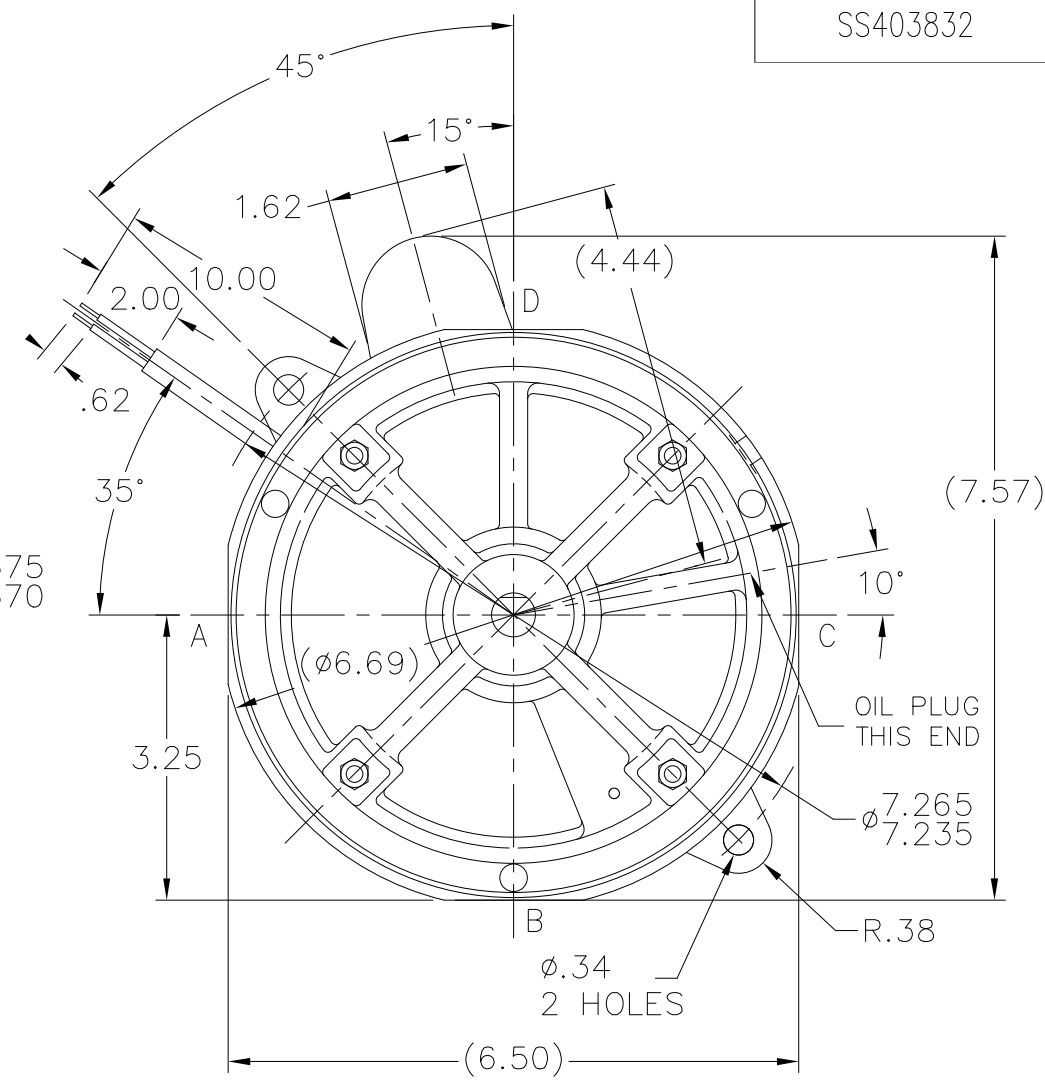
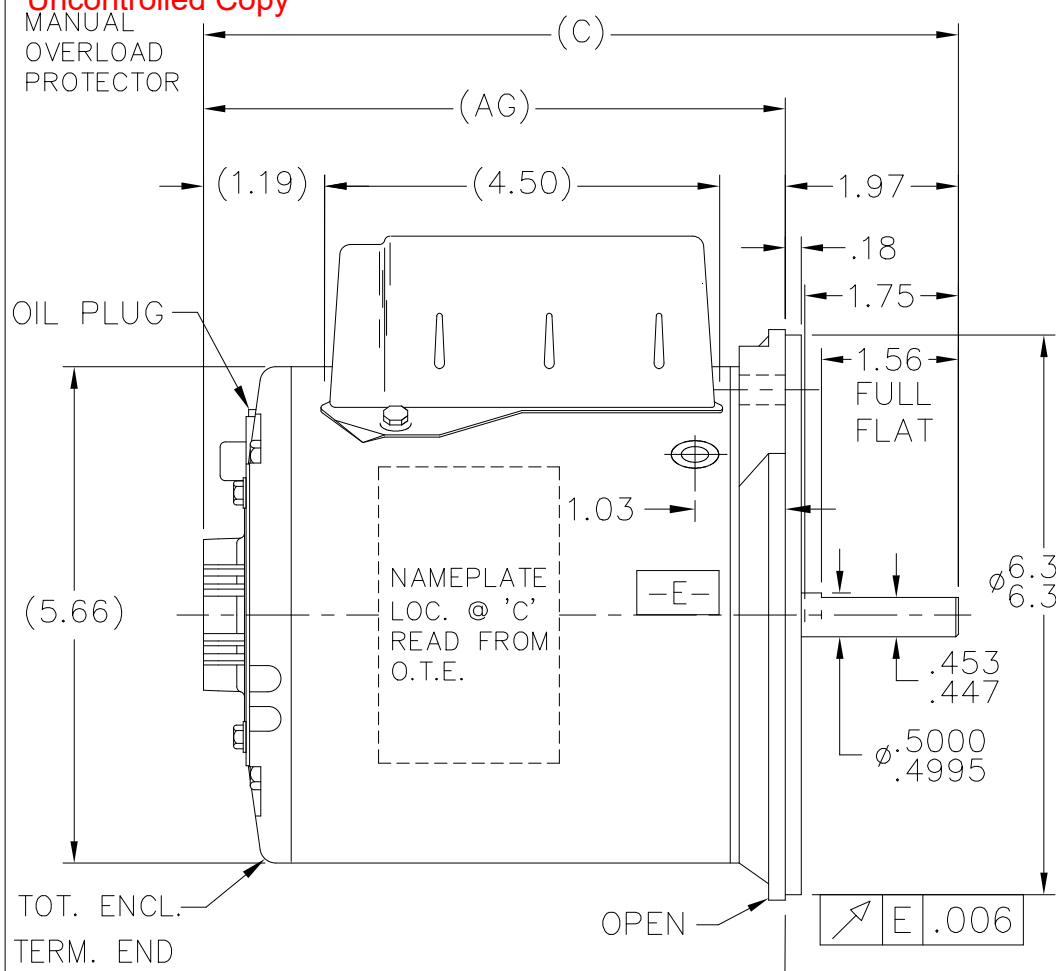
Phase	1	Output HP	0.20 Hp
Output KW	0.15 kW	Voltage	115/230 V
Speed	3450 rpm	Service Factor	1.0
Frame	48N	Enclosure	Semi Enclosed
Thermal Protection	Manual	Efficiency	61.0 %
Ambient Temperature	40 °C	Frequency	60 Hz
Current	3.0/1.5 A	Power Factor	77.3
Duty	Continuous	Insulation Class	B
Design Code	NO DESIGN CODE	KVA Code	L
Drive End Bearing Size	6203	Opp Drive End Bearing Size	6203
UL	Recognized	CSA	Y
CE	N	IP Code	10
Number of Speeds	1		

Technical Specifications

Electrical Type	Capacitor Start Induction Run	Starting Method	Across The Line
Poles	2	Rotation	Selective Clockwise
Mounting	Round	Motor Orientation	Horizontal
Drive End Bearing	Ball	Opp Drive End Bearing	Ball
Frame Material	Rolled Steel	Shaft Type	NEMA 48
Overall Length	8.35 in	Frame Length	4.75 in
Shaft Diameter	0.500 in	Shaft Extension	1.97 in
Assembly/Box Mounting	F1 ONLY		
Outline Drawing	A-SS403832-475	Connection Drawing	A-EE9002AK

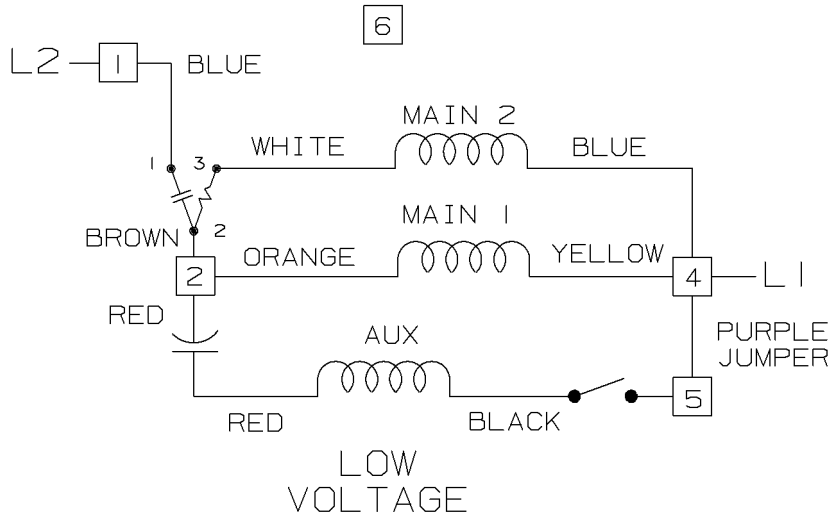
Uncontrolled Copy

SS403832

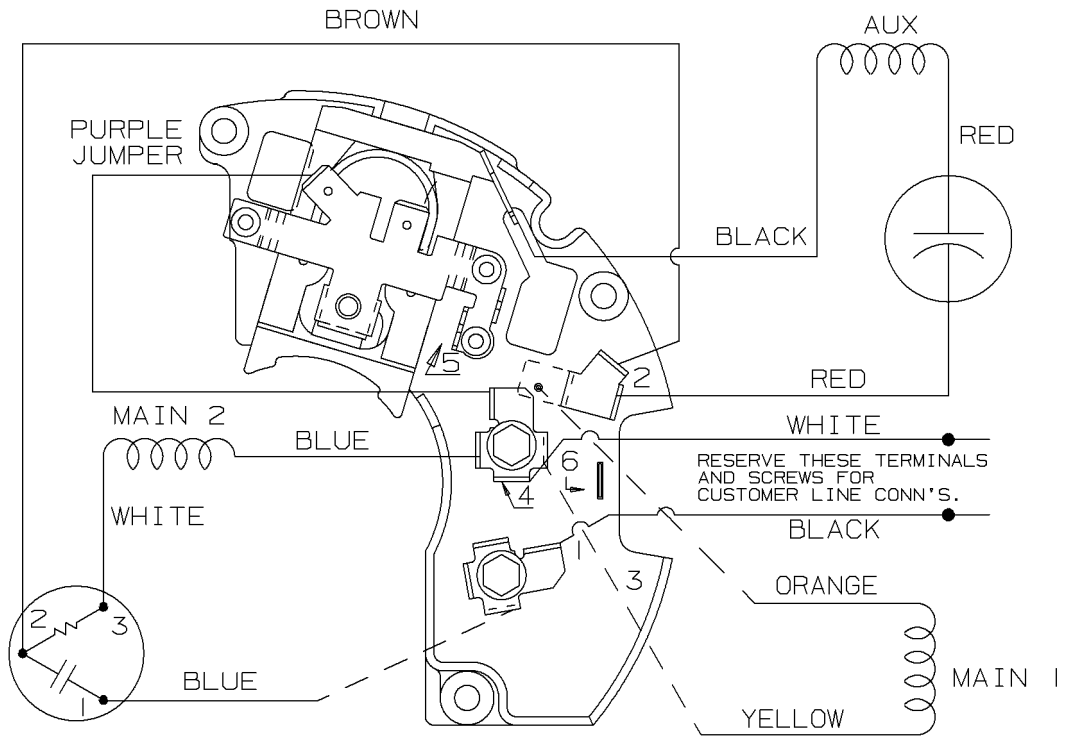


DASH	FR	C	AG
425	48	7.85	5.88
475	48	8.35	6.38
500	48	8.60	6.63
525	48	8.85	6.88

				TOLERANCES UNLESS SPECIFIED		Regal Beloit America, Inc.	DRAWN SP 02-08-2009		
				DEC.	INCHES		CHK NB 02-08-2009		
				.X	±.1	TITLE OUTLINE 48 FR.	APPD SP 02-08-2009		
				.XX	±.03		SCALE 7=16		
2	CHG FROM MARATHON TO RRX TEMPLATE PER ECR-0233452	MD 4/25/24	DS	.XXX	±.005	MAT'L.	REF SS74431		
1	UPDATED CORD LOCATION IN DRAWING	UD 5/8/19		.XXXX	±.0005		FMF 08-2130		
NO.	REVISION	BY & DATE	CHK	ANG	±7'30"	FINISH	PREV		
THIS DRAWING IN DESIGN AND DETAIL IS OUR PROPERTY AND MUST NOT BE USED EXCEPT IN CONNECTION WITH OUR WORK ALL RIGHTS OF DESIGN AND INVENTION ARE RESERVED THIS IS AN ELECTRONICALLY GENERATED DOCUMENT - DO NOT SCALE THIS PRINT				RFP	CAD FILE SS403832		SIZE	DRAWING NO. PAGE OF	REV.
				DIST	WP	A		SS403832	2

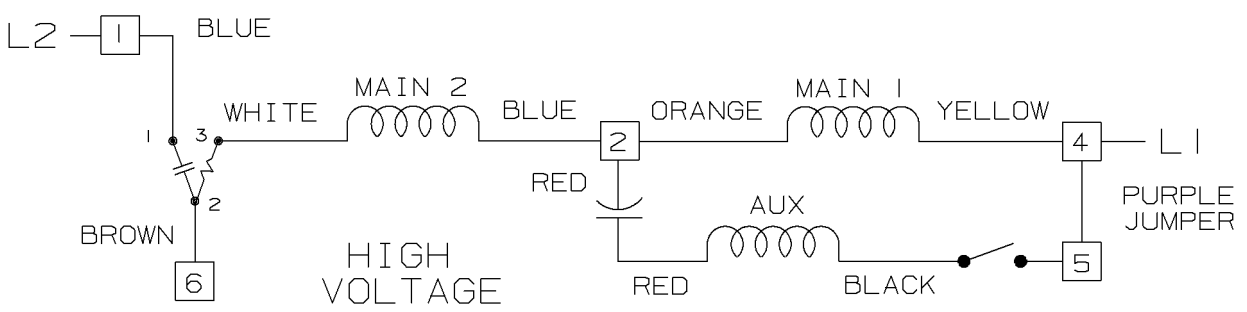


DUAL VOLTAGE CAPACITOR START REVERSIBLE ON TERM BOARD WITH OVERLOAD PROTECTION




VIEWING TERM END

LOW VOLTAGE CCW ROTATION SHOWN.



FOR HIGH VOLTAGE CONNECT BROWN TERM 2 TO TERM 6. CONNECT BLUE TERM 4 TO TERM 2.

TO REVERSE ROTATION EITHER VOLTAGE INTERCHANGE RED LEAD WITH PURPLE LEAD.

				✓ MAX. SURFACE ROUGHNESS UNLESS NOTED OTHERWISE	UNLESS OTHERWISE SPECIFIED DIMENSIONS ARE IN INCHES TOL. ON XX± .02 XXX± .005 XXXX± .0005 ANGLES± 7°30"			
2	05-09-2025	CHD FROM MARATHON TO REGAL REXNORD LOGO	KVDG	MATL SPEC	 Regal Beloit America, Inc.	DRAWN BY	MRB	10-10-1994
				FINISH		CHKD BY	ML	10-11-1994
1	10-13-1994	NEW DRAWING	MRB	REFERENCE DRW.		APPD BY	GK	10-11-1994
REV	DATE	CHANGE	NAME	PART NAME	CONNECTION DIAGRAM		DRWG NO A- EE9002AK	
				48 FR.				

SHOP BOOK

PURCHASED

DISTRIBUTION - WA - LB - WP - LM - BR

CADD FILE NO.

EE9002AK



REGAL REXNORD CORPORATION
TYPICAL PERFORMANCE CURVE for AC MOTOR

Customer

Curve at

230 Volts
60 HZ
0.2 HP

HP 0.20

PHASE 1

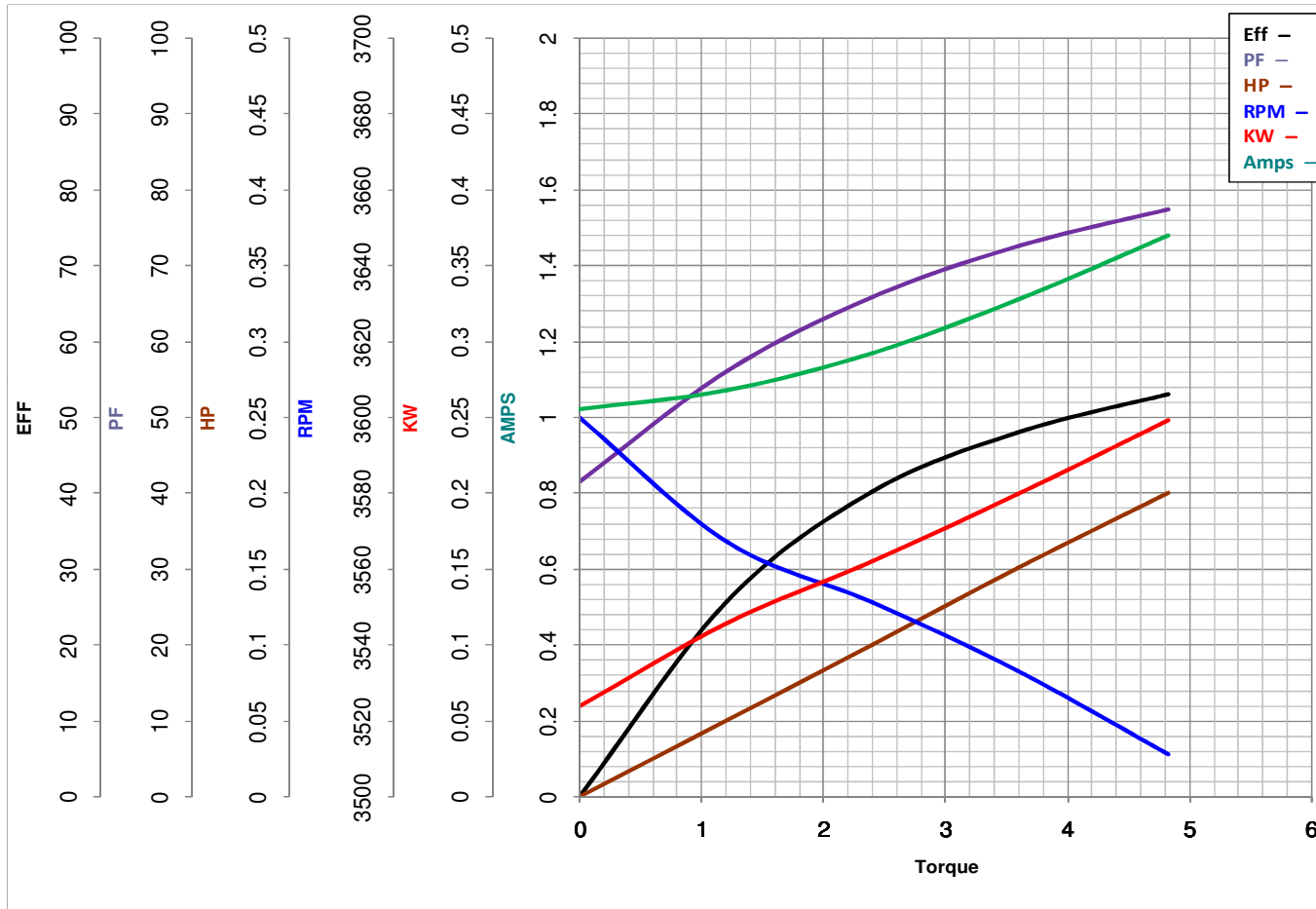
Model No 48C34S24

VOLTS 115/230

Catalog No O012

HZ 60

RPM 3450



Torque in Oz.Ft

FL TORQUE 4.82 Oz.Ft
BD TORQUE 12.9 Oz.Ft
LR TORQUE 14.18 Oz.Ft

FL AMPS 2.95/1.5
PU TORQUE 11.9 Oz.Ft
LR AMPS 8.2

WINDING CE482185-3

Date 1/7/2019