

PRODUCT INFORMATION PACKET



Model No: 048S17D2089

Catalog No: S003

General Purpose Motor, 0.25 HP, 1 Ph, 60 Hz, 115 V, 1800 RPM, 48Z Frame, DP



Regal and LEESON are trademarks of Regal Rexnord Corporation or one of its affiliated companies.
©2025 Regal Rexnord Corporation, All Rights Reserved. MC017097E





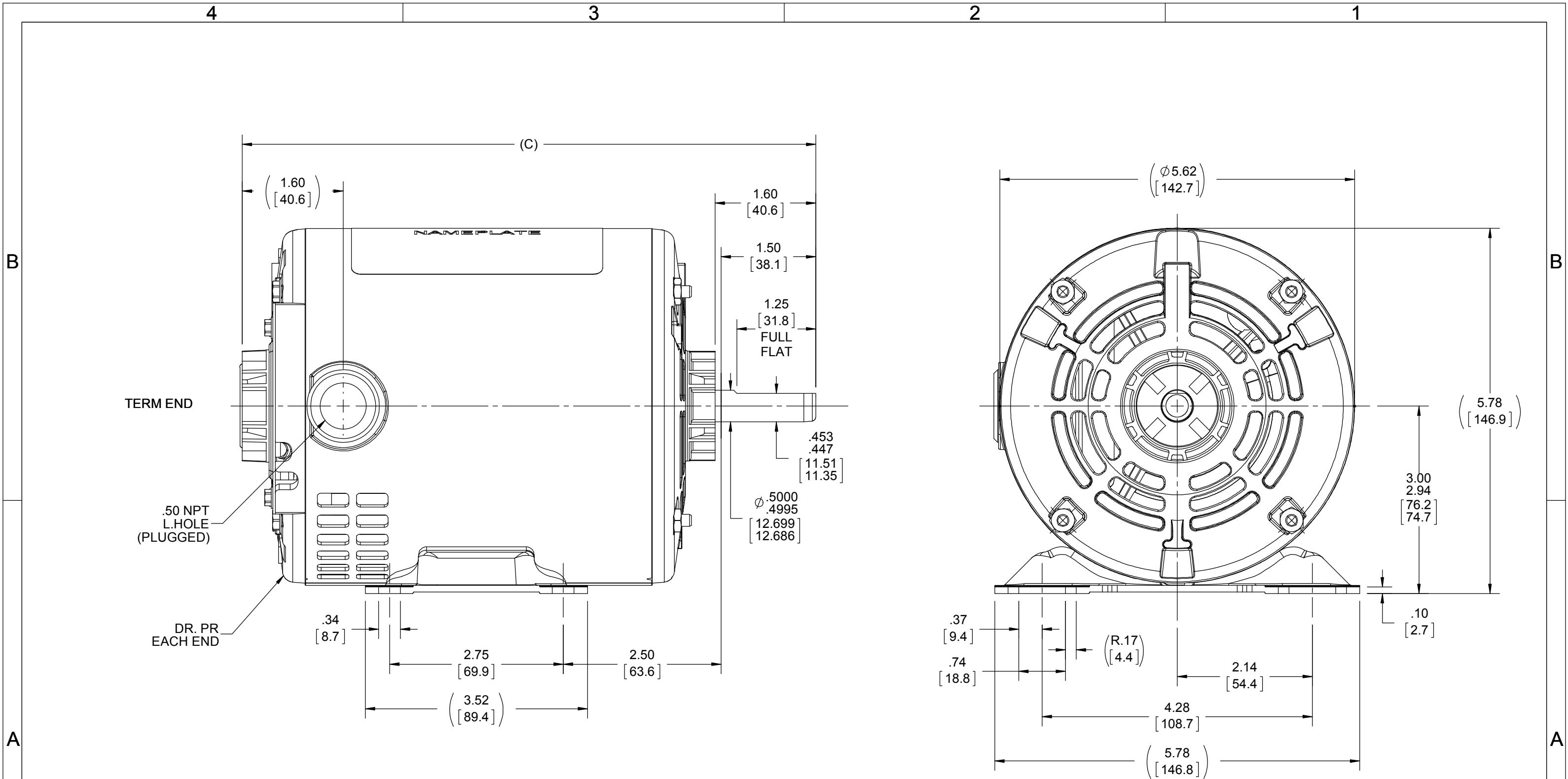
Nameplate Specifications

Phase	1	Output HP	0.25 Hp
Output KW	0.19 kW	Voltage	115 V
Speed	1725 rpm	Service Factor	1.0
Frame	48Z	Enclosure	Drip Proof
Thermal Protection	No Protection	Efficiency	52.5 %
Ambient Temperature	40 °C	Frequency	60 Hz
Current	5.7 A	Power Factor	55.1
Duty	Continuous	Insulation Class	B
Design Code	NO DESIGN CODE	KVA Code	S
Drive End Bearing Size	6203	Opp Drive End Bearing Size	6203
UL	Recognized	CSA	Y
CE	N	IP Code	22
Number of Speeds	1		

Technical Specifications

Electrical Type	Split Phase	Starting Method	Across The Line
Poles	4	Rotation	Selective Counterclockwise
Resistance Main	0 Ohms	Mounting	Rigid Base
Motor Orientation	Horizontal	Drive End Bearing	Ball
Opp Drive End Bearing	Ball	Frame Material	Rolled Steel
Shaft Type	Single Special Extension	Overall Length	9.09 in
Frame Length	5.50 in	Shaft Diameter	0.500 in
Shaft Extension	1.59 in	Assembly/Box Mounting	F1 ONLY
Connection Drawing	A-EE7195A	Outline Drawing	B-SS404342-550

This is an uncontrolled document once printed or downloaded and is subject to change without notice. Date Created:08/07/2025



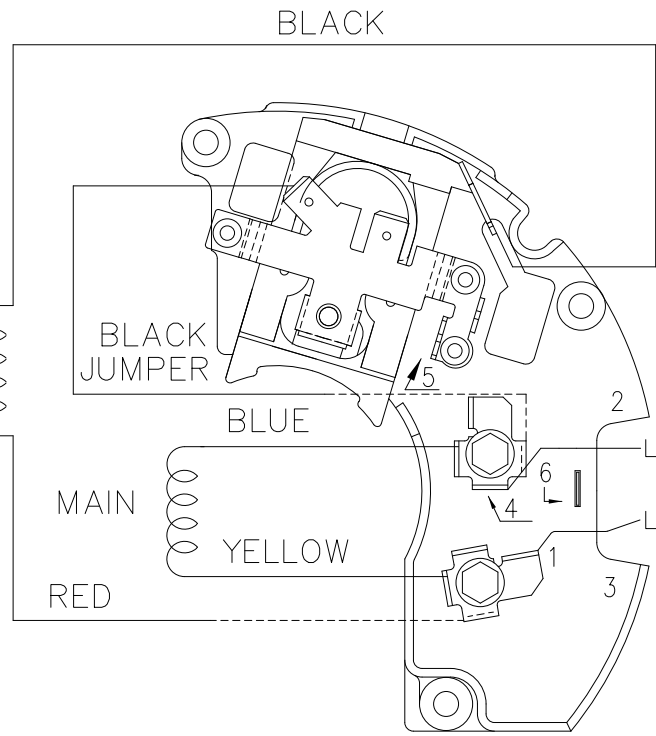
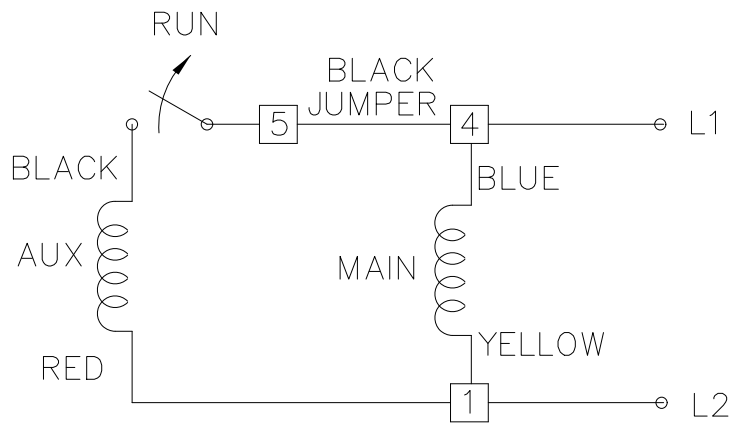
NOTE:-
1) NAMEPLATE READ FROM TERM. END.

DRAWING REVISION A	REVISION BY APPROVED BY	REV DATE/© DATE DATE	TOLERANCES (EXCEPT AS NOTED): DEC. INCH mm ANGLE .X ±0.1 [±3] ±7' 30" .XX ±0.03 [±0.8] .XXX ±0.005 [±0.13] .XXXX ±0.0005 [±0.013]	DRAWN BY A SUPPANAVAR	Regal Beloit America, Inc.
ECO ECO-0167331			REMOVE BURRS & BREAK SHARP EDGES: .003/.015 [0.08/0.38] X 45° CORNER FILLETS: R.02 [0.5] MACHINED SURFACES: 200/5.1 INCH/mm mm DIMENSIONS IN [BRACKETS] ARE FOR REFERENCE ONLY	DATE 12/14/2018	
ECO DESCRIPTION OUTLINE CONVERSION PROJECT				APPROVED BY D SURYWANSI	DESCRIPTION OUTLINE
COPYRIGHT (PER REVISION DATE) REGAL BELOIT AMERICA, INC. ALL RIGHTS RESERVED. PROPRIETARY AND CONFIDENTIAL INFORMATION - THIS DOCUMENT IS THE PROPERTY OF REGAL BELOIT AMERICA, INC. ("OWNER") AND CONTAINS OWNER'S PROPRIETARY INFORMATION. ANY PERSON, CORPORATION OR OTHER FIRM RECEIVING IT IS DEEMED, BY RECEIVING IT, TO AGREE THAT IT, AND/OR ANY PART OF IT, SHALL NOT BE DISCLOSED TO ANY PERSON, CORPORATION OR OTHER ENTITY, DUPLICATED, AND/OR USED, EXCEPT AS EXPRESSLY APPROVED IN WRITING IN ADVANCE BY OWNER. THIS DOCUMENT SHALL BE RETURNED TO OWNER UPON REQUEST. IT MAY BE SUBJECT TO CERTAIN RESTRICTIONS UNDER APPLICABLE EXPORT CONTROL LAWS AND REGULATIONS.				DATE 05/17/2019	MATERIAL SS75080
DASH 550	"C" 9.09 [230.9]			REFERENCE SS75080	PROCESS/FINISH
				THIRD ANGLE PROJECTION	SIZE B
					DRAWING NUMBER SS404342
					SHEET 1 OF 1

DASH	"C"
550	9.09 [230.9]

4 3 2 1

SINGLE VOLTAGE – SPLIT PHASE
 REVERSIBLE ON TERM BOARD
 NO OVERLOAD PROTECTION



VIEWING TERMINAL END

C.C.W. ROTATION SHOWN.

FOR C.W. ROTATION INTERCHANGE
 YELLOW & BLUE LEADS ON TERM 1 & 4.

DASH LINES INDICATE LEADS CONNECTED
 TO MOTOR SIDE OF SWITCH.

DRAWING REVISION 5	REVISION BY KVDG	REV DATE / DATE 05/06/2025	TOLERANCES (EXCEPT AS NOTED): DEC. INCH mm ANGLE .X ±0.1 [±3] ±0.5° .XX ±0.01 [±0.3] .XXX ±0.005 [±0.13] .XXXX ±0.0005 [±0.013]	DRAWN BY ML	Regal Beloit America, Inc.		
REQUEST NUMBER ECR-0242555	APPROVED BY DS	DATE 05/06/2025	REMOVE BURRS & BREAK SHARP EDGES: .003/.015 [.08/.38] X 45 CORNER FILLETS: R.02 [.5] MACHINED SURFACES: 125 / 3.2 INCH / mm	DATE 01-27-1988			
REQUEST NUMBER DESCRIPTION UPDATED THE DRAWING TO RRX TEMPLATE.				APPROVED BY DRN	DESCRIPTION CONNECTION DIAGRAM		
COPYRIGHT (PER REVISION DATE) REGAL BELOIT AMERICA, INC. ALL RIGHTS RESERVED. PROPRIETARY AND CONFIDENTIAL INFORMATION - THIS DOCUMENT IS THE PROPERTY OF REGAL BELOIT AMERICA, INC. (OWNER) AND CONTAINS OWNER'S PROPRIETARY INFORMATION. ANY PERSON, CORPORATION OR OTHER FIRM RECEIVING IT IS DEEMED, BY RECEIVING IT, TO AGREE THAT IT, AND/OR ANY PART OF IT, SHALL NOT BE DISCLOSED TO ANY PERSON, CORPORATION OR OTHER ENTITY, DUPLICATED, AND/OR USED, EXCEPT AS EXPRESSLY APPROVED IN WRITING IN ADVANCE BY OWNER. THIS DOCUMENT SHALL BE RETURNED TO OWNER UPON REQUEST. IT MAY BE SUBJECT TO CERTAIN RESTRICTIONS UNDER APPLICABLE EXPORT CONTROL LAWS AND REGULATIONS.				DATE 03-11-1988	48 FR. - SINGLE VOLTAGE REVERSIBLE		
				REFERENCE	MAT'L	PROCESS/FINISH	
			mm DIMENSIONS IN [BRACKETS] ARE FOR REFERENCE ONLY	THIRD ANGLE PROJECTION	SIZE B	DRAWING NUMBER EE7195A	SHEET 1 OF 1

4 3 2 1



REGAL REXNORD CORPORATION
TYPICAL PERFORMANCE CURVE for AC MOTOR

Customer

Curve at

115 Volts
60 HZ
0.25 HP

HP 0.25

PHASE 1

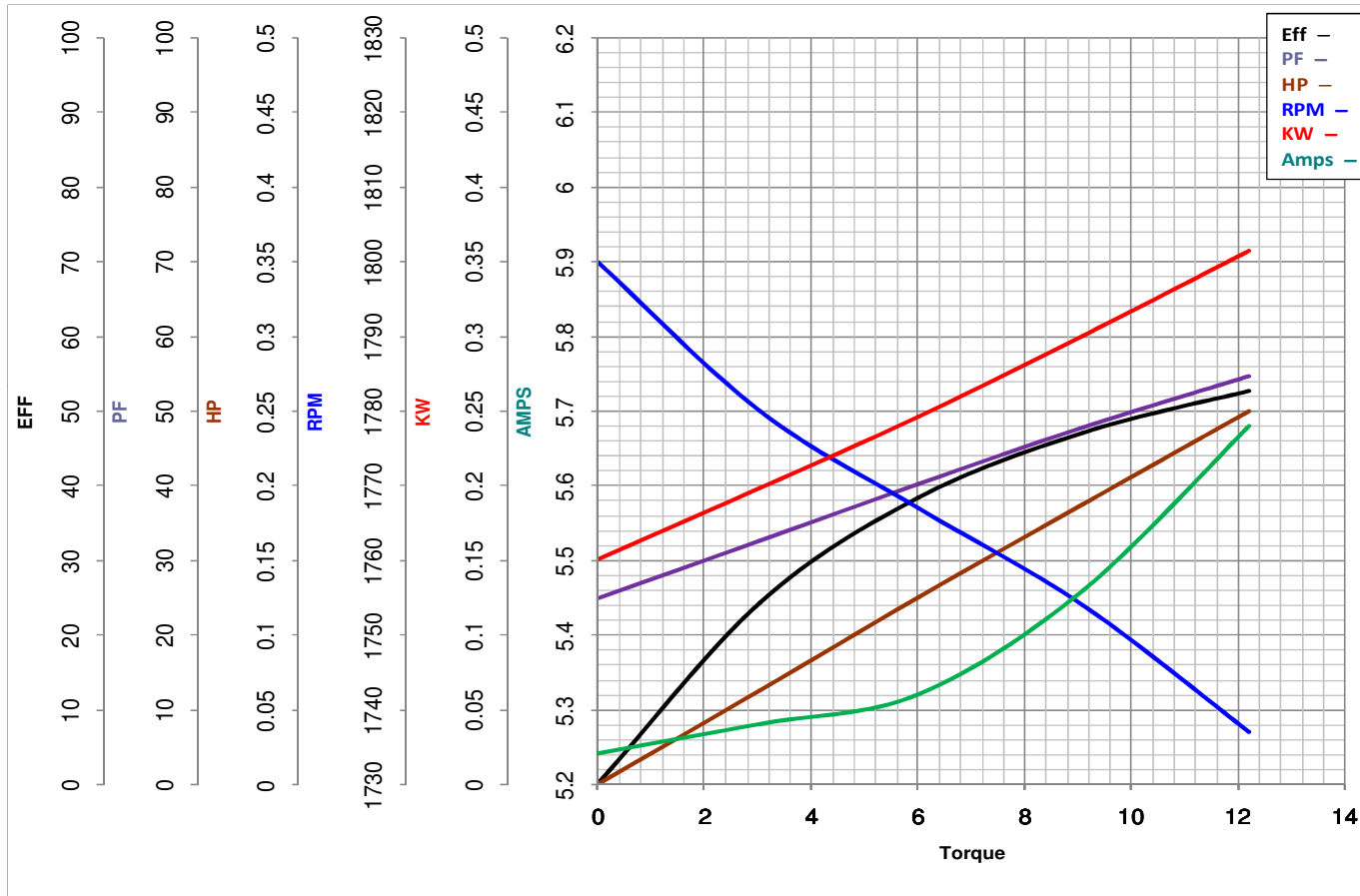
Model No 48S17D2089

VOLTS 115

Catalog No S003

HZ 60

RPM 1725



			Torque in Oz.Ft		
FL TORQUE	<u>12.2</u>	Oz.Ft	FL AMPS	<u>5.7</u>	
BD TORQUE	<u>31.7</u>	Oz.Ft	PU TORQUE	<u>25.2</u>	Oz.Ft
LR TORQUE	<u>28.3</u>	Oz.Ft	LR AMPS	<u>37.2</u>	
WINDING	SM554196-1		Date	1/9/2019	