

PRODUCT INFORMATION PACKET



Model No: 048S17D997

Catalog No: B400

Fan and Blower Motor, 0.33 HP, 1 Ph, 60 Hz, 115 V, 1800 RPM, 48 Frame, DPAO



Regal and LEESON are trademarks of Regal Rexnord Corporation or one of its affiliated companies.
©2025 Regal Rexnord Corporation, All Rights Reserved. MC017097E





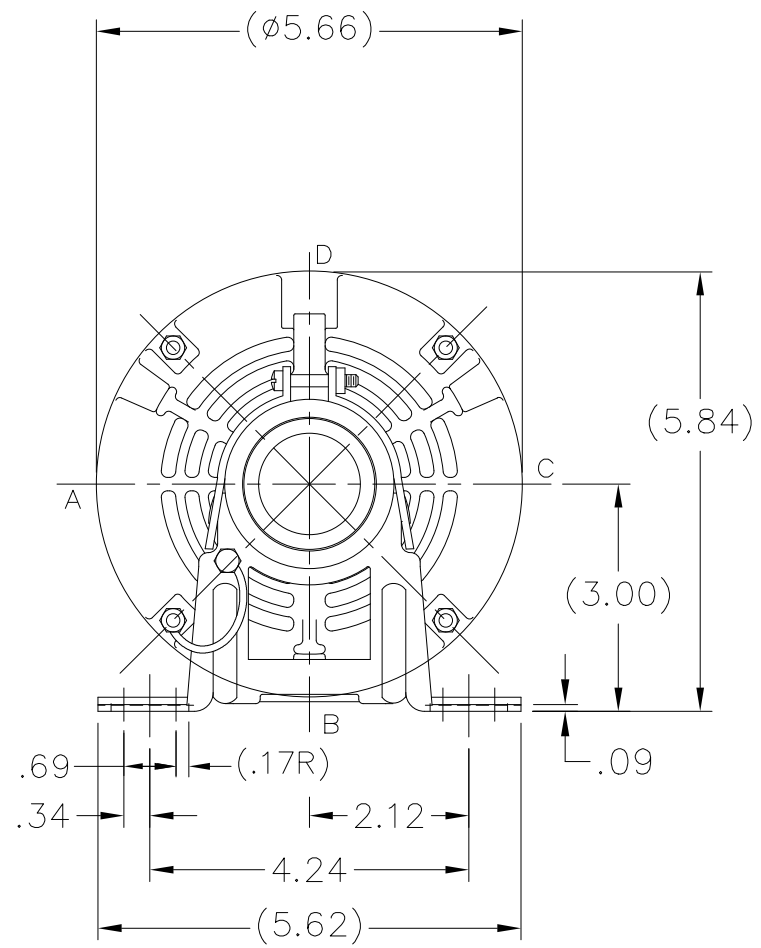
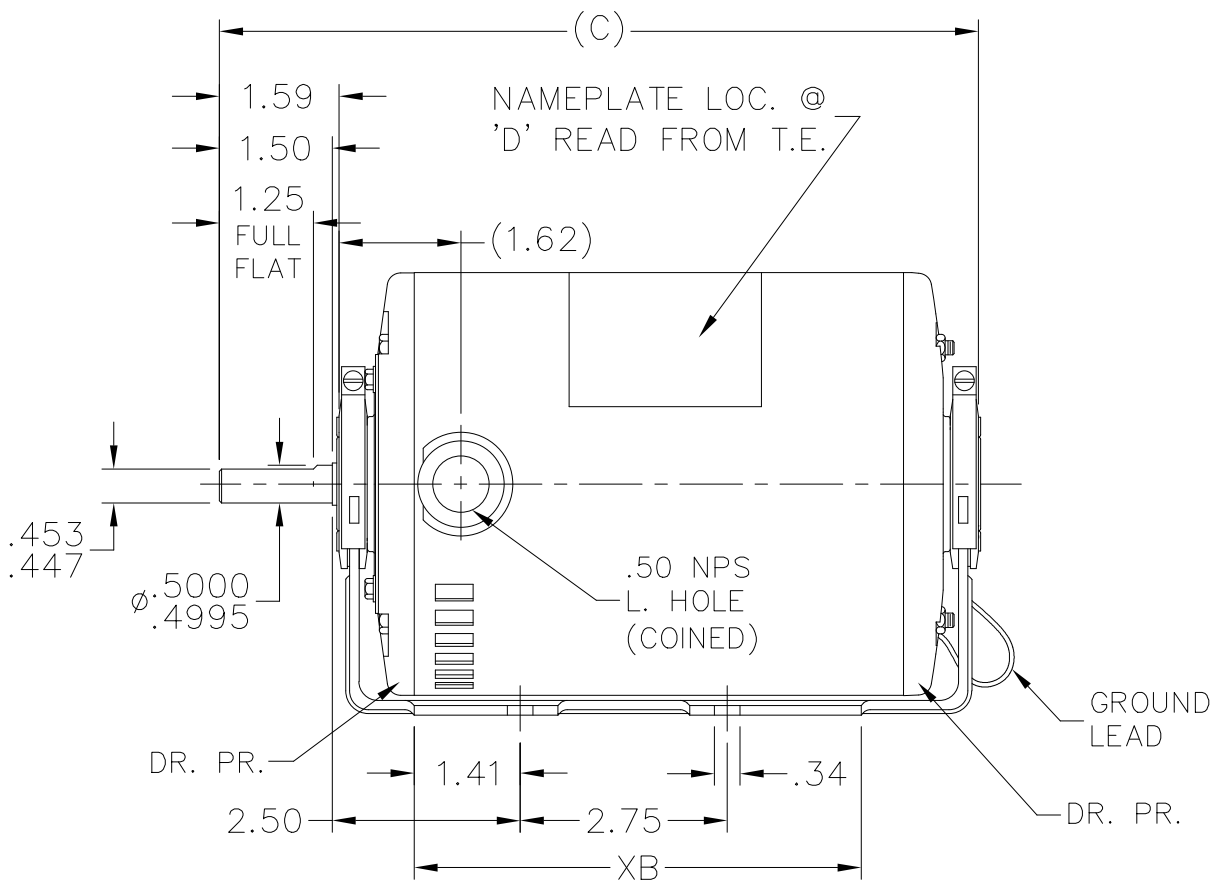
Nameplate Specifications

Phase	1	Output HP	0.33 Hp
Output KW	0.25 kW	Voltage	115 V
Speed	1725 rpm	Service Factor	1.0
Frame	48	Enclosure	Drip Proof Air Over
Thermal Protection	Automatic	Efficiency	61.5 %
Ambient Temperature	40 °C	Frequency	60 Hz
Current	6.6 A	Power Factor	58.6
Duty	Continuous	Insulation Class	B
Design Code	NO DESIGN CODE	KVA Code	R
Drive End Bearing Size	6203	Opp Drive End Bearing Size	6203
UL	Recognized	CSA	Y
CE	N	IP Code	22
Number of Speeds	1		

Technical Specifications

Electrical Type	Split Phase	Starting Method	Across The Line
Poles	4	Rotation	Selective Counterclockwise
Resistance Main	0 Ohms	Mounting	Resilient Base
Motor Orientation	Horizontal	Drive End Bearing	Ball
Opp Drive End Bearing	Ball	Frame Material	Rolled Steel
Shaft Type	NEMA 48	Overall Length	9.34 in
Frame Length	5.75 in	Shaft Diameter	0.500 in
Shaft Extension	1.59 in	Assembly/Box Mounting	F1 ONLY
Outline Drawing	A-SS403813-575	Connection Drawing	A-EE7195

This is an uncontrolled document once printed or downloaded and is subject to change without notice. Date Created:08/13/2025

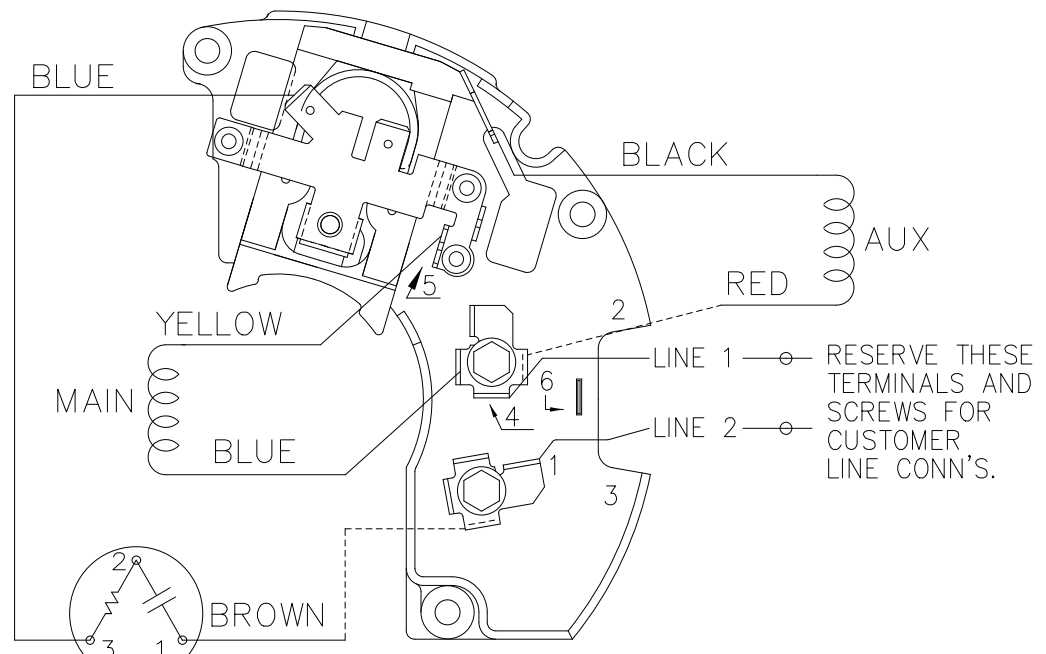
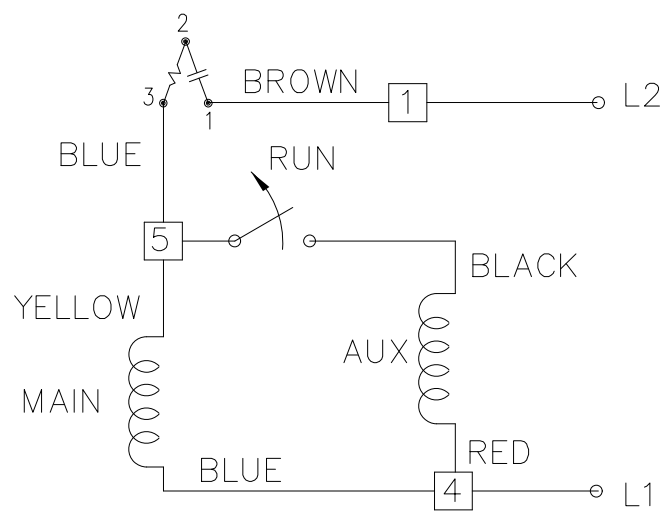


DASH	FR.	C	XB	DASH	FR.	C	XB
575	48	9.34	5.94				

				TOLERANCES UNLESS SPECIFIED		Regal Rexnord Regal Beloit America, Inc.	DRAWN SP 21-01-2009		
				DEC.	INCHES		CHK	NB 21-01-2009	
				.X	$\pm .1$	TITLE OUTLINE	APPD	SP 21-01-2009	
				.XX	$\pm .03$		SCALE	3=8	
				.XXX	$\pm .005$		REF	SS78763	
				.XXXX	$\pm .0005$		FMF	07-2636	
01	CHG FROM MARATHON TO RRX TEMPALTE PER ECR-0233451	MD	5/6/2024	DS	.XXXX	MAT'L.	PREV		
NO.	REVISION	BY & DATE	CHK	ANG	$\pm 7'30''$	FINISH			
THIS DRAWING IN DESIGN AND DETAIL IS OUR PROPERTY AND MUST NOT BE USED EXCEPT IN CONNECTION WITH OUR WORK ALL RIGHTS OF DESIGN AND INVENTION ARE RESERVED THIS IS AN ELECTRONICALLY GENERATED DOCUMENT - DO NOT SCALE THIS PRINT				RFP	21-01-2009	CAD FILE	SS403813	SIZE	DRAWING NO. PAGE OF REV.
				DIST	WP	3 of 5		A	SS403813 01

4 3 2 1

SINGLE VOLTAGE – SPLIT PHASE
REVERSIBLE ON TERM BOARD
WITH OVERLOAD PROTECTION



VIEWING TERMINAL END

C.C.W. ROTATION SHOWN.

FOR C.W. ROTATION INTERCHANGE
YELLOW & BLUE LEADS ON TERM 5 & 4.

DASH LINES INDICATE LEADS CONNECTED
TO MOTOR SIDE OF SWITCH.

DRAWING REVISION 06	REVISION BY KVDG	REV DATE/ DATE 05/06/2025	TOLERANCES (EXCEPT AS NOTED): DEC. INCH mm ANGLE .X ±0.1 [±3] ±0.5° .XX ±0.01 [±0.3] .XXX ±0.005 [±0.13] .XXXX ±0.0005 [±0.013]	DRAWN BY ML	Regal Beloit America, Inc.		
REQUEST NUMBER ECR-0242555	APPROVED BY DS	DATE 05/06/2025	REMOVE BURRS & BREAK SHARP EDGES: .003/.015 [.08/.38] X 45 CORNER FILLETS: R.02 [.5] MACHINED SURFACES: 125/ 3.2/ INCH mm/	DATE 01-27-1988			
REQUEST NUMBER DESCRIPTION UPDATED THE DRAWING TO RRX TEMPLATE.				APPROVED BY DRN	DESCRIPTION CONNECTION DIAGRAM		
COPYRIGHT (PER REVISION DATE) REGAL BELOIT AMERICA, INC. ALL RIGHTS RESERVED. PROPRIETARY AND CONFIDENTIAL INFORMATION - THIS DOCUMENT IS THE PROPERTY OF REGAL BELOIT AMERICA, INC. (OWNER) AND CONTAINS OWNER'S PROPRIETARY INFORMATION. ANY PERSON, CORPORATION OR OTHER FIRM RECEIVING IT IS DEEMED, BY RECEIVING IT, TO AGREE THAT IT, AND/OR ANY PART OF IT, SHALL NOT BE DISCLOSED TO ANY PERSON, CORPORATION OR OTHER ENTITY, DUPLICATED, AND/OR USED, EXCEPT AS EXPRESSLY APPROVED IN WRITING IN ADVANCE BY OWNER. THIS DOCUMENT SHALL BE RETURNED TO OWNER UPON REQUEST. IT MAY BE SUBJECT TO CERTAIN RESTRICTIONS UNDER APPLICABLE EXPORT CONTROL LAWS AND REGULATIONS.				DATE 03-11-1988	48 FR. - SINGLE VOLTAGE REVERSIBLE		
				REFERENCE	MAT'L	PROCESS/FINISH	
			mm DIMENSIONS IN [BRACKETS] ARE FOR REFERENCE ONLY	THIRD ANGLE PROJECTION	SIZE B	DRAWING NUMBER EE7195	SHEET 1 OF 1

4 3 2 1



REGAL REXNORD CORPORATION
TYPICAL PERFORMANCE CURVE for AC MOTOR

Customer

Curve at

115

Volts

HP 0.34

PHASE 1

Model No 48S17D997

60

HZ

VOLTS 115

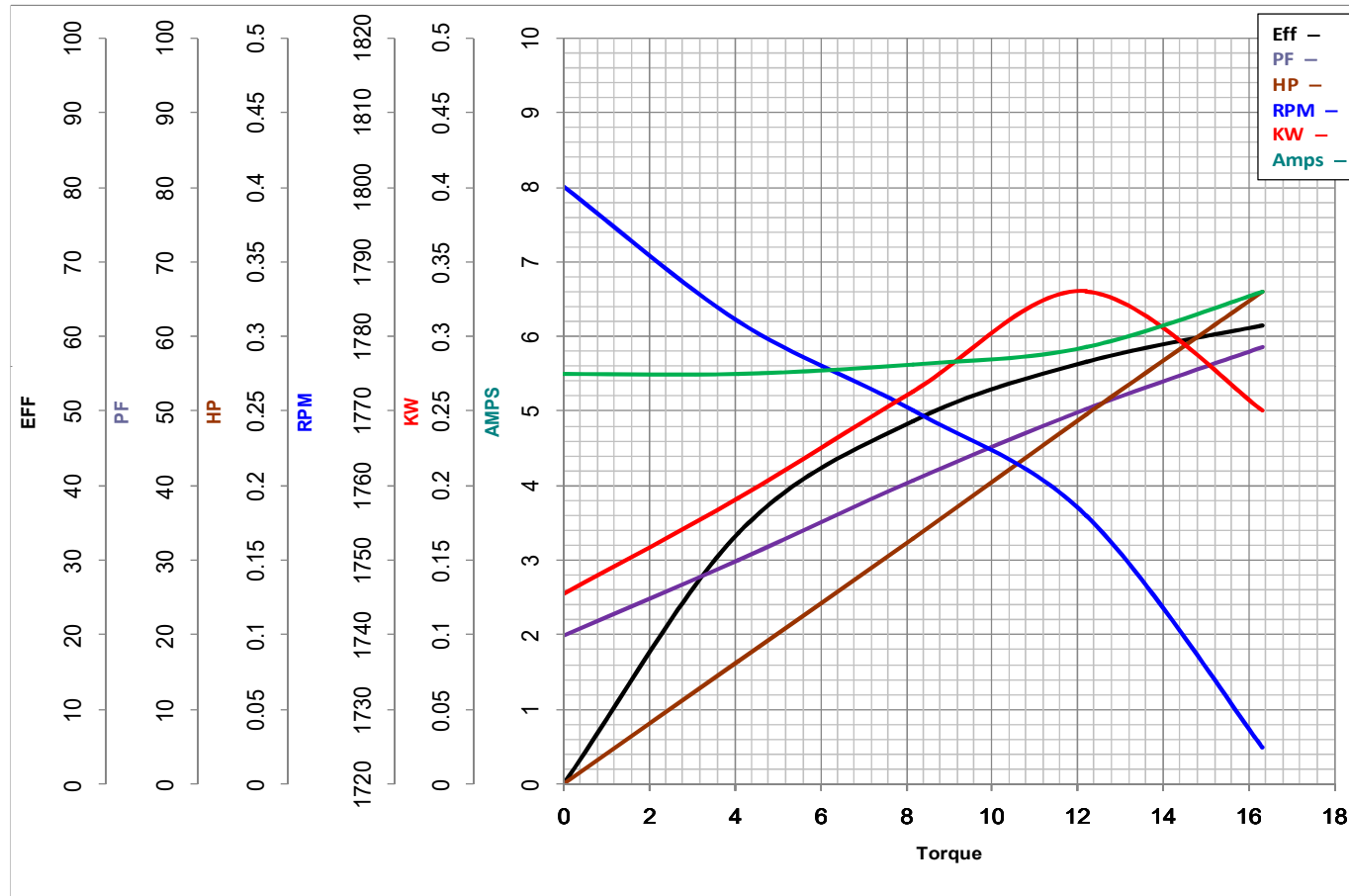
Catalog No B400

0.33

HP

HZ 60

RPM 1725



Torque in Oz.Ft

FL TORQUE 16.3 Oz.Ft
BD TORQUE 40.0 Oz.Ft
LR TORQUE 30.1 Oz.Ft

FL AMPS 6.6
PU TORQUE 29.0 Oz.Ft
LR AMPS 40.35

WINDING SE484310-1

Date 1/2/2019

REV 1 - CHANGED LOGO FROM MARATHON TO LEESON - 3/25/2025