

PRODUCT INFORMATION PACKET



Model No: 048S17T366
Catalog No: X910
General Purpose Farm Duty Motor, 0.25 & 0.08 HP, 1 Ph, 60 Hz, 115 & 115 V, 1800 & 1800 RPM,
48 Frame, TEAO



Regal and LEESON are trademarks of Regal Rexnord Corporation or one of its affiliated companies.
©2025 Regal Rexnord Corporation, All Rights Reserved. MC017097E



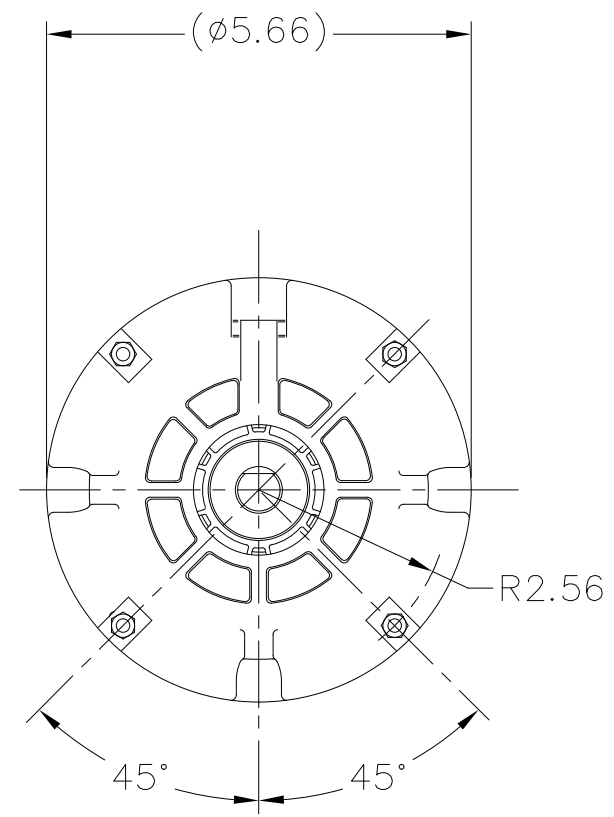
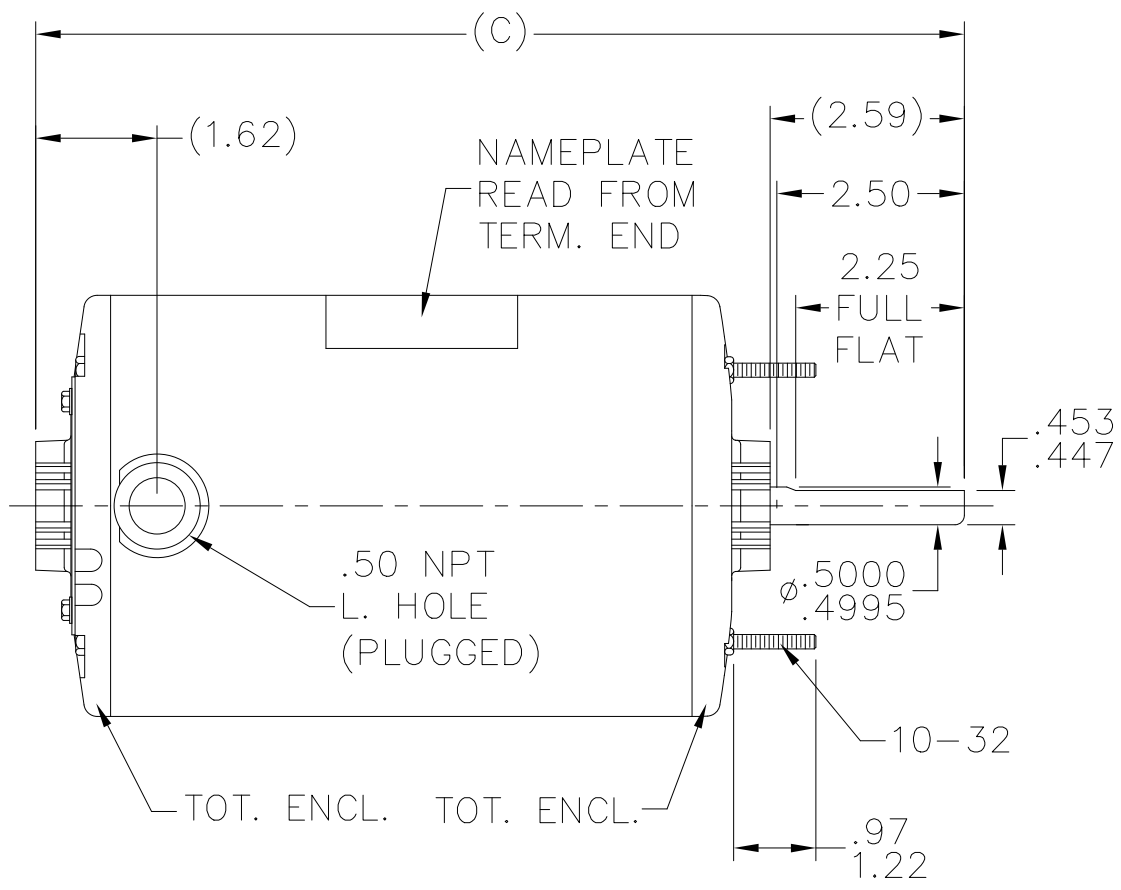


Nameplate Specifications

Phase	1	Output HP	0.25 & 0.08 Hp
Output KW	0.19 & 0.06 kW	Voltage	115 & 115 V
Speed	1725 & 1140 rpm	Service Factor	1.0 & 1.0
Frame	48	Enclosure	Totally Enclosed Air Over
Thermal Protection	Automatic	Efficiency	62 & 35.2 %
Ambient Temperature	40 °C	Frequency	60 Hz
Current	3.95 & 2.25 A	Power Factor	68
Duty	Continuous	Insulation Class	B
Design Code	2VT	KVA Code	R
Drive End Bearing Size	6203	Opp Drive End Bearing Size	6203
UL	Recognized	CSA	Y
CE	N	IP Code	43
Number of Speeds	2		

Technical Specifications

Electrical Type	Split Phase	Starting Method	Across The Line
Poles	4//6	Rotation	Selective Counterclockwise
Resistance Main	0 Ohms	Mounting	Round - Extended Studs
Motor Orientation	Horizontal	Drive End Bearing	Ball
Opp Drive End Bearing	Ball	Frame Material	Rolled Steel
Shaft Type	NEMA 48	Overall Length	11.09 in
Frame Length	6.50 in	Shaft Diameter	0.500 in
Shaft Extension	2.59 in	Assembly/Box Mounting	F1 ONLY
Connection Drawing	A-EE9005B	Outline Drawing	A-SS75127-650

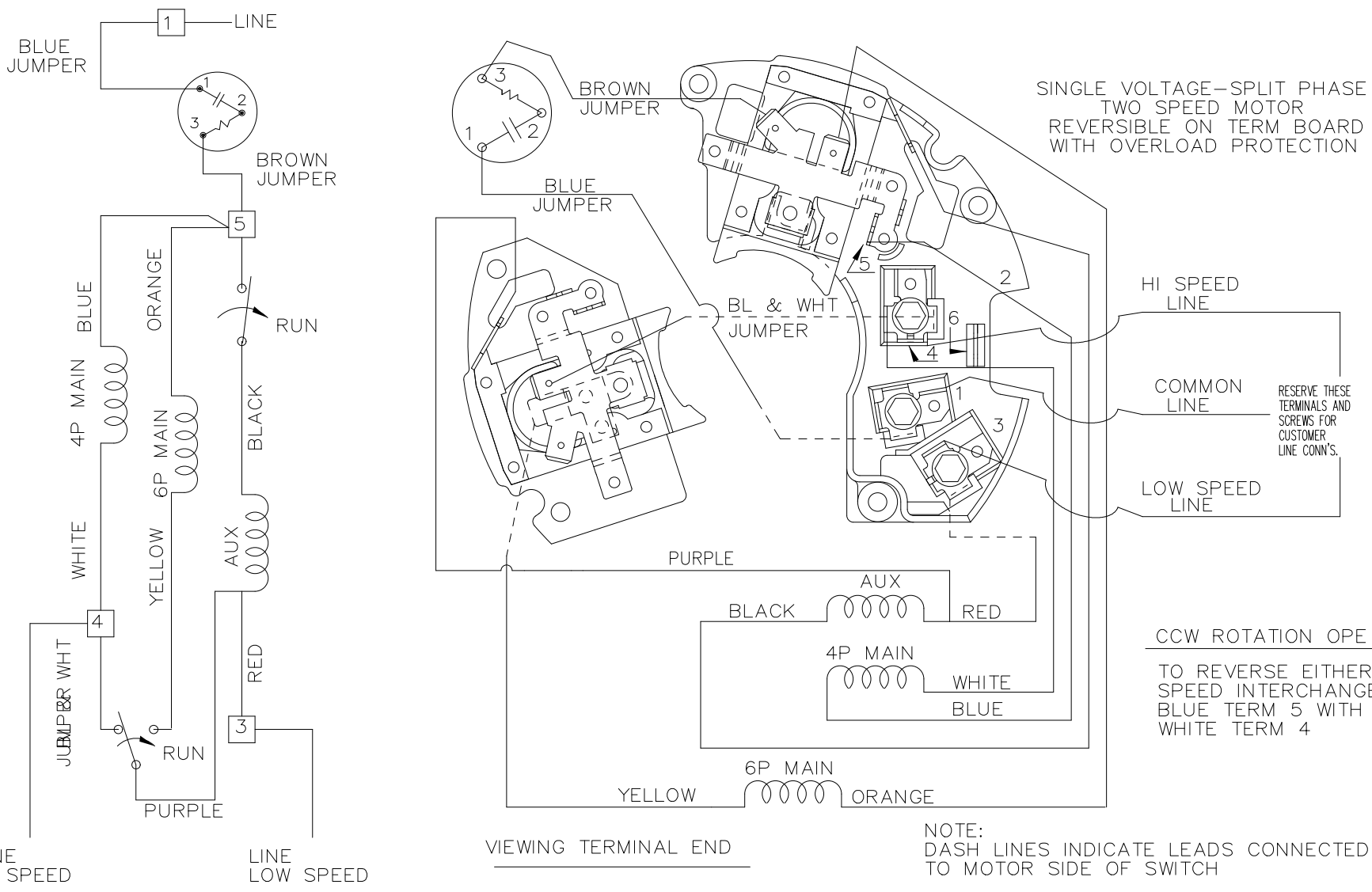


TERM END

DASH	FR.	C	DASH	FR.	C
575	48	10.34	675	48	11.34
625	48	10.84			
650	48	11.09			

				TOLERANCES UNLESS SPECIFIED		Regal Rexnord Regal Beloit America, Inc.	DRAWN RM 03-04-1991				
				DEC.	INCHES		CHK ML 03-05-1991	APPD RJS 03-08-1991			
4	CHG FROM MARATHON TO RRX TEMPLATE PER ECR-0233452	MD 4/30/24	DS	.X	\pm .1	TITLE OUTLINE	SCALE 3=8				
3	UPDATED DRAWING	TJW 04/16/2007		.XX	\pm .03		REF				
2	REDRAWN IN AUTOCAD	TAT 05-09-2005	ML	.XXX	\pm .005	MAT'L.	FMF				
1	NEW DRAWING 3783642	RM 03-04-1991		.XXXX	\pm .0005		PREV				
NO.	REVISION	BY & DATE	CHK	ANG	\pm '30"	FINISH	SIZE	DRAWING NO.	PAGE	OF	REV.
	THIS DRAWING IN DESIGN AND DETAIL IS OUR PROPERTY AND MUST NOT BE USED EXCEPT IN CONNECTION WITH OUR WORK ALL RIGHTS OF DESIGN AND INVENTION ARE RESERVED THIS IS AN ELECTRONICALLY GENERATED DOCUMENT - DO NOT SCALE THIS PRINT		RFP			CAD FILE ss75127	A	SS75127			4
			DIST WP								

4 3 2 1



DRAWING REVISION 4	REVISION BY KVDG	REV DATE/ DATE 05/06/2025	TOLERANCES (EXCEPT AS NOTED): DEC. INCH mm ANGLE .X ±0.1 [±3] ±0.5° .XX ±0.01 [±0.3] .XXX ±0.005 [±0.13] .XXXX ±0.0005 [±0.013]	DRAWN BY RM	Regal Beloit America, Inc.		
REQUEST NUMBER ECR-0242555	APPROVED BY DS	DATE 05/06/2025	REMOVE BURRS & BREAK SHARP EDGES: .003/.015 [.08/.38] X 45 CORNER FILLETS: R.02 [.5] MACHINED SURFACES: 125/ 3.2 INCH mm	DATE 12-03-1990			
REQUEST NUMBER DESCRIPTION UPDATED THE DRAWING TO RRX TEMPLATE.				APPROVED BY GK	DESCRIPTION CONNECTION DIAGRAM		
COPYRIGHT (PER REVISION DATE) REGAL BELOIT AMERICA, INC. ALL RIGHTS RESERVED. PROPRIETARY AND CONFIDENTIAL INFORMATION - THIS DOCUMENT IS THE PROPERTY OF REGAL BELOIT AMERICA, INC. (OWNER) AND CONTAINS OWNER'S PROPRIETARY INFORMATION. ANY PERSON, CORPORATION OR OTHER FIRM RECEIVING IT IS DEEMED, BY RECEIVING IT, TO AGREE THAT IT, AND/OR ANY PART OF IT, SHALL NOT BE DISCLOSED TO ANY PERSON, CORPORATION OR OTHER ENTITY, DUPLICATED, AND/OR USED, EXCEPT AS EXPRESSLY APPROVED IN WRITING IN ADVANCE BY OWNER. THIS DOCUMENT SHALL BE RETURNED TO OWNER UPON REQUEST. IT MAY BE SUBJECT TO CERTAIN RESTRICTIONS UNDER APPLICABLE EXPORT CONTROL LAWS AND REGULATIONS.				DATE 12-03-1990	48 FR. TWO SPEED		
				REFERENCE	MAT'L	PROCESS/FINISH	
			mm DIMENSIONS IN [BRACKETS] ARE FOR REFERENCE ONLY	THIRD ANGLE PROJECTION	SIZE B	DRAWING NUMBER EE9005B	SHEET 1 OF 1

4 3 2 1

