

PRODUCT INFORMATION PACKET



Model No: 056B11F5303

Catalog No: G578

General Purpose Motor, 0.50 & 0.33 HP, 1 Ph, 60 & 50 Hz, 115/208-230 & 110/220 V, 1200 & 1000 RPM,
56C Frame, TEFC



Regal and LEESON are trademarks of Regal Rexnord Corporation or one of its affiliated companies.
©2025 Regal Rexnord Corporation, All Rights Reserved. MC017097E



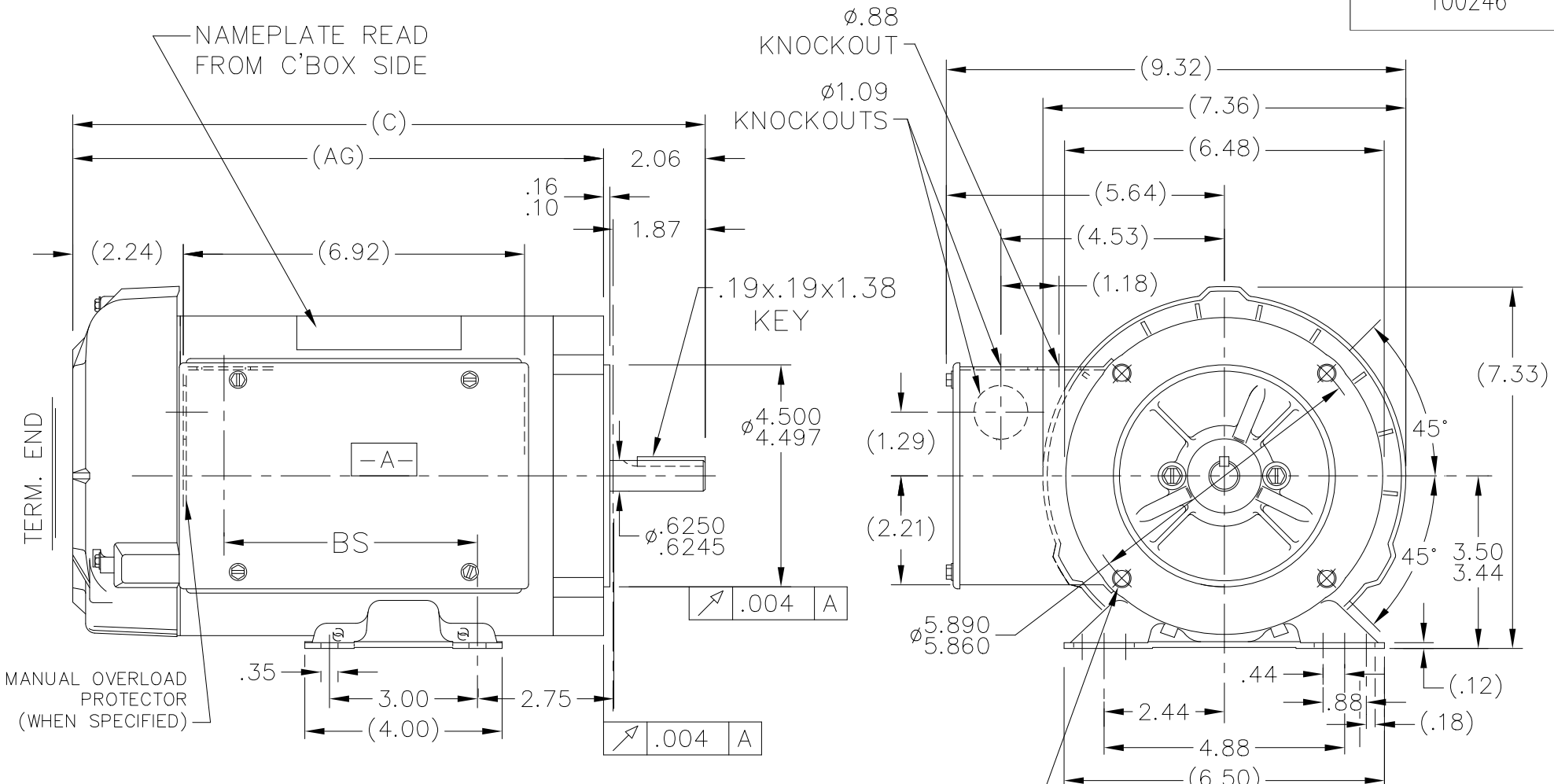


Nameplate Specifications

Phase	1	Output HP	0.50 & 0.33 Hp
Output KW	0.37 & 0.25 kW	Voltage	115/208-230 & 110/220 V
Speed	1140 & 950 rpm	Service Factor	1.15 & 1.0
Frame	56C	Enclosure	Totally Enclosed Fan Cooled
Thermal Protection	No Protection	Efficiency	64 & 50 %
Ambient Temperature	40 °C	Frequency	60 & 50 Hz
Current	9.6/4.7-4.8 & 10.4/5.2 A	Power Factor	56
Duty	Continuous	Insulation Class	B
Design Code	N	KVA Code	M
Drive End Bearing Size	6203	Opp Drive End Bearing Size	6203
UL	Recognized	CSA	Y
CE	Y	IP Code	43
Number of Speeds	1		

Technical Specifications

Electrical Type	Capacitor Start Capacitor Run	Starting Method	Across The Line
Poles	6	Rotation	Selective Counterclockwise
Resistance Main	0 Ohms	Mounting	Bolt-on Base
Motor Orientation	Horizontal	Drive End Bearing	Ball
Opp Drive End Bearing	Ball	Frame Material	Rolled Steel
Shaft Type	NEMA 56	Overall Length	13.32 in
Frame Length	8.06 in	Shaft Diameter	0.625 in
Shaft Extension	2.06 in	Assembly/Box Mounting	F1 ONLY
Outline Drawing	A-100246-806	Connection Drawing	102006-51



3/8-16 UNC-2B
.56 MIN. FULL THD.
4 HOLES

NOTES:
1. REMOVABLE BASE

DASH	FR.	C	AG	BS
756	56-75	12.82	10.75	5.14
806	56-80	13.32	11.25	5.64
856	56-85	13.82	11.75	6.14
906	56-90	14.32	12.25	6.64
956	56-95	14.82	12.75	7.14

NO.	REVISION	BY & DATE	CHK	TOLERANCES UNLESS SPECIFIED	
				DEC.	INCHES
				.X	$\pm .1$
				.XX	$\pm .03$
3	CHG FROM MARATHON TO REGAL REXNORD LOGO	KVDG 05-10-2024	DS	.XXX	$\pm .005$
2	REDRAWN ON CADD	MJD 04-02-1998		.XXXX	$\pm .0005$
				ANG	$\pm 7'30''$

Regal Rexnord Regal Beloit America, Inc.

TITLE OUTLINE
56 FR. - BB - 1° - C'FACE

MAT'L.

FINISH

DRAWN	MJD	03-27-1998
CHK	ML	04-02-1998
APPD	GK	04-02-1998
SCALE	5=16	
REF		
FMF		
PREV		

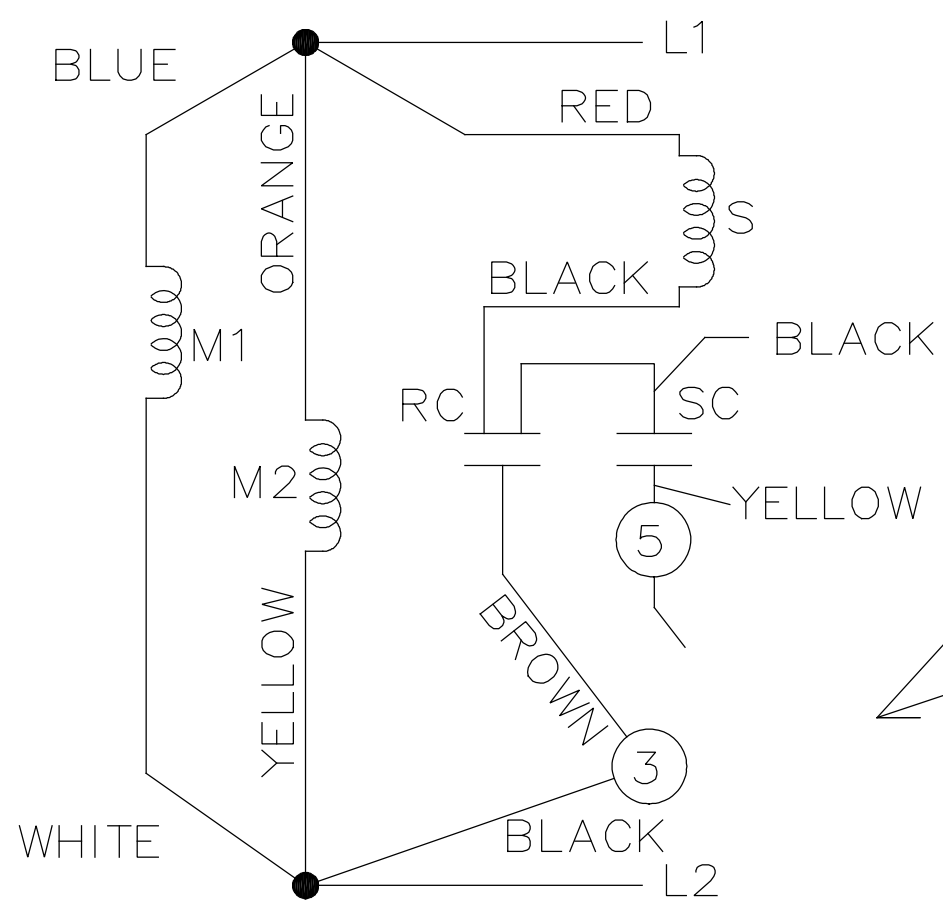
THIS DRAWING IN DESIGN AND DETAIL IS OUR PROPERTY AND MUST NOT BE USED EXCEPT IN CONNECTION WITH OUR WORK ALL RIGHTS OF DESIGN AND INVENTION ARE RESERVED THIS IS AN ELECTRONICALLY GENERATED DOCUMENT - DO NOT SCALE THIS PRINT

RFP	
DIST	WP

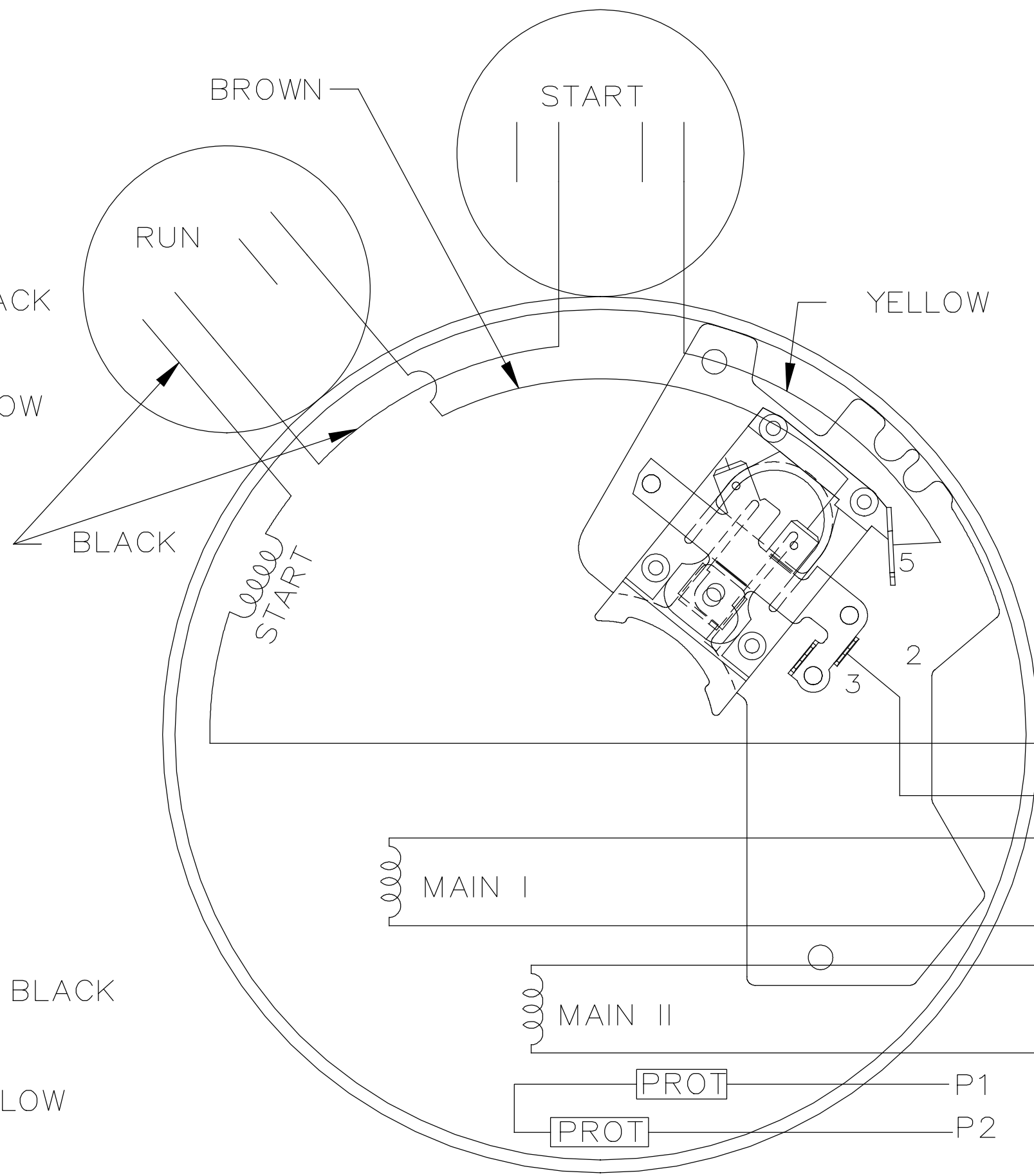
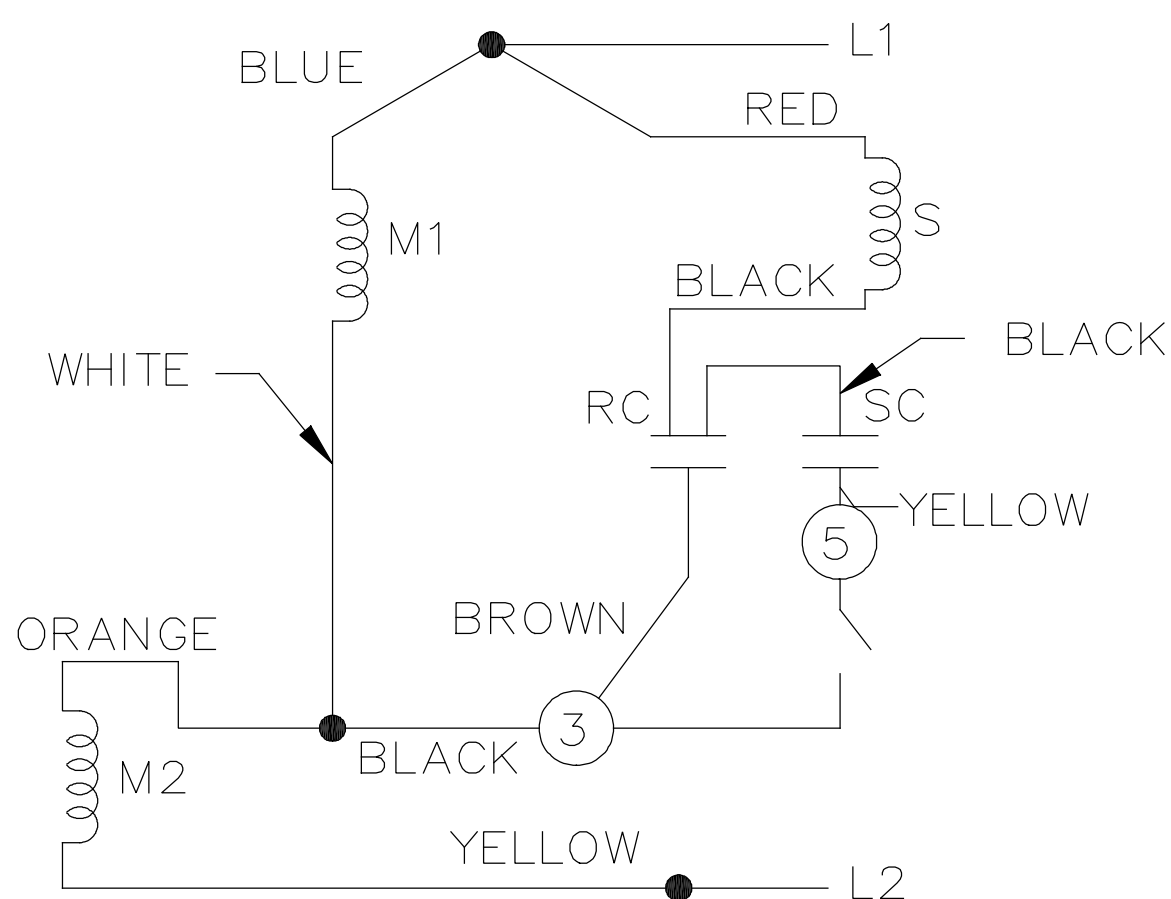
CAD FILE	100246
SIZE	A

DRAWING NO.	100246	PAGE	OF	REV.
				2

LOW VOLTAGE C.C.W.

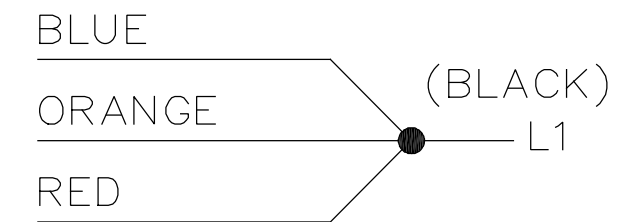


HIGH VOLTAGE C.C.W.

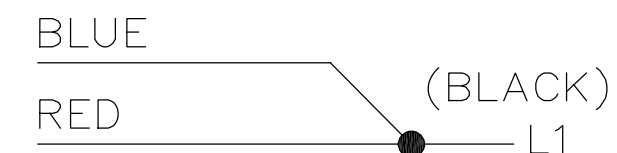


DUAL VOLTAGE CAPACITOR
START-CAP RUN NO OVERLOAD
SELECT ROTATION

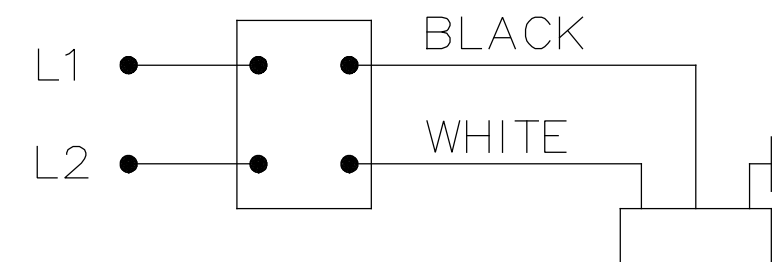
LOW VOLTAGE C.C.W. ROTATION




HIGH VOLTAGE C.C.W. ROTATION



FOR C.W. ROTATION,
EITHER VOLTAGE,
INTERCHANGE RED
WITH BLACK LEAD



CORD CONN. WHEN SPECIFIED

		TOLERANCES UNLESS SPECIFIED		 Regal Beloit America, Inc.	DRAWN	SG 05/14/19
		DEC.	INCHES		CHK	CD 05/14/19
		.X	±.1		APPD	CD 05/14/19
		.XX	±.02	TITLE	CONNECTION DIAGRAM	
		.XXX	±.005		SCALE	1:1
01	CONVERTED TO DWG FILE	SG	05/14/19	MAT'L.	REF	102006-51
NO.	REVISION	BY & DATE	CHK	FINISH	FMF	PR141156
			RFP	CAD FILE	SIZE	DRAWING NO. PAGE OF REV.
THIS DRAWING IN DESIGN AND DETAIL IS OUR PROPERTY AND MUST NOT BE USED EXCEPT IN CONNECTION WITH OUR WORK ALL RIGHTS OF DESIGN AND INVENTION ARE RESERVED THIS IS AN ELECTRONICALLY GENERATED DOCUMENT - DO NOT SCALE THIS PRINT				DIST WP	A	102006-51 01

CERTIFICATION DATA SHEET

Model#: 56B11F5303 K
CONN. DIAGRAM: 102006-51
OUTLINE: A-100246-806

WINDING#: ZB601 NONE 3
ASSEMBLY: F1 ONLY

TYPICAL MOTOR PERFORMANCE DATA

HP	KW	SYNC. RPM	F.L. RPM	FRAME	ENCLOSURE	KVA CODE	DESIGN
1/2&1/3	.37&0.25	1200	1140&950	56C	TEFC	M	N

PH	Hz	VOLTS	FL AMPS	START TYPE	DUTY	INSL	S.F	AMB°C	ELEVATION
1	60/50	115/208- 230#110/220	9.6/4.7- 4.8&10.4/5.2	ACROSS THE LINE	CONTINUOU S	B3	1.15/1.0	40	3300

FULL LOAD EFF: 64.0	3/4 LOAD EFF: 60.5	1/2 LOAD EFF: 52.5	GTD. EFF	ELEC. TYPE	NO LOAD AMPS
FULL LOAD PF: -	3/4 LOAD PF: 47	1/2 LOAD PF: 38	0	CAP START CAP RUN	8 / 4

F.L. TORQUE	LOCKED ROTOR AMPS	L.R. TORQUE	B.D. TORQUE	F.L. RISE°C
35.9 LB-FT	47 / 23.5	109 LB-FT -	104 LB-FT -	-

SOUND PRESSURE @ 3 FT.	SOUND POWER	ROTOR WK^2	MAX. WK^2	SAFE STALL TIME	STARTS /HOUR	APPROX. MOTOR WGT
50 dBA	60 dBA	0 LB-FT^2	- LB-FT^2	10 SEC.	-	0 LBS.

***** SUPPLEMENTAL INFORMATION *****

DE BRACKET TYPE	ODE BRACKET TYPE	MOUNT TYPE	ORIENTATION	SEVERE DUTY	HAZARDOUS LOCATION	DRIP COVER	SCREENS	PAINT
C-FACE	BRAKE	RIGID	HORIZONTAL	FALSE	NONE	FALSE	NONE	GRAY (POWDER)

BEARINGS		GREASE	SHAFT TYPE	SPECIAL DE	SPECIAL ODE	SHAFT MATERIAL	FRAME MATERIAL
DE	OPE						
BALL	BALL	POLYREX EM	STANDARD 56	NONE	NONE	1144 STRESSPROOF (C-223)	ROLLED STEEL
6203	6203						

THERMO-PROTECTORS				THERMISTORS	CONTROL	SPACE /n HEATERS
THERMOSTATS	PROTECTORS	WDG RTDs	BRG RTDs			
NONE	NOT	NONE	NONE	NONE	FALSE	NONE VOLTS

If Inverter equals NONE, contact factory for further information

*
N
O
T
E
S
*

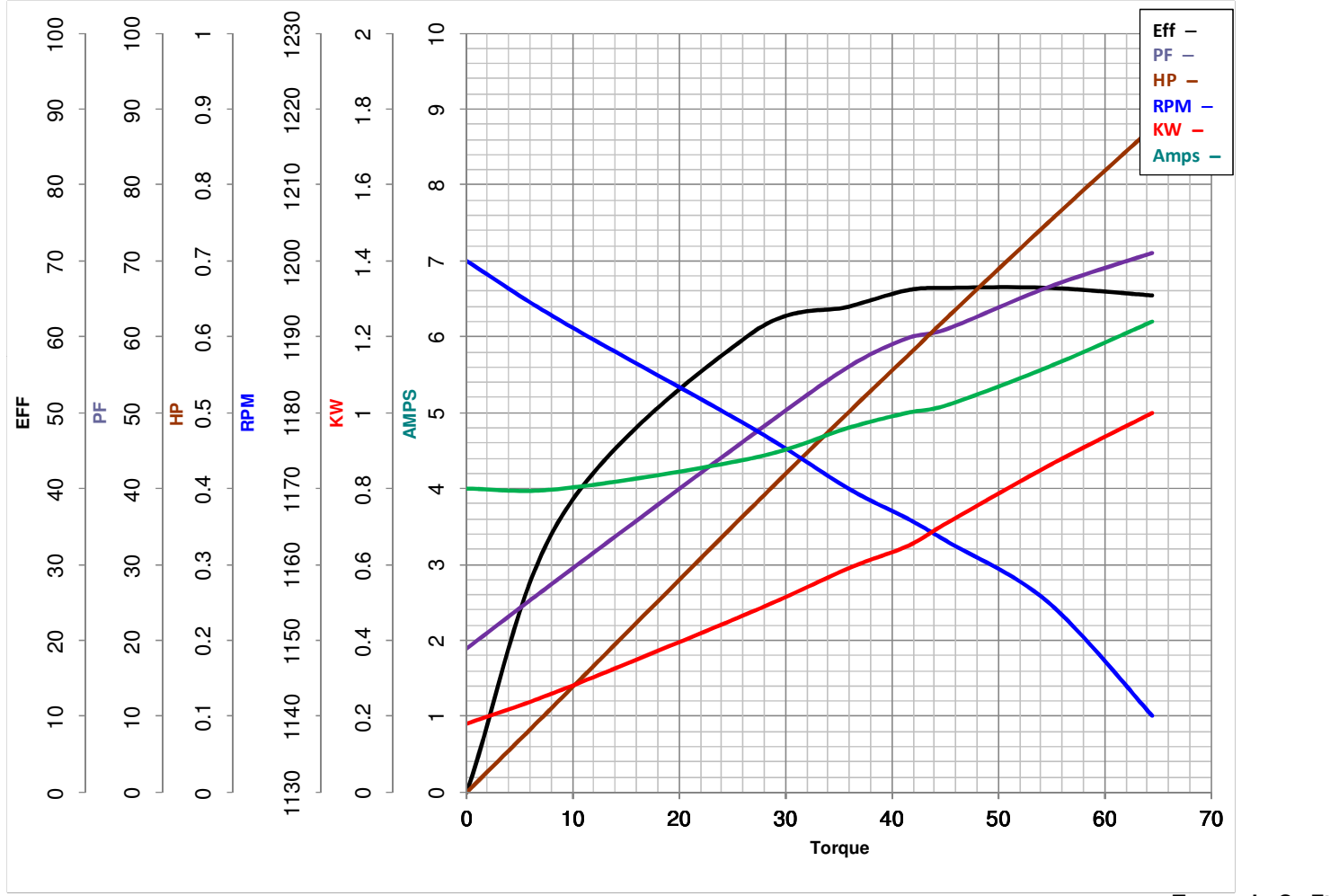
INVERTER TORQUE: NONE
INV. HP SPEED RANGE: NONE
ENCODER: NONE
NONE NONE
NONE NONE PPR
BRAKE: PROVISIONS FOR KIT NONE
NONE P/N NONE
NONE NONE
NONE FT-LB NONE V NONE Hz

DATE: 06/21/2017 07:57:40 AM
 FORM 3531 REV.3 02/07/99
 ** Subject to change without notice.

REGAL REXNORD CORPORATION

TYPICAL PERFORMANCE CURVE for AC MOTOR

Customer _____ Curve at 230 Volts HP 0.5&0.34 PHASE 1
 Model No 56B11F5303 60 HZ
0.5 HP VOLTS 115/208-230&110/220
 Catalog No G578 HZ 60&50 RPM 1140&950



FL TORQUE 35.9 Oz.Ft
 BD TORQUE 104.0 Oz.Ft
 LR TORQUE 109 Oz.Ft

FL AMPS 9.6/4.7-4.8
 PU TORQUE 78.9 Oz.Ft
 LR AMPS 23.5

WINDING ZB601-3 Prepared By VINAYAK Date 8/21/2017

REV 1 - CHANGED FROM MARATHON TO LEESON - 3/25/2025

EC Declaration of Conformity

The undersigned representing
the manufacturer:

Regal Beloit America
1946 West Cook Road
Fort Wayne, IN 46818

and the authorized representative
established within the Community:

Regal Beloit Italy
Via Modena, 18
24040 Ciserano(BG) - Italy

are committed to providing customers with products that comply with applicable regulations and international protocols to which they are subject, including the requirements of the European Parliament Directive on the Harmonization of the laws relating to electrical equipment designed for use within certain voltage limits (2014/35/EU).

Regal Beloit America declares that the following product(s), to which this declaration relates, are in conformity with the relevant sections of the EC standards listed below.

This statement supersedes any statements previously issued pertaining to the product(s) listed below and is subject to change without notice.

Model No : 056B11F5303

(Model No. may contain prefix and/or suffix characters)

Catalog No : G578

Rework No : N/A

Directives :

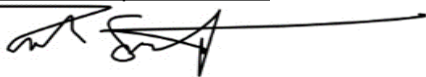
Low Voltage Directive 2014/35/EU

Harmonized Standards Used :

EN 60034-1: 2010 (IEC 60034-1: 2010)

EN 60034-5: 2001/A1:2007 (IEC 60034-5: 2000/A1:2006)

Authorized Representative:



Zach Stauffer
Vice President, Engineering

Authorized Representative in the Community:



Stefano Casiraghi
Technology Director, Engineering

Created on 07/08/2025

CE 25