

PRODUCT INFORMATION PACKET



Model No: 056B17D11037

Catalog No: C159A

General Purpose Motor, 0.33 & 0.33 HP, 1 Ph, 60 & 50 Hz, 115/230 & 110/220 V, 1800 & 1500 RPM,
56 Frame, DP



Regal and LEESON are trademarks of Regal Rexnord Corporation or one of its affiliated companies.

©2025 Regal Rexnord Corporation, All Rights Reserved. MC017097E



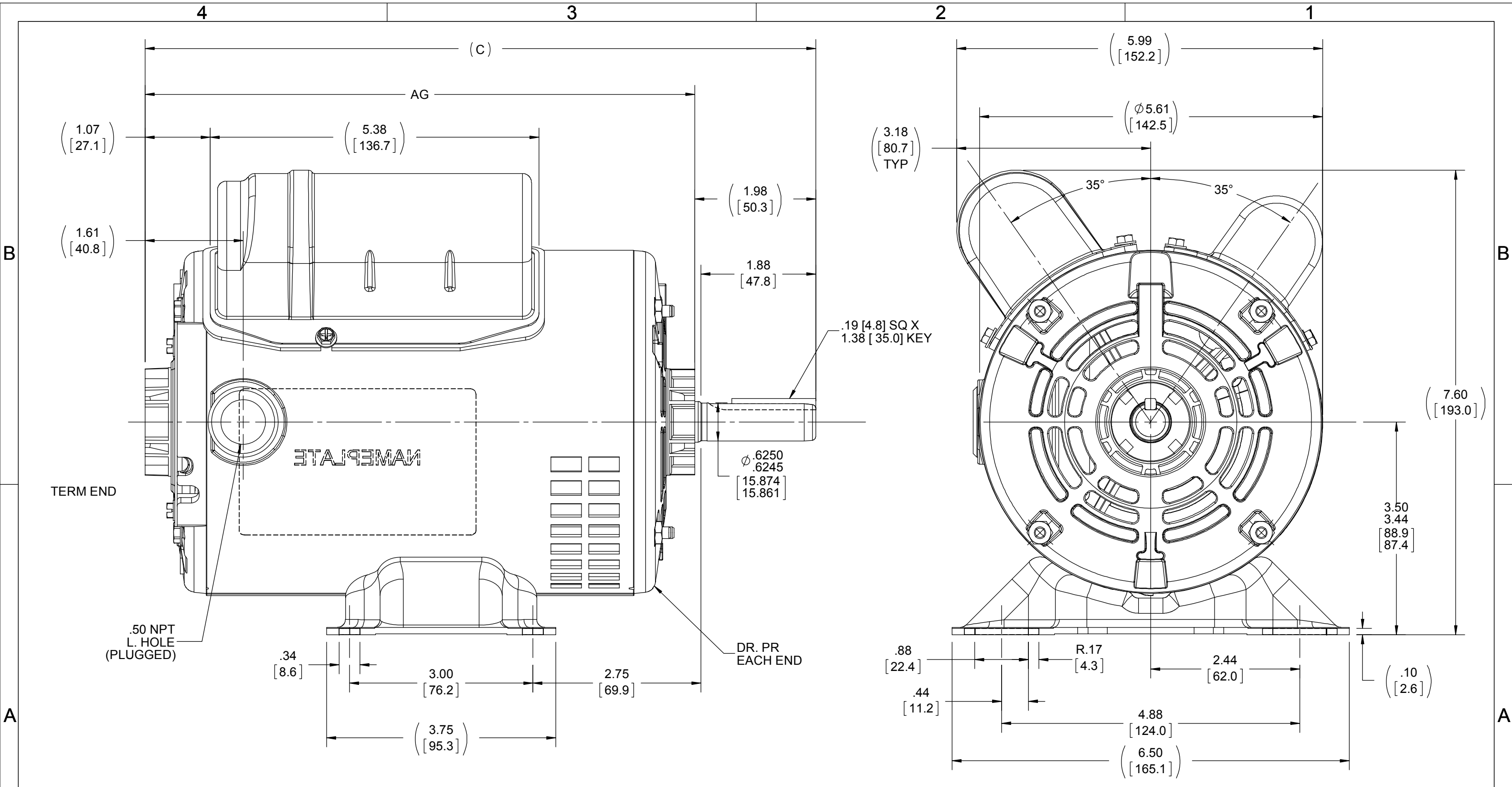


Nameplate Specifications

Phase	1	Output HP	0.33 & 0.33 Hp
Output KW	0.25 & 0.25 kW	Voltage	115/230 & 110/220 V
Speed	1725 & 1425 rpm	Service Factor	1.35 & 1.35
Frame	56	Enclosure	Drip Proof
Thermal Protection	Automatic	Efficiency	72.4 & 66 %
Ambient Temperature	40 °C	Frequency	60 & 50 Hz
Current	3.8/1.9 & 4.8/2.4 A	Power Factor	79
Duty	Continuous	Insulation Class	B
Design Code	NO DESIGN CODE	KVA Code	L
Drive End Bearing Size	6203	Opp Drive End Bearing Size	6203
UL	Recognized	CSA	Y
CE	Y	IP Code	22
Number of Speeds	1		

Technical Specifications

Electrical Type	Capacitor Start Capacitor Run	Starting Method	Across The Line
Poles	4	Rotation	Selective Counterclockwise
Resistance Main	0 Ohms	Mounting	Rigid Base
Motor Orientation	Horizontal	Drive End Bearing	Ball
Opp Drive End Bearing	Ball	Frame Material	Rolled Steel
Shaft Type	NEMA 56	Overall Length	10.31 in
Frame Length	7.00 in	Shaft Diameter	0.625 in
Shaft Extension	1.97 in	Assembly/Box Mounting	F1 ONLY
Outline Drawing	B-SS404321-700	Connection Drawing	EE9002F



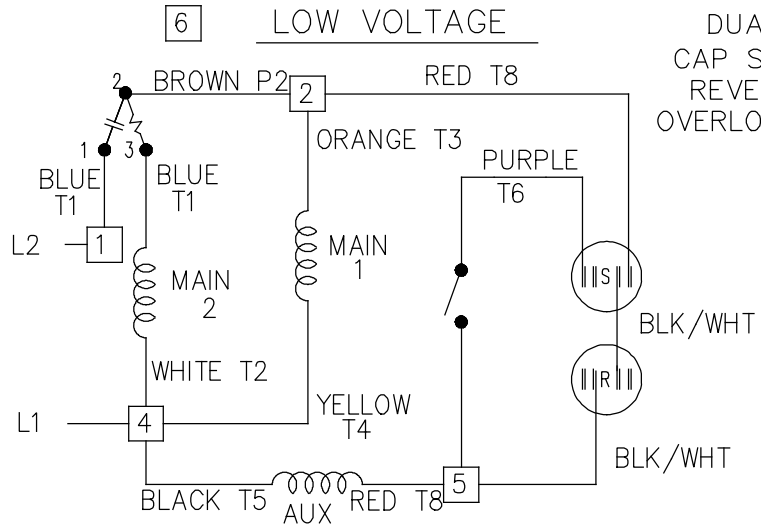
DASH	C	AG
700	10.98 [278.8]	9.00 [228.6]
800	11.98 [304.2]	10.00 [254.0]

DRAWING REVISION A	REVISION BY S.MUDDA	REV DATE/© DATE 12/11/2018
ECO ECO-0166984	APPROVED BY	DATE
ECO DESCRIPTION OUTLINE CONVERSION PROJECT		
<small>COPYRIGHT (PER REVISION DATE) REGAL BELOIT AMERICA, INC. ALL RIGHTS RESERVED. PROPRIETARY AND CONFIDENTIAL INFORMATION - THIS DOCUMENT IS THE PROPERTY OF REGAL BELOIT AMERICA, INC. ("OWNER") AND CONTAINS OWNER'S PROPRIETARY INFORMATION. ANY PERSON, CORPORATION OR OTHER FIRM RECEIVING IT IS DEEMED, BY RECEIVING IT, TO AGREE THAT IT, AND/OR ANY PART OF IT, SHALL NOT BE DISCLOSED TO ANY PERSON, CORPORATION OR OTHER ENTITY, DUPLICATED, AND/OR USED, EXCEPT AS EXPRESSLY APPROVED IN WRITING IN ADVANCE BY OWNER. THIS DOCUMENT SHALL BE RETURNED TO OWNER UPON REQUEST. IT MAY BE SUBJECT TO CERTAIN RESTRICTIONS UNDER APPLICABLE EXPORT CONTROL LAWS AND REGULATIONS.</small>		

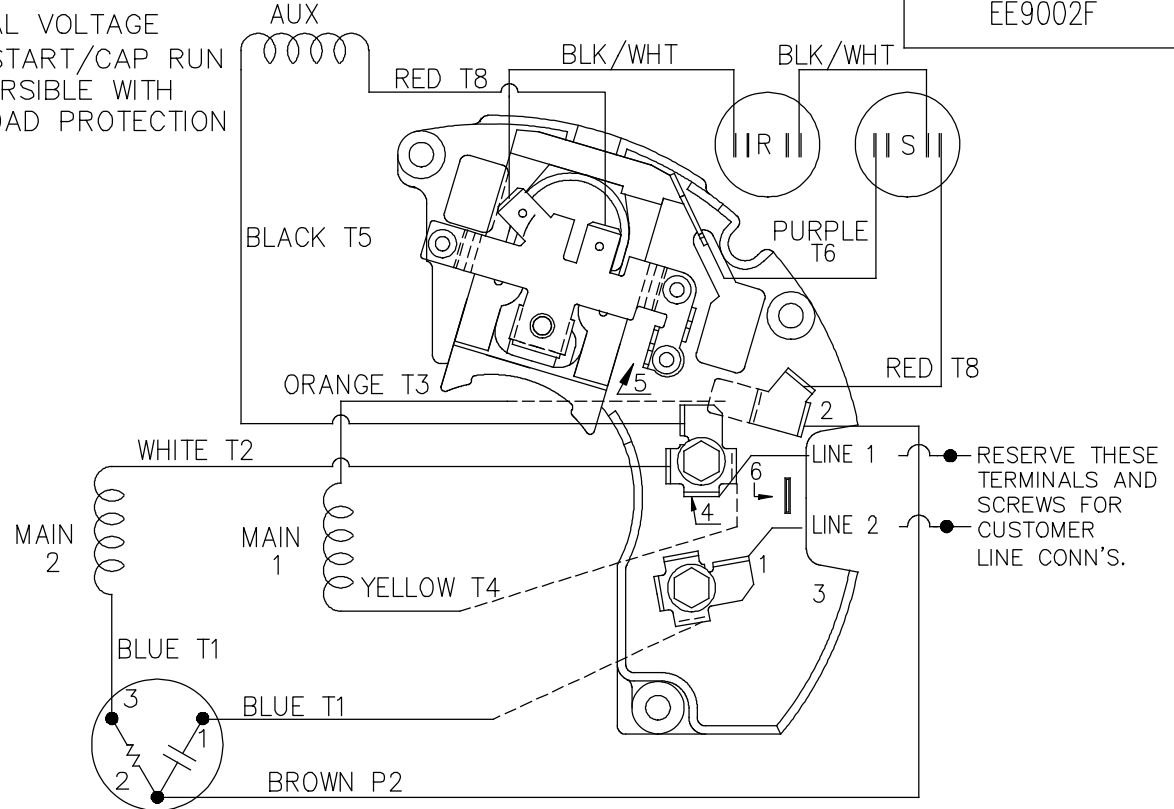
TOLERANCES (EXCEPT AS NOTED):			
DEC.	INCH	mm	ANGLE
.X	±0.1	[±3]	±7' 30"
.XX	±0.03	[±0.8]	
.XXX	±0.005	[±0.13]	
.XXXX	±0.0005	[±0.013]	
REMOVE BURRS & BREAK SHARP EDGES: .003/.015 [08/38] X 45°			
CORNER FILLETS: R.02 [5]			
MACHINED SURFACES: 200/ INCH 5.1/mm			
mm DIMENSIONS IN [BRACKETS] ARE FOR REFERENCE ONLY			

DRAWN BY S.MUDDA	DATE 12/11/2018
APPROVED BY D SURYAWANSHI	DATE 05/13/2019
REFERENCE SS404113/SS75609	
THIRD ANGLE PROJECTION	

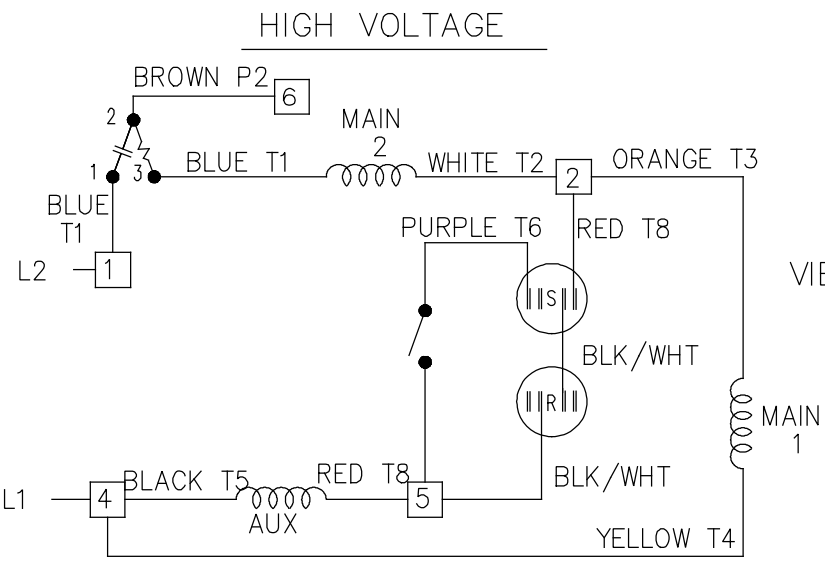
REGAL Regal Beloit America, Inc.	
DESCRIPTION	OUTLINE 56 FRAME
MATERIAL	PROCESS/FINISH
SIZE B	DRAWING NUMBER SS404321
	SHEET 1 OF 1



DUAL VOLTAGE
CAP START/CAP RUN
REVERSIBLE WITH
OVERLOAD PROTECTION



VIEWING TERM END




LOW VOLTAGE CCW ROTATION SHOWN.

FOR HIGH VOLTAGE
CONNECT BROWN TERM 2 TO TERM 6.
CONNECT WHITE TERM 4 TO TERM 2.

TO REVERSE ROTATION EITHER
VOLTAGE INTERCHANGE RED
LEAD WITH BLACK LEAD.

DASH LINES INDICATE LEADS CONNECTED
TO MOTOR SIDE OF SWITCH.

RESERVE THESE
TERMINALS AND
SCREWS FOR
CUSTOMER
LINE CONN'S.

6	ADDED T MARKINGS	DS 07/19/2018	VC	TOLERANCES UNLESS SPECIFIED		 Regal Beloit America, Inc.	DRAWN ML 02-11-1988
5	REVISED LINE 2 LOCATION	RM 01-28-1991		DEC.	INCHES		CHK FG 02-11-1988
4	UPDATED SCHEMATIC PER CN 6014	DA 08-01-1990		.X	±	APPD DNR 03-11-1988	
3	RED LEAD FROM AUX WAS ON ANGLE TERM.	DA 07-02-1990		.XX	±	TITLE CONNECTION DIAGRAM	SCALE 1=1
	PURPLE LEAD WAS RED CN 6014			.XXX	±	48 FR. DUAL VOLTAGE REVERSIBLE	REF
2	ADDED CUSTOMER CONNECTION NOTE. CN 6011	BW 08-03-1989		.XXXX	±	MAT'L.	FMF
NO.	REVISION	BY & DATE	CHK	ANG	±	FINISH	PREV
THIS DRAWING IN DESIGN AND DETAIL IS OUR PROPERTY AND MUST NOT BE USED EXCEPT IN CONNECTION WITH OUR WORK ALL RIGHTS OF DESIGN AND INVENTION ARE RESERVED THIS IS AN ELECTRONICALLY GENERATED DOCUMENT - DO NOT SCALE THIS PRINT			RFP	CAD FILE EE9002F		SIZE	DRAWING NO. PAGE OF REV.
			DIST WP			A	EE9002F 6

CERTIFICATION DATA SHEET

Model#: 56B17D11037 A
CONN. DIAGRAM: EE9002F
OUTLINE: A-SS404114-700

WINDING#: BE484111 NONE 3
ASSEMBLY: F1 ONLY

TYPICAL MOTOR PERFORMANCE DATA

HP	KW	SYNC. RPM	F.L. RPM	FRAME	ENCLOSURE	KVA CODE	DESIGN
1/3&1/3	0.25&0.25	1800	1725&1425	56	DP	L	NO DESIGN CODE

PH	Hz	VOLTS	FL AMPS	START TYPE	DUTY	INSL	S.F	AMB°C	ELEVATION
1	60/50	115/230#110/220	3.8/1.9&4.8/2.4	ACROSS THE LINE	CONTINUOUS	B3	1.35/1.35	40	3300

FULL LOAD EFF: 72.4&66	3/4 LOAD EFF: 61.2	1/2 LOAD EFF: 51.4	GTD. EFF	ELEC. TYPE	NO LOAD AMPS
FULL LOAD PF: 79&67.3	3/4 LOAD PF: 76.3	1/2 LOAD PF: 69.2	72.4	CAP START CAP RUN	2.5 / 1.2

F.L. TORQUE	LOCKED ROTOR AMPS	L.R. TORQUE	B.D. TORQUE	F.L. RISE°C
16 LB-FT	28.4 / 14.2	58 LB-FT 362	43.5 LB-FT 272	30

SOUND PRESSURE @ 3 FT.	SOUND POWER	ROTOR WK^2	MAX. WK^2	SAFE STALL TIME	STARTS / HOUR	APPROX. MOTOR WGT
0 dBA	10 dBA	0 LB-FT^2	0 LB-FT^2	10 SEC.	0	0 LBS.

***** SUPPLEMENTAL INFORMATION *****

DE BRACKET TYPE	ODE BRACKET TYPE	MOUNT TYPE	ORIENTATION	SEVERE DUTY	HAZARDOUS LOCATION	DRIP COVER	SCREENS	PAINT
STANDARD	STANDARD	RIGID	HORIZONTAL	FALSE	NONE	FALSE	NONE	GRAY (POWDER)

BEARINGS		GREASE	SHAFT TYPE	SPECIAL DE	SPECIAL ODE	SHAFT MATERIAL	FRAME MATERIAL
DE	OPE						
BALL	BALL	POLYREX EM	STANDARD 56	NONE	NONE	1144 STRESSPROOF (C-223)	ROLLED STEEL
6203	6203						

THERMO-PROTECTORS				THERMISTORS	CONTROL	SPACE /n HEATERS
THERMOSTATS	PROTECTORS	WDG RTDs	BRG RTDs			
NONE	AUTOMATIC	NONE	NONE	NONE	FALSE	NONE VOLTS

If Inverter equals NONE, contact factory for further information

INVERTER TORQUE: NONE
INV. HP SPEED RANGE: NONE
ENCODER: NONE
NONE NONE
NONE NONE PPR
BRAKE: NONE NONE
NONE P/N NONE
NONE NONE
NONE FT-LB NONE V NONE Hz

*
N
O
T
E
S
*

** Subject to change without notice.



REGAL REXNORD CORPORATION
TYPICAL PERFORMANCE CURVE for AC MOTOR

Customer

Curve at

230 Volts
60 HZ
0.33 HP

HP 0.33&0.33

PHASE 1

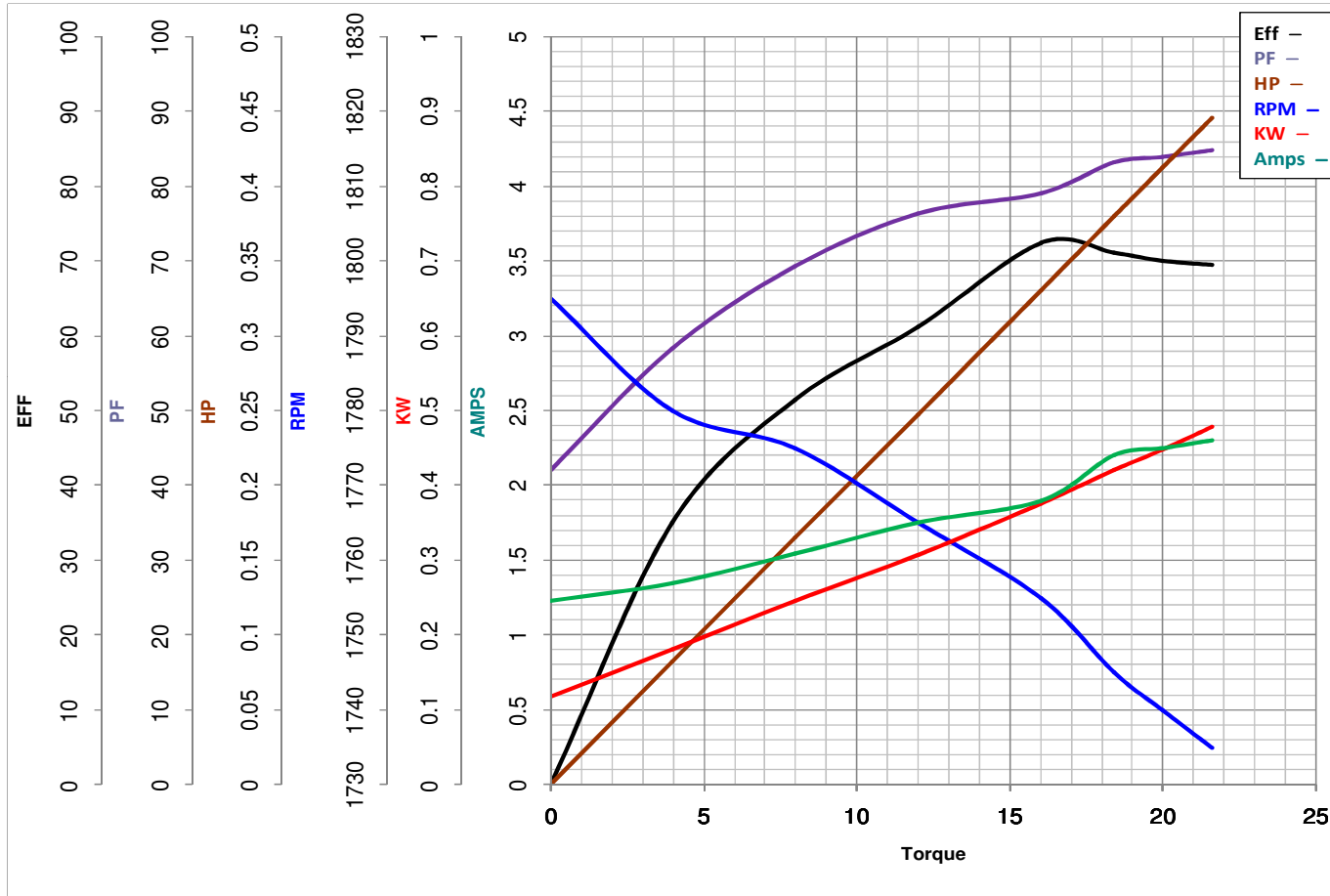
Model No 56B17D11037

VOLTS 115/230&110/220

Catalog No C159A

HZ 60&50

RPM 1725&1425



Torque in Oz.Ft

FL TORQUE 16 Oz.Ft
BD TORQUE 43.5 Oz.Ft
LR TORQUE 58 Oz.Ft

FL AMPS 3.8/1.9
PU TORQUE 58.0 Oz.Ft
LR AMPS 14.2

WINDING BE484111-3

Date 1/11/2019

EC Declaration of Conformity

The undersigned representing
the manufacturer:

Regal Beloit America
1946 West Cook Road
Fort Wayne, IN 46818

and the authorized representative
established within the Community:

Regal Beloit Italy
Via Modena, 18
24040 Ciserano(BG) - Italy

are committed to providing customers with products that comply with applicable regulations and international protocols to which they are subject, including the requirements of the European Parliament Directive on the Harmonization of the laws relating to electrical equipment designed for use within certain voltage limits (2014/35/EU).

Regal Beloit America declares that the following product(s), to which this declaration relates, are in conformity with the relevant sections of the EC standards listed below.

This statement supersedes any statements previously issued pertaining to the product(s) listed below and is subject to change without notice.

Model No : 056B17D11037

(Model No. may contain prefix and/or suffix characters)

Catalog No : C159A

Rework No : N/A

Directives :

Low Voltage Directive 2014/35/EU

Harmonized Standards Used :

EN 60034-1: 2010 (IEC 60034-1: 2010)

EN 60034-5: 2001/A1:2007 (IEC 60034-5: 2000/A1:2006)

Authorized Representative:



Zach Stauffer
Vice President, Engineering

Authorized Representative in the Community:



Stefano Casiraghi
Technology Director, Engineering

Created on 07/08/2025

CE 25