

PRODUCT INFORMATION PACKET



Model No: 056B17D2012

Catalog No: G156

General Purpose Motor, 0.75 HP, 1 Ph, 60 Hz, 115/208-230 V, 1800 RPM, 56 Frame, DP



Regal and LEESON are trademarks of Regal Rexnord Corporation or one of its affiliated companies.
©2025 Regal Rexnord Corporation, All Rights Reserved. MC017097E



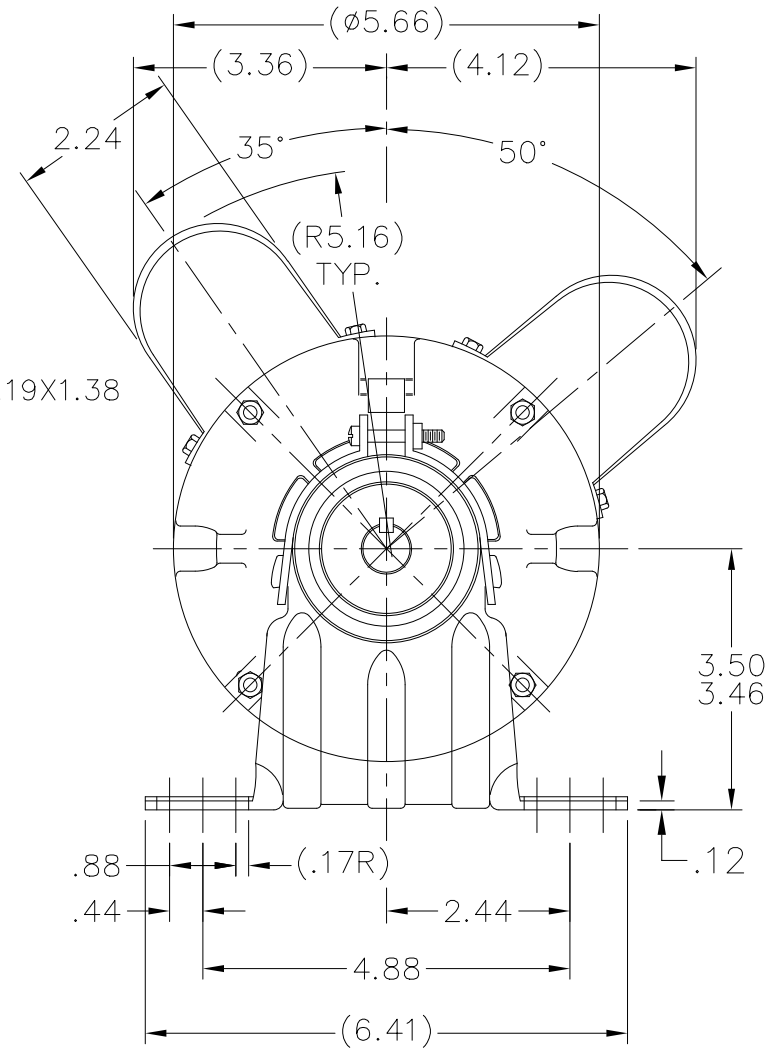
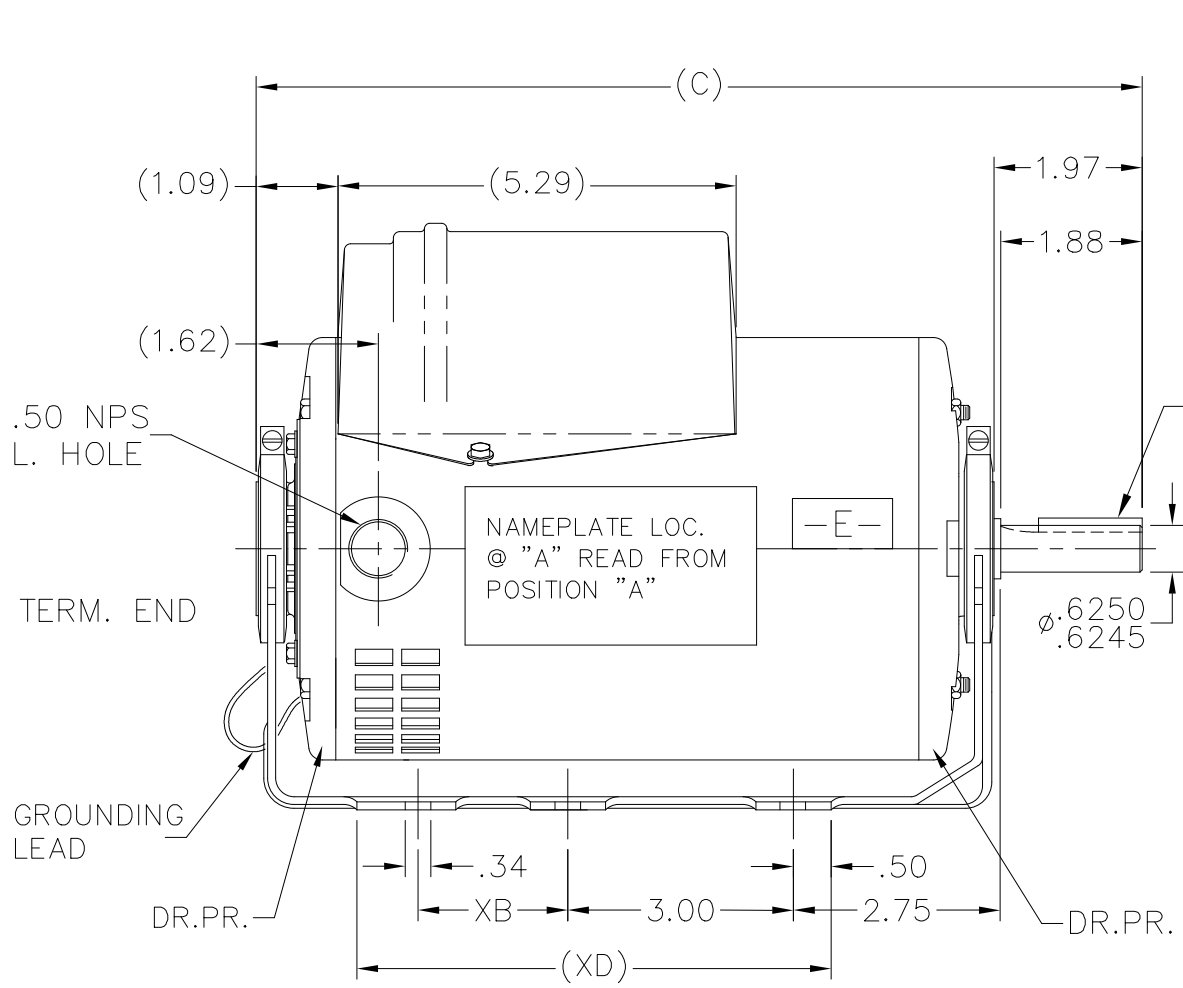


Nameplate Specifications

Phase	1	Output HP	0.75 Hp
Output KW	0.56 kW	Voltage	115/208-230 V
Speed	1725 rpm	Service Factor	1.25
Frame	56	Enclosure	Drip Proof
Thermal Protection	No Protection	Efficiency	72 %
Ambient Temperature	40 °C	Frequency	60 Hz
Current	11.0/5.5-5.5 A	Power Factor	61.5
Duty	Continuous	Insulation Class	B
Design Code	NO DESIGN CODE	KVA Code	K
Drive End Bearing Size	6203	Opp Drive End Bearing Size	6203
UL	Recognized	CSA	Y
CE	N	IP Code	22
Number of Speeds	1		

Technical Specifications

Electrical Type	Capacitor Start Capacitor Run	Starting Method	Across The Line
Poles	4	Rotation	Selective Counterclockwise
Resistance Main	0 Ohms	Mounting	Resilient Base
Motor Orientation	Horizontal	Drive End Bearing	Ball
Opp Drive End Bearing	Ball	Frame Material	Rolled Steel
Shaft Type	NEMA 56	Overall Length	11.47 in
Frame Length	7.50 in	Shaft Diameter	0.625 in
Shaft Extension	1.97 in	Assembly/Box Mounting	F1 ONLY
Outline Drawing	A-SS75502-750	Connection Drawing	A-EE9002J



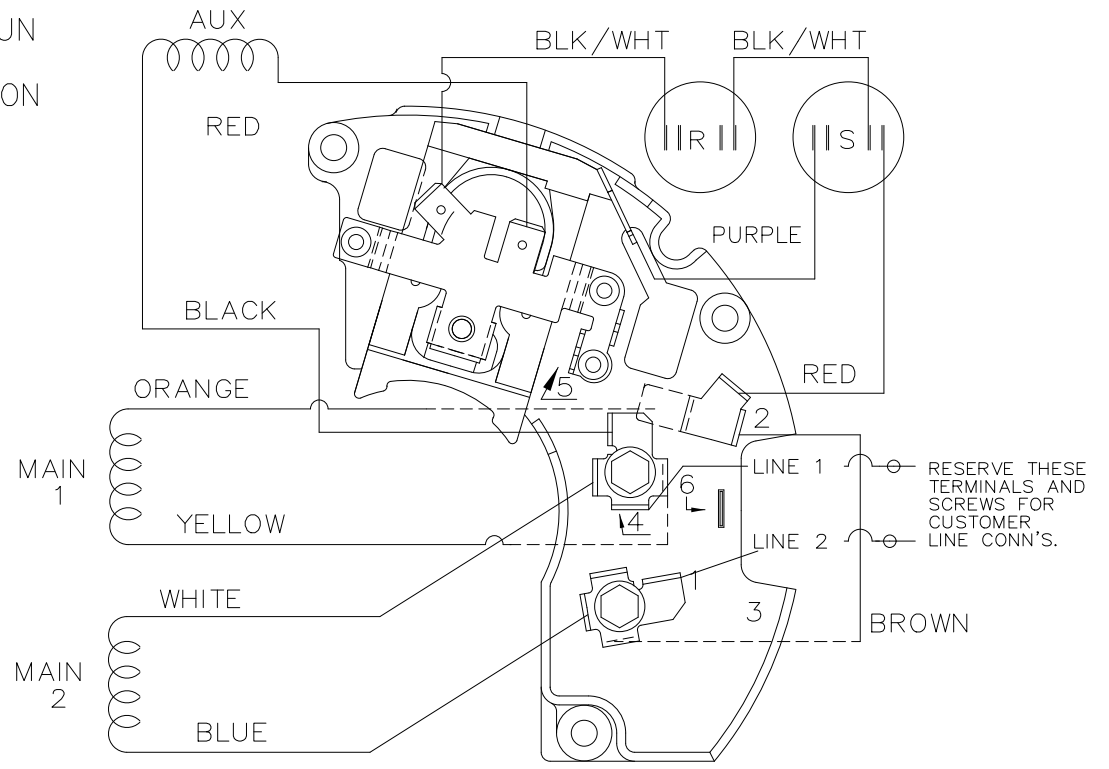
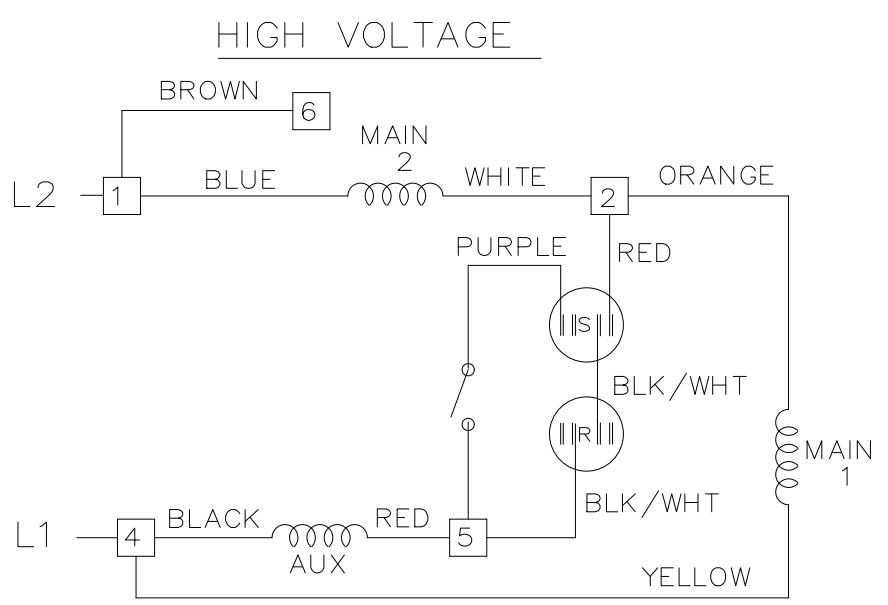
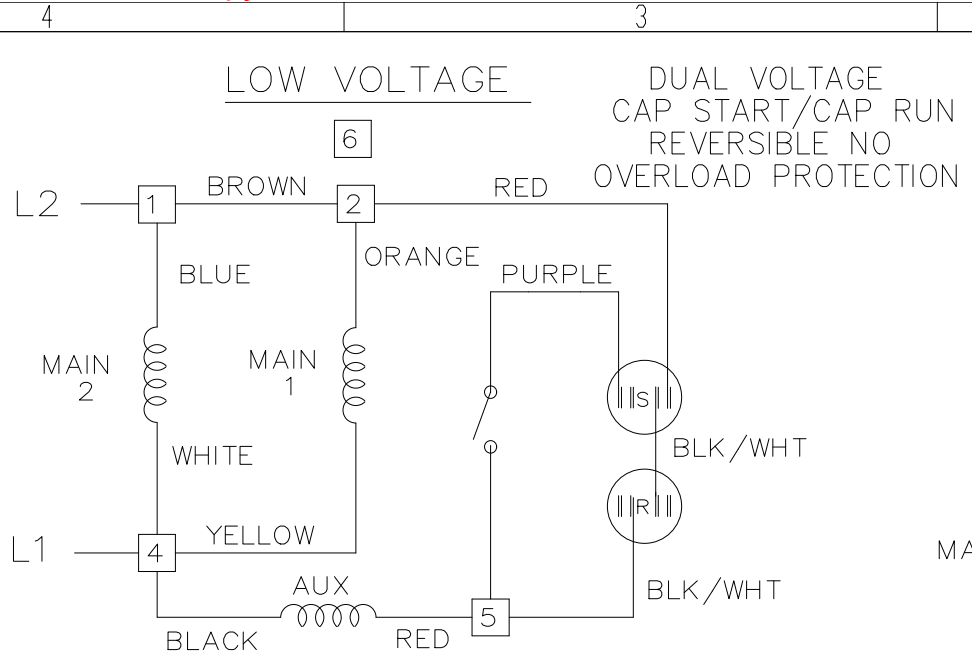
DASH	XB	XD	C
750	2.00	6.00	11.47

NO.	REVISION	BY & DATE	CHK	TOLERANCES UNLESS SPECIFIED		FINISH
				DEC.	INCHES	
4	CHG FROM MARATHON TO RRX TEMPLATE PER ECR-0233452	MD 5/2/24	DS	.X	±.1	
3	UPDATED DRAWING	TJW 04/20/2007		.XX	±.03	TITLE OUTLINE
2	REDRAWN IN AUTOCAD	TAT 09-01-2004	ML	.XXX	±.005	
1	NEW DRAWING 3864982	RM 12-05-1991		.XXXX	±.0005	MAT'L.
				ANG	±7'30"	

		Regal Beloit America, Inc.		DRAWN RM 12-05-1991 CHK ML 12-06-1991 APPD GK 12-06-1991 SCALE 3=8 REF FMF PREV
				CAD FILE ss75502

THIS DRAWING IN DESIGN AND DETAIL IS OUR PROPERTY AND MUST NOT BE USED EXCEPT IN CONNECTION WITH OUR WORK ALL RIGHTS OF DESIGN AND INVENTION ARE RESERVED THIS IS AN ELECTRONICALLY GENERATED DOCUMENT - DO NOT SCALE THIS PRINT

RFP
DIST WP



VIEWING TERM END

LOW VOLTAGE CCW ROTATION SHOWN.

FOR HIGH VOLTAGE
CONNECT BROWN TERM 2 TO TERM 6.
CONNECT WHITE TERM 4 TO TERM 2.

TO REVERSE ROTATION EITHER
VOLTAGE INTERCHANGE RED
LEAD WITH BLACK LEAD.

DASH LINES INDICATE LEADS CONNECTED
TO MOTOR SIDE OF SWITCH.

DRAWING REVISION 3	REVISION BY KVDG	REV DATE/ DATE 05/06/2025
REQUEST NUMBER ECR-0242555	APPROVED BY DS	DATE 05/06/2025

REQUEST NUMBER DESCRIPTION
UPDATED THE DRAWING TO RRX TEMPLATE.

COPYRIGHT (PER REVISION DATE) REGAL BELOIT AMERICA, INC. ALL RIGHTS RESERVED. PROPRIETARY AND CONFIDENTIAL INFORMATION - THIS DOCUMENT IS THE PROPERTY OF REGAL BELOIT AMERICA, INC. (OWNER) AND CONTAINS OWNER'S PROPRIETARY INFORMATION. ANY PERSON, CORPORATION OR OTHER FIRM RECEIVING IT IS DEEMED, BY RECEIVING IT, TO AGREE THAT IT, AND/OR ANY PART OF IT, SHALL NOT BE DISCLOSED TO ANY PERSON, CORPORATION OR OTHER ENTITY, DUPLICATED, AND/OR USED, EXCEPT AS EXPRESSLY APPROVED IN WRITING IN ADVANCE BY OWNER. THIS DOCUMENT SHALL BE RETURNED TO OWNER UPON REQUEST. IT MAY BE SUBJECT TO CERTAIN RESTRICTIONS UNDER APPLICABLE EXPORT CONTROL LAWS AND REGULATIONS.

TOLERANCES (EXCEPT AS NOTED):
DEC. INCH — mm ANGLE
.X ±0.1 [±3] ±0.5°
.XX ±0.01 [±0.3]
.XXX ±0.005 [±0.13]
.XXXX ±0.0005 [±0.013]
REMOVE BURRS & BREAK SHARP
EDGES: .003/.015 [.08/.38] X 45
CORNER FILLETS: R.02 [-.5]
MACHINED SURFACES: 125 / 3.2
INCH / mm
mm DIMENSIONS IN [BRACKETS]
ARE FOR REFERENCE ONLY

DRAWN BY SVL	DATE 06/17/2013
APPROVED BY	DATE
REFERENCE EE9002J	THIRD ANGLE PROJECTION

Regal REXNORD		Regal Beloit America, Inc.	
DESCRIPTION CONNECTION DIAGRAM 48 FR. - DUAL VOLTAGE REVERSIBLE			
MAT'L	PROCESS/FINISH PRI32489	SIZE B	DRAWING NUMBER EE9002J
SHEET 1 OF 1			



REGAL REXNORD CORPORATION
TYPICAL PERFORMANCE CURVE for AC MOTOR

Customer

Curve at

230 Volts
60 HZ
0.75 HP

HP 0.75

PHASE 1

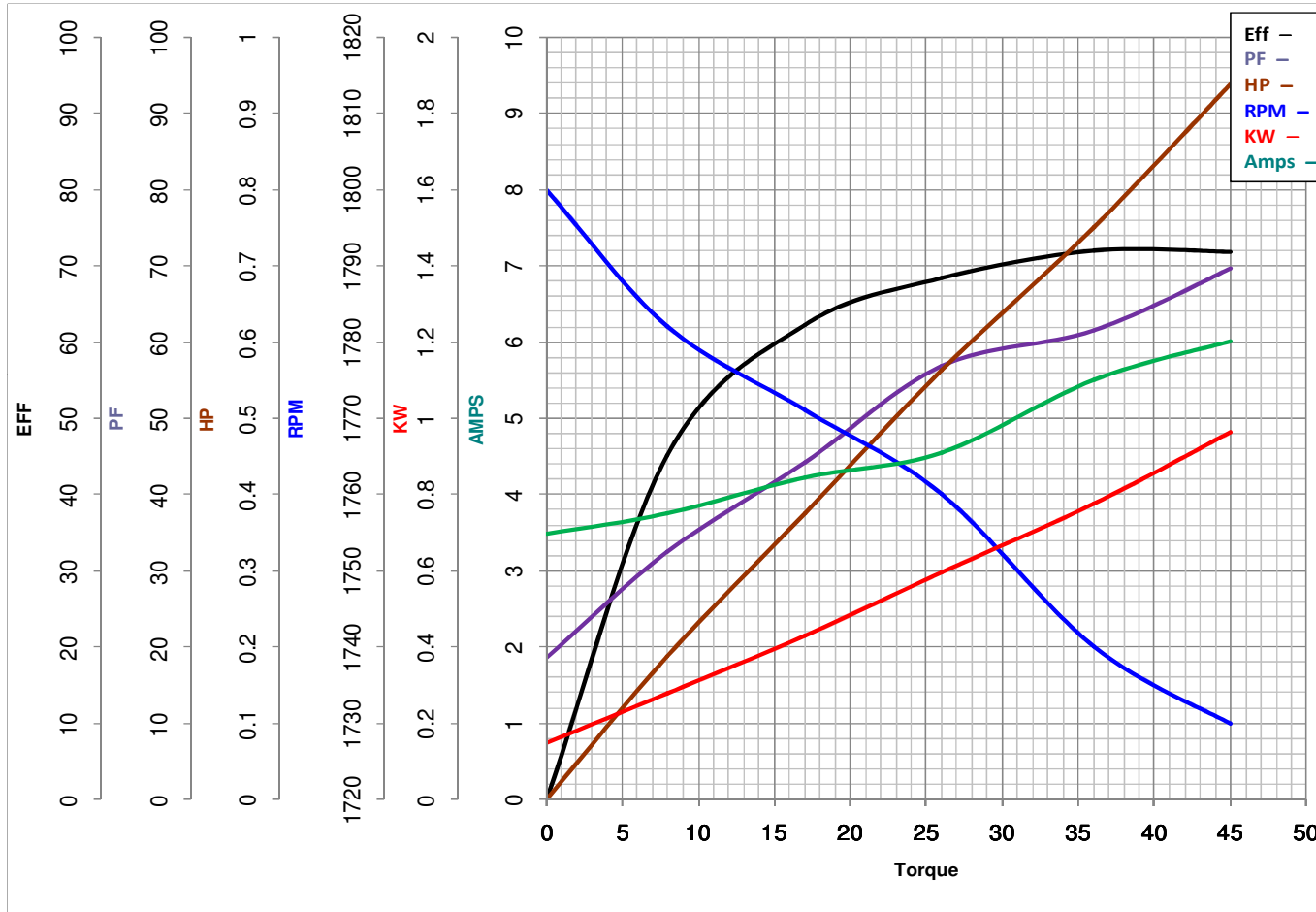
Model No 56B17D2012

VOLTS 115/208-230

Catalog No G156

HZ 60

RPM 1725



Torque in Oz.Ft

FL TORQUE 36 Oz.Ft
BD TORQUE 88.0 Oz.Ft
LR TORQUE 118 Oz.Ft

FL AMPS 11/5.5-5.5
PU TORQUE 80.0 Oz.Ft
LR AMPS 28.5

WINDING BE48410-3

Date 1/11/2019