

PRODUCT INFORMATION PACKET



Model No: 056B17F5306

Catalog No: G575

General Purpose Motor, 2 & 1.50 HP, 1 Ph, 60 & 50 Hz, 115/208-230 & 110/220 V, 1800 & 1500 RPM,
56HC Frame, TEFC



Regal and LEESON are trademarks of Regal Rexnord Corporation or one of its affiliated companies.
©2025 Regal Rexnord Corporation, All Rights Reserved. MC017097E





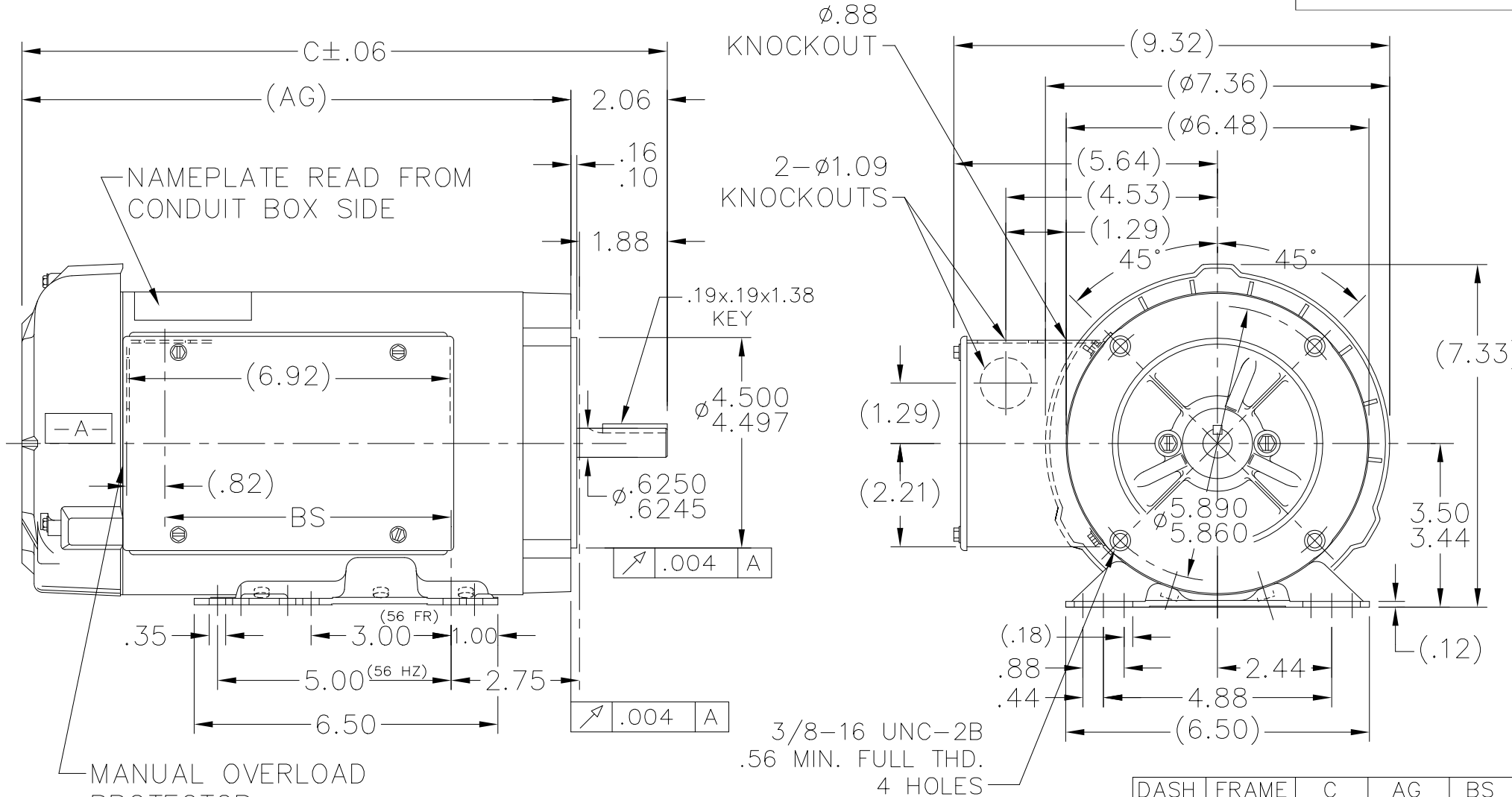
Nameplate Specifications

Phase	1	Output HP	2 & 1.50 Hp
Output KW	1.5 & 1.1 kW	Voltage	115/208-230 & 110/220 V
Speed	1725 & 1425 rpm	Service Factor	1.0 & 1.0
Frame	56HC	Enclosure	Totally Enclosed Fan Cooled
Thermal Protection	No Protection	Efficiency	80 & 72 %
Ambient Temperature	40 °C	Frequency	60 & 50 Hz
Current	20/10.8-10 & 22/11 A	Power Factor	81
Duty	Continuous	Insulation Class	F
Design Code	N	KVA Code	L
Drive End Bearing Size	6205	Opp Drive End Bearing Size	6203
UL	Recognized	CSA	Y
CE	Y	IP Code	43
Number of Speeds	1		

Technical Specifications

Electrical Type	Capacitor Start Capacitor Run	Starting Method	Across The Line
Poles	4	Rotation	Selective Counterclockwise
Resistance Main	0 Ohms	Mounting	Bolt-on Base
Motor Orientation	Horizontal	Drive End Bearing	Ball
Opp Drive End Bearing	Ball	Frame Material	Rolled Steel
Shaft Type	NEMA 56	Overall Length	14.81 in
Frame Length	9.56 in	Shaft Diameter	0.625 in
Shaft Extension	2.06 in	Assembly/Box Mounting	F1 ONLY
Outline Drawing	A-100144-956	Connection Drawing	102006-51

TERM. END

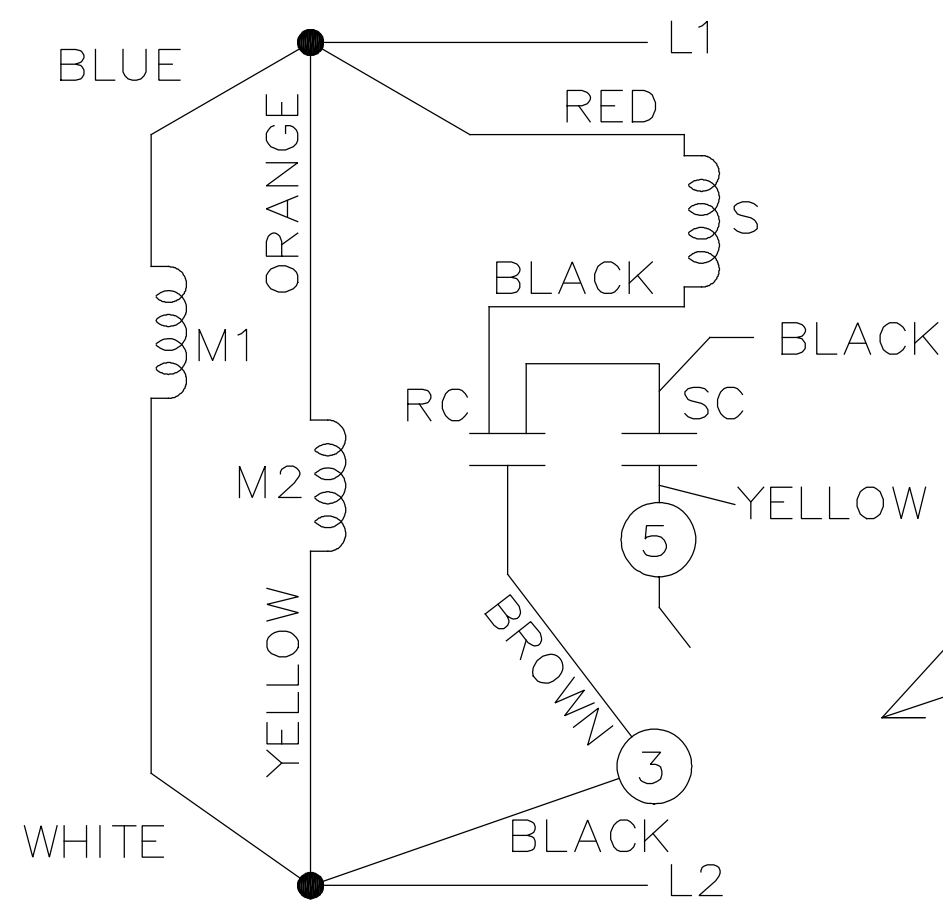


NOTES:
1. BASE IS REMOVEABLE

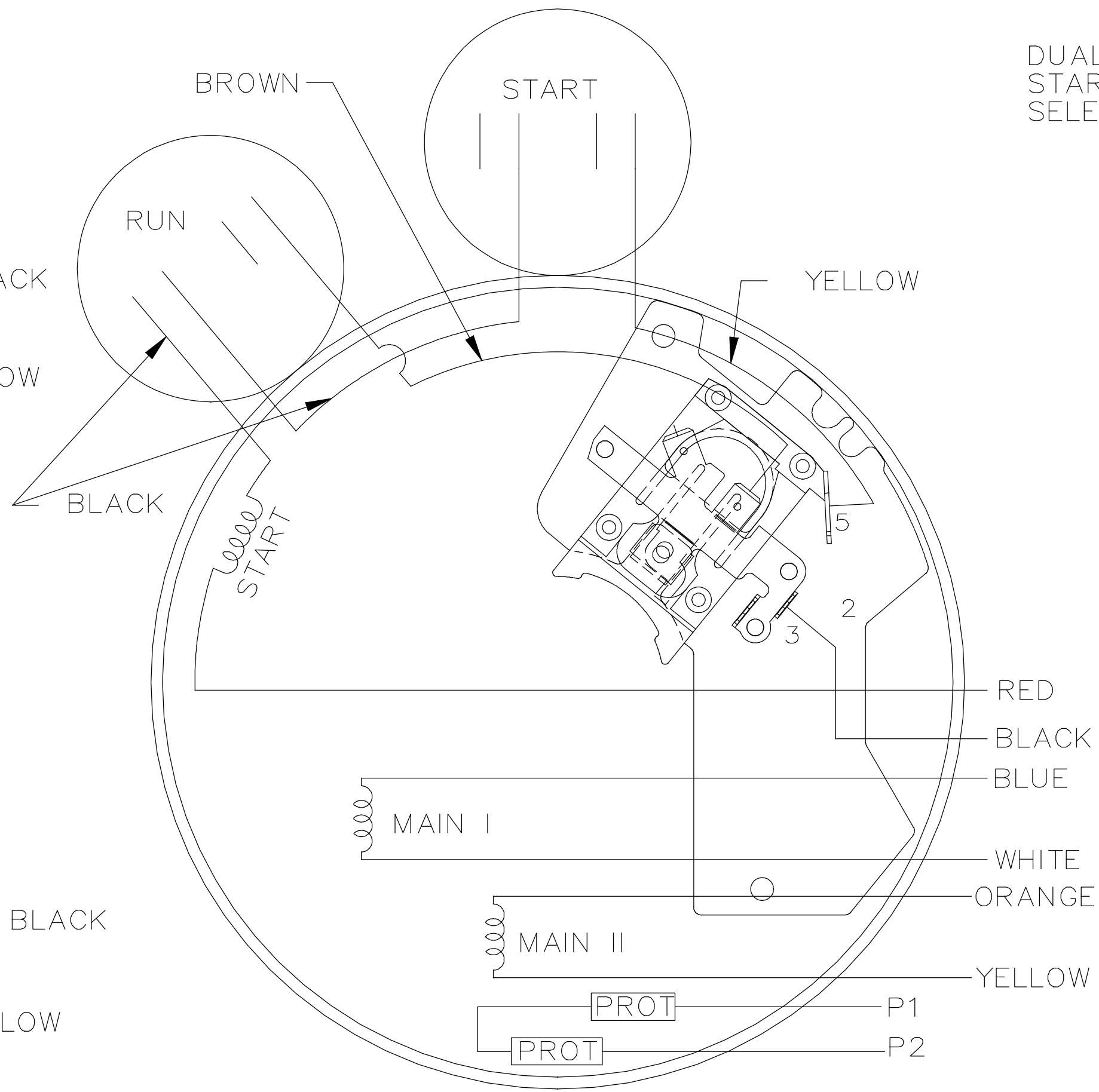
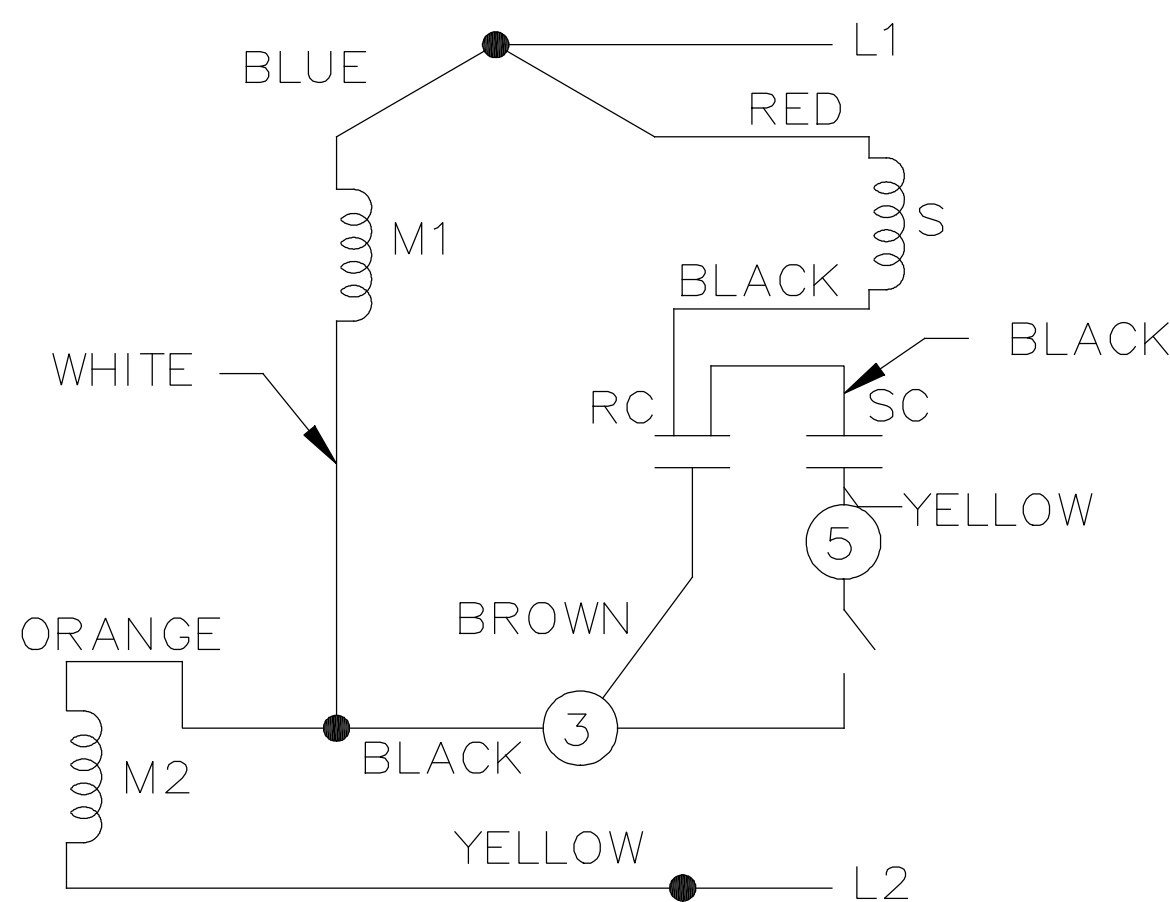
DASH	FRAME	C	AG	BS
806	56.80	13.31	11.25	5.63
856	"-75	13.81	11.75	6.13
906	"-80	14.31	12.25	6.63
956	"-85	14.81	12.75	7.13

		TOLERANCES UNLESS SPECIFIED		Regal Rexnord Regal Beloit America, Inc.		DRAWN BLR 05-27-1997		
		DEC.	INCHES	TITLE OUTLINE		CHK	ML 06-03-1997	
		.X	±.1	56 FR. - BB - TEFC - 1 ϕ - C"FACE <td>APPD</td> <td>GK 06-03-1997</td>		APPD	GK 06-03-1997	
		.XX	±.03	MAT'L. <td>SCALE</td> <td>5=16</td>		SCALE	5=16	
4	CHG FROM MARATHON TO REGAL REXNORD LOGO	KVDG 05-10-2024	DS	.XXX	±.005	REF		
3	REDRAWN ON CAD	BLR 06-03-1997		.XXXX	±.0005	FMF		
NO.	REVISION	BY & DATE	CHK	ANG	±7'30"	FINISH	PREV	
THIS DRAWING IN DESIGN AND DETAIL IS OUR PROPERTY AND MUST NOT BE USED EXCEPT IN CONNECTION WITH OUR WORK ALL RIGHTS OF DESIGN AND INVENTION ARE RESERVED THIS IS AN ELECTRONICALLY GENERATED DOCUMENT - DO NOT SCALE THIS PRINT		RFP	CAD FILE 100144		SIZE	DRAWING NO.	PAGE OF	REV.
		DIST WP	3 of 7		A	100144	3	3

LOW VOLTAGE C.C.W.

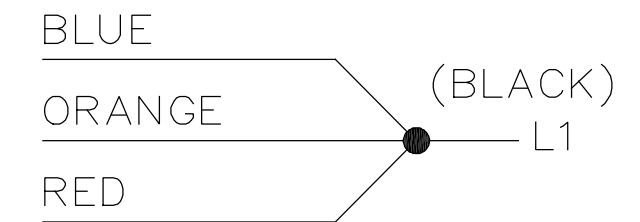


HIGH VOLTAGE C.C.W.

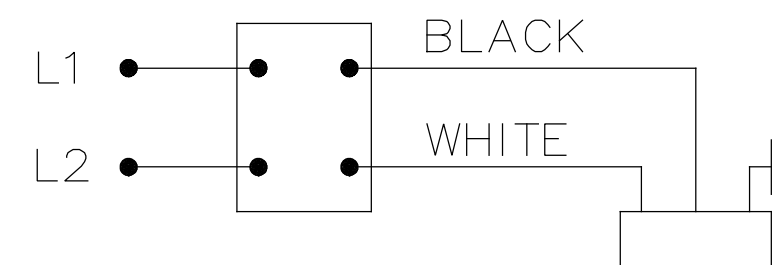
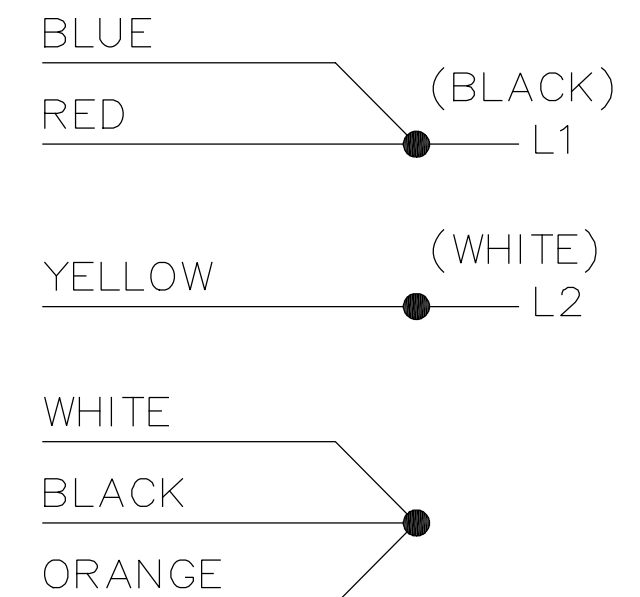


DUAL VOLTAGE CAPACITOR
START-CAP RUN NO OVERLOAD
SELECT ROTATION

LOW VOLTAGE C.C.W. ROTATION



HIGH VOLTAGE C.C.W. ROTATION



CORD CONN. WHEN SPECIFIED

FOR C.W. ROTATION,
EITHER VOLTAGE,
INTERCHANGE RED
WITH BLACK LEAD

		TOLERANCES UNLESS SPECIFIED		REGAL™ Regal Beloit America, Inc.	DRAWN	SG 05/14/19			
		DEC.	INCHES		CHK	CD 05/14/19			
		.X	±.1		APPD	CD 05/14/19			
		.XX	±.02	TITLE CONNECTION DIAGRAM	SCALE	1:1			
		.XXX	±.005		REF	102006-51			
01	CONVERTED TO DWG FILE	SG 05/14/19	CD .XXXX ±.0005	MAT'L.	FMF	PR141156			
NO.	REVISION	BY & DATE	CHK ANG ±7'30"	FINISH	PREV				
THIS DRAWING IN DESIGN AND DETAIL IS OUR PROPERTY AND MUST NOT BE USED EXCEPT IN CONNECTION WITH OUR WORK ALL RIGHTS OF DESIGN AND INVENTION ARE RESERVED THIS IS AN ELECTRONICALLY GENERATED DOCUMENT - DO NOT SCALE THIS PRINT				RFP	CAD FILE 102006-51	SIZE A	DRAWING NO. 102006-51	PAGE OF	REV. 01
				DIST WP					

CERTIFICATION DATA SHEET

Model#: 56B17F5306 L
CONN. DIAGRAM: 102006-51
OUTLINE: A-100144-956

WINDING#: ZB409 NONE 3
ASSEMBLY: F1 ONLY

TYPICAL MOTOR PERFORMANCE DATA

HP	KW	SYNC. RPM	F.L. RPM	FRAME	ENCLOSURE	KVA CODE	DESIGN
2&1 1/2	1.49&1.12	1800	1725&1425	56HC	TEFC	L	N

PH	Hz	VOLTS	FL AMPS	START TYPE	DUTY	INSL	S.F	AMB°C	ELEVATION
1	60/50	115/208-230#110/220	20/10.8-10&22/11	ACROSS THE LINE	CONTINUOUS	F3	1.0/1.0	40	3300

FULL LOAD EFF: 80&72	3/4 LOAD EFF: 80.2	1/2 LOAD EFF: 76.2	GTD. EFF	ELEC. TYPE	NO LOAD AMPS
FULL LOAD PF: 81&64	3/4 LOAD PF: 73	1/2 LOAD PF: 63.7	0	CAP START CAP RUN	9.9 / 5

F.L. TORQUE	LOCKED ROTOR AMPS	L.R. TORQUE	B.D. TORQUE	F.L. RISE°C
6.02 LB-FT	136 / 68	19.4 LB-FT 322	15.7 LB-FT 261	80

SOUND PRESSURE @ 3 FT.	SOUND POWER	ROTOR WK^2	MAX. WK^2	SAFE STALL TIME	STARTS / HOUR	APPROX. MOTOR WGT
- dBA	- dBA	0 LB-FT^2	- LB-FT^2	- SEC.	-	0 LBS.

***** SUPPLEMENTAL INFORMATION *****

DE BRACKET TYPE	ODE BRACKET TYPE	MOUNT TYPE	ORIENTATION	SEVERE DUTY	HAZARDOUS LOCATION	DRIP COVER	SCREENS	PAINT
C-FACE	BRAKE	BOLT-ON	HORIZONTAL	FALSE	NONE	FALSE	NONE	GRAY (POWDER)

BEARINGS		GREASE	SHAFT TYPE	SPECIAL DE	SPECIAL ODE	SHAFT MATERIAL	FRAME MATERIAL
DE	OPE						
BALL	BALL	POLYREX EM	STANDARD 56	NONE	NONE	1144 STRESSPROOF (C-223)	ROLLED STEEL
6205	6203						

THERMO-PROTECTORS				THERMISTORS	CONTROL	SPACE /n HEATERS
THERMOSTATS	PROTECTORS	WDG RTDs	BRG RTDs			
NONE	NOT	NONE	NONE	NONE	FALSE	NONE VOLTS

If Inverter equals NONE, contact factory for further information

*
N
O
T
E
S
*

INVERTER TORQUE: NONE
INV. HP SPEED RANGE: NONE
ENCODER: NONE
NONE NONE
NONE NONE PPR
BRAKE: PROVISIONS FOR KIT NONE
NONE P/N NONE
NONE NONE
NONE FT-LB NONE V NONE Hz

DATE: 06/21/2017 08:20:23 AM
 FORM 3531 REV.3 02/07/99

** Subject to change without notice.



REGAL REXNORD CORPORATION
TYPICAL PERFORMANCE CURVE for AC MOTOR

Customer

Curve at

230 Volts
60 HZ
2 HP

HP 2&1.5

PHASE 1

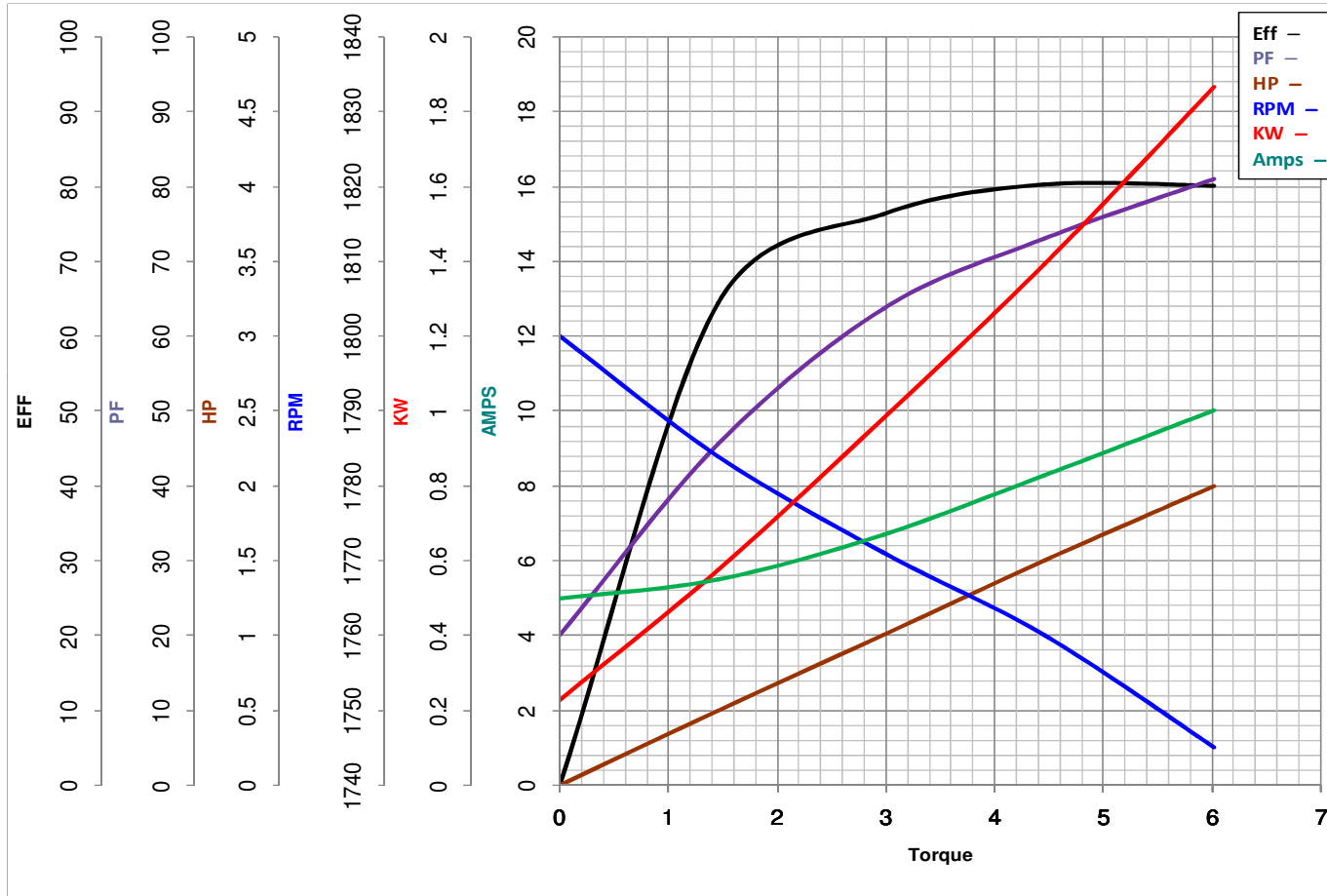
Model No 56B17F5306

VOLTS 115/208-230&110/220

Catalog No G575

HZ 60&50

RPM 1725&1425



Torque in Lb.Ft

FL TORQUE 6.02 Lb.Ft
BD TORQUE 15.7 Lb.Ft
LR TORQUE 19.4 Lb.Ft

FL AMPS 20/10.8-10
PU TORQUE 11.8 Lb.Ft
LR AMPS 68

WINDING ZB409-3

Date 1/11/2019

EC Declaration of Conformity

The undersigned representing
the manufacturer:

Regal Beloit America
1946 West Cook Road
Fort Wayne, IN 46818

and the authorized representative
established within the Community:

Regal Beloit Italy
Via Modena, 18
24040 Ciserano(BG) - Italy

are committed to providing customers with products that comply with applicable regulations and international protocols to which they are subject, including the requirements of the European Parliament Directive on the Harmonization of the laws relating to electrical equipment designed for use within certain voltage limits (2014/35/EU).

Regal Beloit America declares that the following product(s), to which this declaration relates, are in conformity with the relevant sections of the EC standards listed below.

This statement supersedes any statements previously issued pertaining to the product(s) listed below and is subject to change without notice.

Model No : 056B17F5306

(Model No. may contain prefix and/or suffix characters)

Catalog No : G575

Rework No : N/A

Directives :

Low Voltage Directive 2014/35/EU

Harmonized Standards Used :

EN 60034-1: 2010 (IEC 60034-1: 2010)

EN 60034-5: 2001/A1:2007 (IEC 60034-5: 2000/A1:2006)

Authorized Representative:



Zach Stauffer
Vice President, Engineering

Authorized Representative in the Community:



Stefano Casiraghi
Technology Director, Engineering

Created on 07/08/2025

CE 25