

PRODUCT INFORMATION PACKET



Model No: 056B34D11011

Catalog No: C187A

General Purpose Motor, 2 HP, 1 Ph, 60 Hz, 115/230 V, 3600 RPM, 56 Frame, DP

Operational at 208-115/230 V @60HZ



Regal and LEESON are trademarks of Regal Rexnord Corporation or one of its affiliated companies.
©2025 Regal Rexnord Corporation, All Rights Reserved. MC017097E





Nameplate Specifications

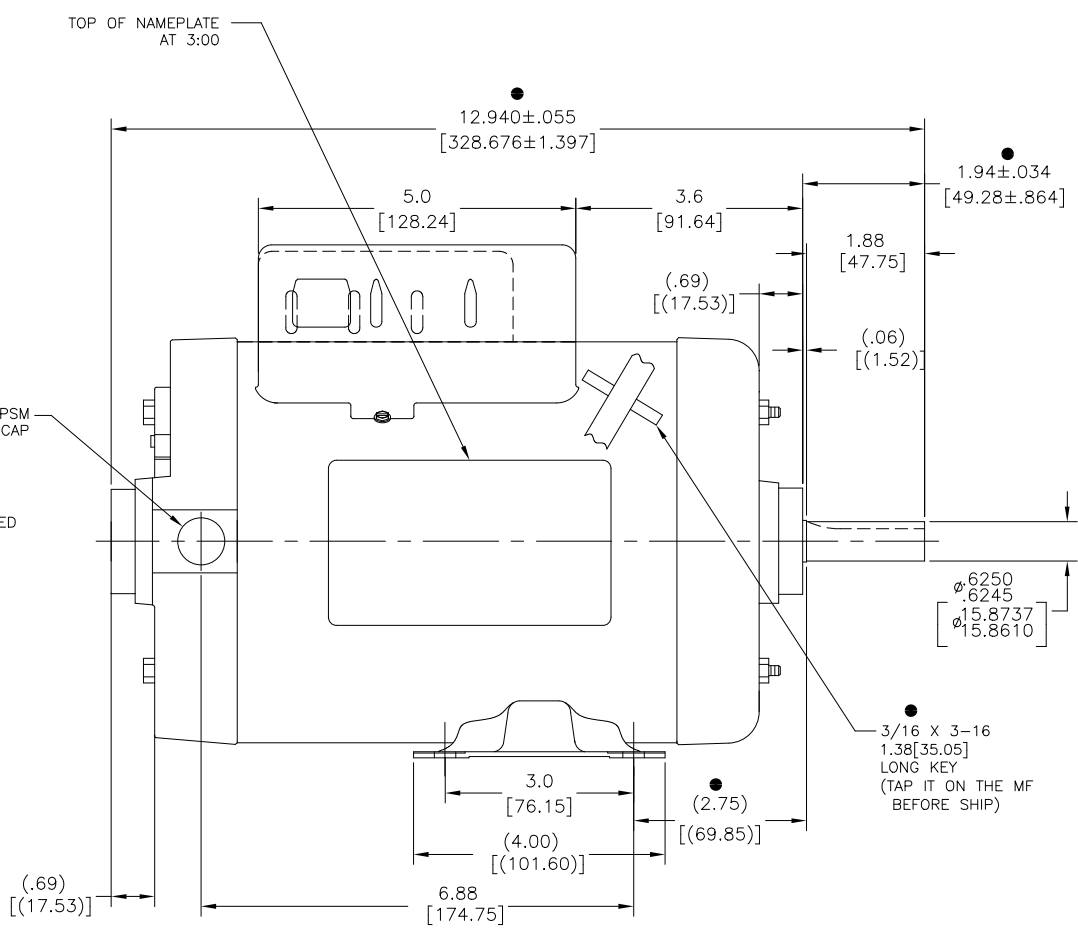
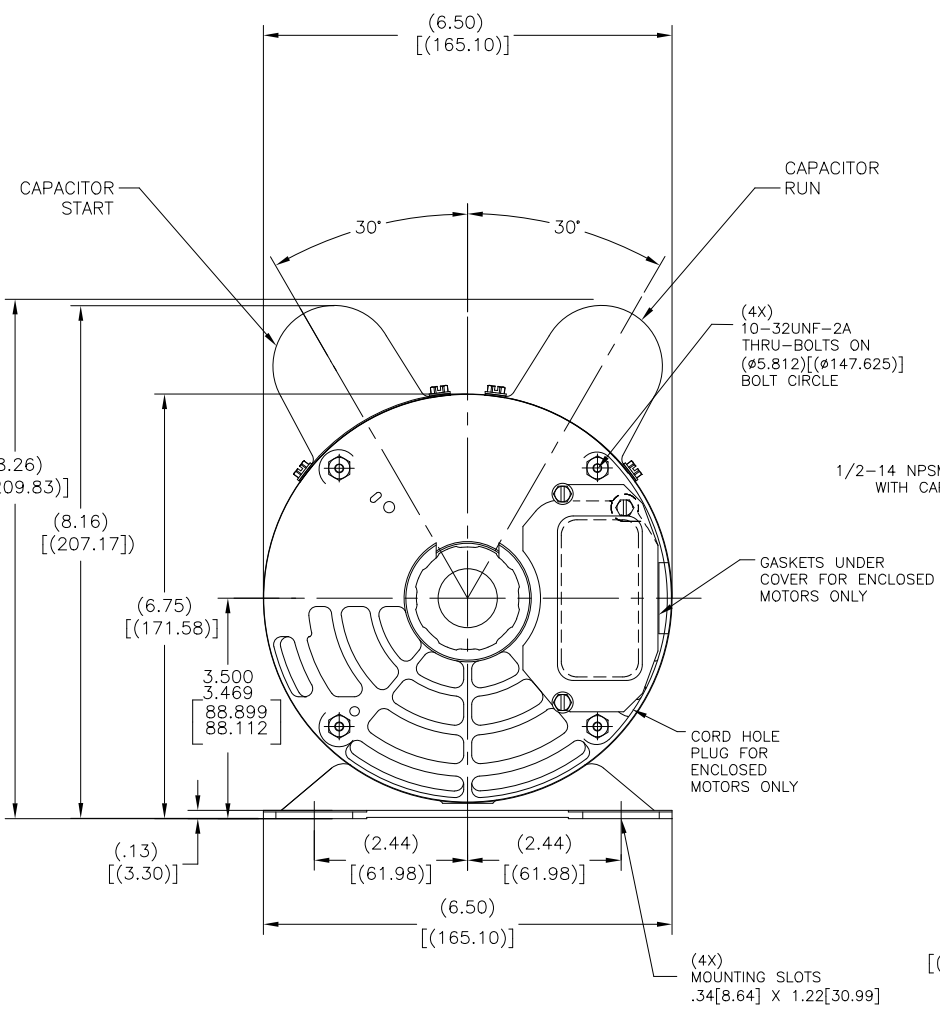
Phase	1	Output HP	2 Hp
Output KW	1.5 kW	Voltage	115/230 V
Speed	3450 rpm	Service Factor	1.15
Frame	56	Enclosure	Drip Proof
Thermal Protection	Manual	Efficiency	82.9 %
Ambient Temperature	40 °C	Frequency	60 Hz
Current	17.8/8.9 A	Power Factor	91.9
Duty	Continuous	Insulation Class	B
Design Code	NO DESIGN CODE	KVA Code	H
Drive End Bearing Size	6203	Opp Drive End Bearing Size	6203
UL	Recognized	CSA	Y
CE	Y	IP Code	22
Number of Speeds	1		

Technical Specifications

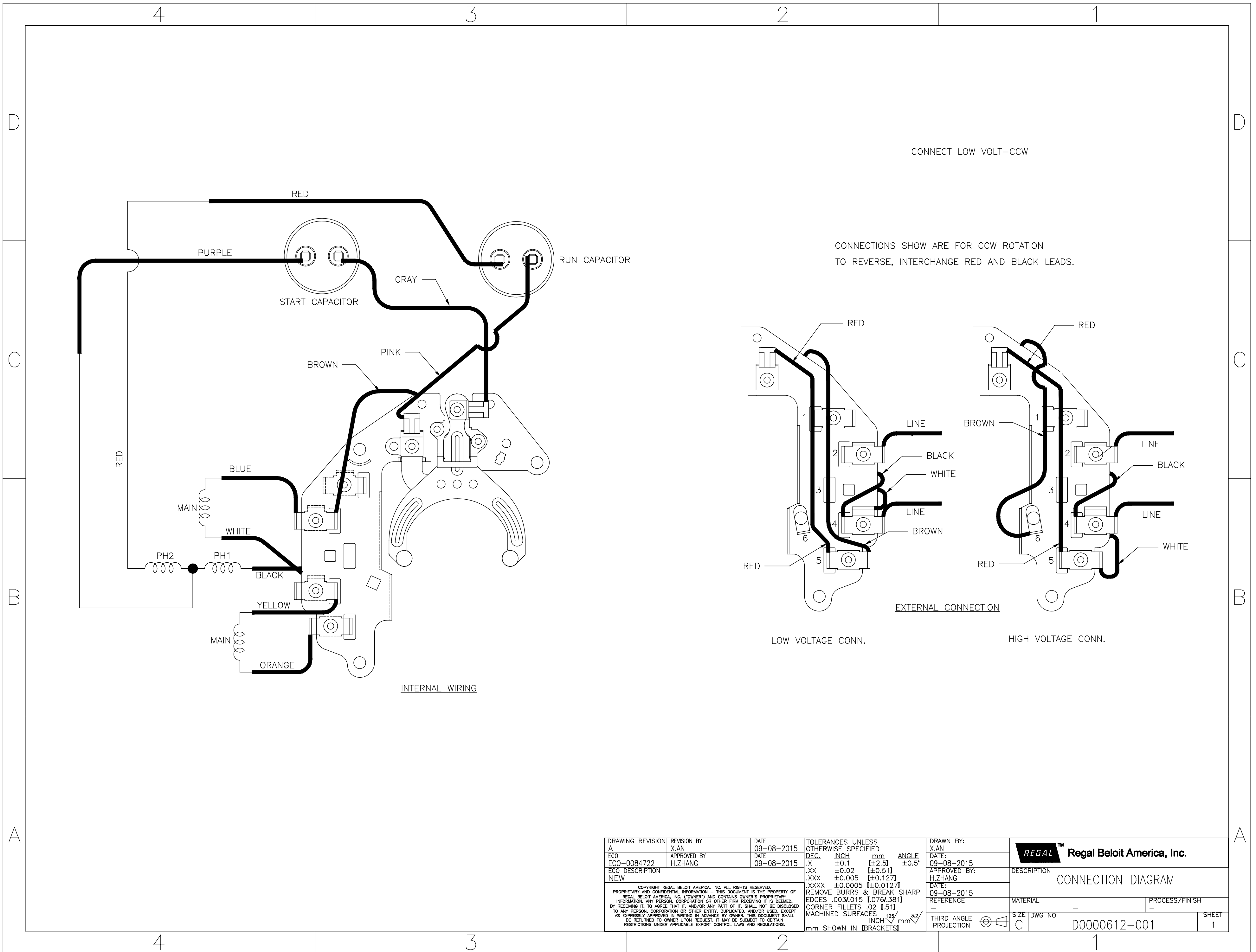
Electrical Type	Capacitor Start Capacitor Run	Starting Method	Across The Line
Poles	2	Rotation	Selective Counterclockwise
Resistance Main	.8 Ohms	Mounting	Rigid Base
Motor Orientation	Horizontal	Drive End Bearing	Ball
Opp Drive End Bearing	Ball	Frame Material	Rolled Steel
Shaft Type	T	Overall Length	12.93 in
Frame Length	8.25 in	Shaft Diameter	0.625 in
Shaft Extension	1.88 in	Assembly/Box Mounting	F1 OUT ODE BRKT RADIAL
Connection Drawing	D0000612-001	Outline Drawing	056B34D11011-S01

NOTE:
ALL DIMENSIONS SHOWN IN PARENTHESIS ARE REFERENCE DIMENSIONS.

● = CRITICAL DIMENSION



DRAWING REVISION C	REVISION BY S JIMENEZ	DATE 4-3-2024	TOLERANCES UNLESS OTHERWISE SPECIFIED DEC. INCH [±2.5] ANGLE .X ±0.1 [±2.5] ±0.5° .XX ±0.02 [±0.51] .XXX ±0.005 [±0.127] XXXX ±0.0005 [±0.0127]	DRAWN BY: H.ZHANG	REGAL™ Regal Beloit America, Inc.
ECO ECR-0232868	APPROVED BY S JIMENEZ	DATE 4-3-2024	REMOVE BURRS & BREAK SHARP EDGES .003/.015 [0.076/.381] CORNER FILLETS .02 [0.51] MACHINED SURFACES .125/32 INCH/mm	DATE: 11-19-2014	
ECO DESCRIPTION SEE ECR	COPYRIGHT REGAL BELOIT AMERICA, INC. ALL RIGHTS RESERVED. PROPRIETARY AND CONFIDENTIAL INFORMATION - THIS DOCUMENT IS THE PROPERTY OF REGAL BELOIT AMERICA, INC. (OWNER) AND COMPANY OWNER'S PROPRIETARY INFORMATION. ANY PERSON, CORPORATION OR OTHER FIRM RECEIVING IT IS DEMAND, BY RECEIVING IT, TO AGREE THAT IT, AND/OR ANY PART OF IT, SHALL NOT BE DISCLOSED TO ANY PERSON, CORPORATION OR OTHER ENTITY, DUPLICATED, AND/OR USED, EXCEPT AS EXPRESSLY APPROVED IN WRITING IN ADVANCE BY OWNER. THIS DOCUMENT SHALL BE RETURNED TO OWNER UPON REQUEST. IT MAY BE SUBJECT TO CERTAIN RESTRICTIONS UNDER APPLICABLE EXPORT CONTROL LAWS AND REGULATIONS.		APPROVED BY: J.ZHAN	DATE: 11-19-2014	DESCRIPTION MODEL-CFHP-56FR
			THIRD ANGLE PROJECTION	REFERENCE	MATERIAL
			SIZE DWG NO C 056B34D11011	PROCESS/FINISH	SHEET 1



DRAWING REVISION A	REVISION BY X.AN	DATE 09-08-2015	TOLERANCES UNLESS OTHERWISE SPECIFIED	DRAWN BY: X.AN	Regal Beloit America, Inc.	
ECO ECO-0084722	APPROVED BY H.ZHANG	DATE 09-08-2015	DEC. INCH mm ANGLE .XX ±0.1 [±2.5] ±0.5° .XXX ±0.02 [±0.51] .XXX ±0.005 [±0.127] .XXXX ±0.0005 [±0.0127]	DATE: 09-08-2015		
ECO DESCRIPTION NEW	<small>COPYRIGHT REGAL BELOIT AMERICA, INC. ALL RIGHTS RESERVED. PROPRIETARY AND CONFIDENTIAL INFORMATION - THIS DOCUMENT IS THE PROPERTY OF REGAL BELOIT AMERICA, INC. (OWNER) AND CONTAINS OWNER'S PROPRIETARY INFORMATION. ANY PERSON, CORPORATION OR OTHER FIRM RECEIVING IT IS DEEMED, BY RECEIVING IT, TO AGREE THAT IT, AND/OR ANY PART OF IT, SHALL NOT BE DISCLOSED TO ANY PERSON, CORPORATION OR OTHER ENTITY, DUPLICATED, AND/OR USED, EXCEPT AS EXPRESSLY APPROVED IN WRITING IN ADVANCE BY OWNER. THIS DOCUMENT SHALL BE RETURNED TO OWNER UPON REQUEST. IT MAY BE SUBJECT TO CERTAIN RESTRICTIONS UNDER APPLICABLE EXPORT CONTROL LAWS AND REGULATIONS.</small>		REMOVE BURRS & BREAK SHARP EDGES .003/.015 [0.076/.381] CORNER FILLETS .02 [.51] MACHINED SURFACES $\frac{125}{\text{INCH}} \sqrt{\frac{3.2}{\text{mm}}}$ mm SHOWN IN [BRACKETS]	APPROVED BY: H.ZHANG	DESCRIPTION CONNECTION DIAGRAM	
				REFERENCE -	MATERIAL -	PROCESS/FINISH -
				THIRD ANGLE PROJECTION	SIZE DWG NO C D0000612-001	SHEET 1



CERTIFICATION DATA SHEET

CUSTOMER:
ORDER #:
CONN. DIAGRAM: D0000612-001
OUTLINE: 056B34D11011
WINDING #: BE48236 3

CUSTOMER PO#:
MODEL #: 56B34D11011 A
CUSTOMER PART #:
MOUNTING: F1 OUT ODE BRKT RADIAL

TYPICAL MOTOR PERFORMANCE DATA

HP	kW	SYNC. RPM	F.L. RPM	FRAME	ENCLOSURE	KVA CODE	DESIGN
2	1.49	3600	3450	56	DP	H	NO DESIGN CODE

PH	Hz	VOLTS	AMPS	START TYPE	DUTY	INSL	S.F.	AMB°C
1	60	115/230	14.2/7.1	ACROSS THE LINE	CONTINUOUS	B3	1.15	40

FULL LOAD EFF:	78.5	3/4 LOAD EFF:	79.7	1/2 LOAD EFF:	77.4	GTD. EFF	ELEC. TYPE
FULL LOAD PF:	87.6	3/4 LOAD PF:	97.7	1/2 LOAD PF:	96.9	72	CAP START CAP RUN

F.L. TORQUE	LOCKED ROTOR AMPS	L.R. TORQUE	B.D. TORQUE	F.L. RISE°C
3.04 LB-FT	85.6 / 42.8	3.96 LB-FT 130 %	5.01 LB-FT 165 %	50

SOUND PRESSURE @ 3 FT.	SOUND POWER	ROTOR WK^2	MAX. WK^2	SAFE STALL TIME	STARTS / HOUR	APPROX. MOTOR WGT
0 dBA	10 dBA	0 LB-FT^2	0 LB-FT^2	0 SEC.	0	0 LBS.

***** SUPPLEMENTAL INFORMATION *****

DE BRACKET TYPE	ODE BRACKET TYPE	MOUNT TYPE	ORIENTATION	SEVERE DUTY	HAZARDOUS LOCATION	DRIP COVER	SCREENS	PAINT
STANDARD	STANDARD	RIGID	HORIZONTAL	FALSE	NONE	FALSE	NONE	GRAY (POWDER)

BEARINGS		GREASE	SHAFT TYPE	SPECIAL DE	SPECIAL ODE	SHAFT MATERIAL	FRAME MATERIAL
DE	ODE						
BALL	BALL	POLYREX EM	T	NONE	NONE	1144 STRESSPROOF (C-223)	ROLLED STEEL
6203	6203						

THERMO-PROTECTORS				THERMISTORS	CONTROL	SPACE HEATERS
THERMOSTATS	PROTECTORS	WDG RTDs	BRG RTDs			
NONE	MANUAL	NONE	NONE	NONE	FALSE	NONE VOLTS

*
N
O
T
E
S
*

INVERTER TORQUE: NONE
INV. HP SPEED RANGE: NONE
ENCODER: NONE
NONE NONE
NONE NONE PPR
BRAKE: NONE NONE
NONE P/N NONE
NONE NONE
NONE FT-LB NONE V NONE Hz

REV 1 - CHANGED LOGO FROM MARATHON TO LEESON - 3/25/2025

PREPARED BY: Fareeda Dudekula
DATE: 03/07/2019 07:23:48 AM
 FORM 3531 REV.3 02/07/99
 ** Subject to change without notice.

EC Declaration of Conformity

The undersigned representing
the manufacturer:

Regal Beloit America
1946 West Cook Road
Fort Wayne, IN 46818

and the authorized representative
established within the Community:

Regal Beloit Italy
Via Modena, 18
24040 Ciserano(BG) - Italy

are committed to providing customers with products that comply with applicable regulations and international protocols to which they are subject, including the requirements of the European Parliament Directive on the Harmonization of the laws relating to electrical equipment designed for use within certain voltage limits (2014/35/EU).

Regal Beloit America declares that the following product(s), to which this declaration relates, are in conformity with the relevant sections of the EC standards listed below.

This statement supersedes any statements previously issued pertaining to the product(s) listed below and is subject to change without notice.

Model No : 056B34D11011

(Model No. may contain prefix and/or suffix characters)

Catalog No : C187A

Rework No : N/A

Directives :

Low Voltage Directive 2014/35/EU

Harmonized Standards Used :

EN 60034-1: 2010 (IEC 60034-1: 2010)

EN 60034-5: 2001/A1:2007 (IEC 60034-5: 2000/A1:2006)

Authorized Representative:



Zach Stauffer
Vice President, Engineering

Authorized Representative in the Community:



Stefano Casiraghi
Technology Director, Engineering

Created on 07/08/2025

CE 25