

PRODUCT INFORMATION PACKET



Model No: 056B34D11016

Catalog No: G238A

General Purpose Motor, 0.75 HP, 1 Ph, 60 Hz, 115/230 V, 3600 RPM, 56C Frame, DP



Regal and LEESON are trademarks of Regal Rexnord Corporation or one of its affiliated companies.
©2025 Regal Rexnord Corporation, All Rights Reserved. MC017097E



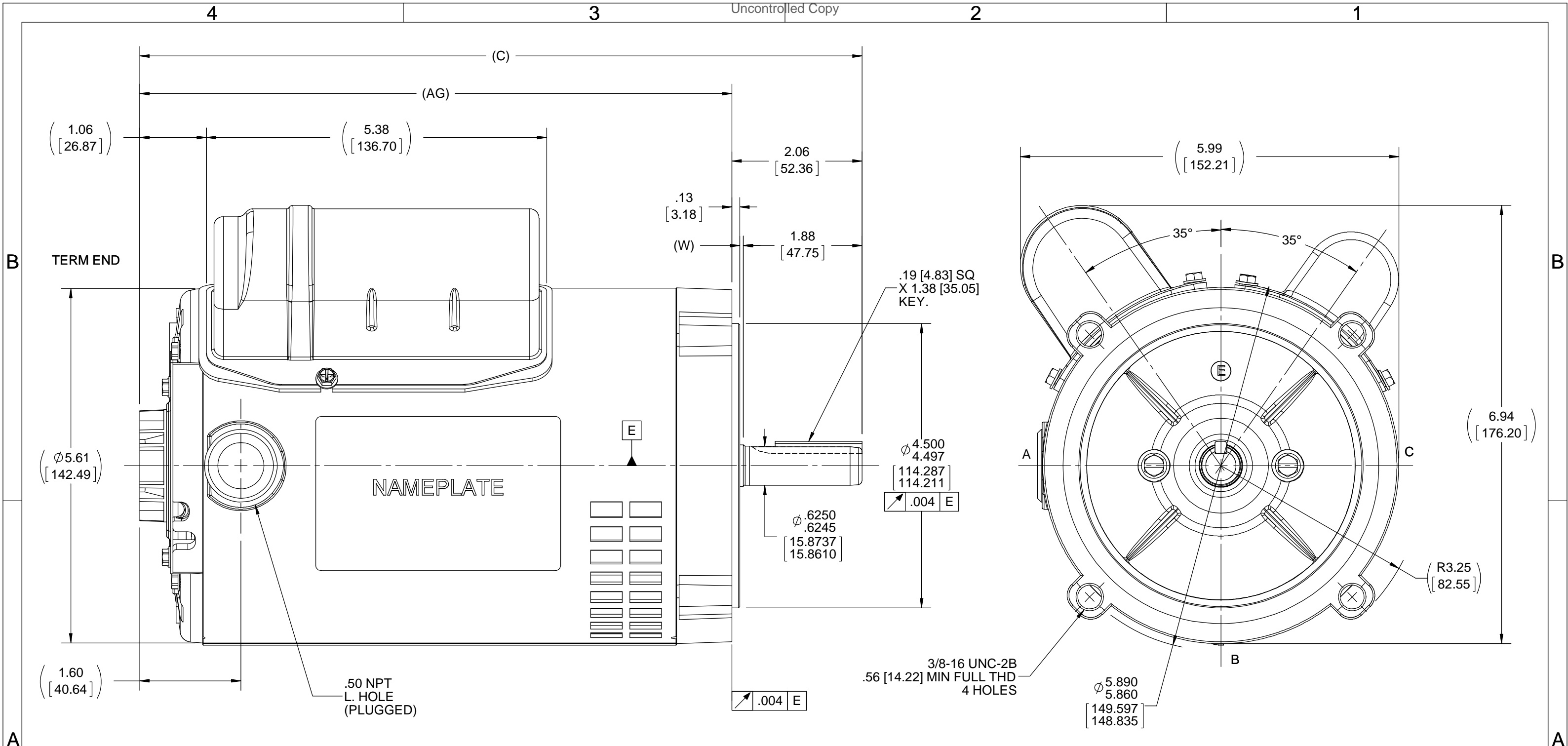


Nameplate Specifications

Phase	1	Output HP	0.75 Hp
Output KW	0.56 kW	Voltage	115/230 V
Speed	3450 rpm	Service Factor	1.25
Frame	56C	Enclosure	Drip Proof
Thermal Protection	No Protection	Efficiency	76.2 %
Ambient Temperature	40 °C	Frequency	60 Hz
Current	7.2/3.6 A	Power Factor	89.2
Duty	Continuous	Insulation Class	B
Design Code	N	KVA Code	K
Drive End Bearing Size	6203	Opp Drive End Bearing Size	6203
UL	Recognized	CSA	Y
CE	Y	IP Code	22
Number of Speeds	1		

Technical Specifications

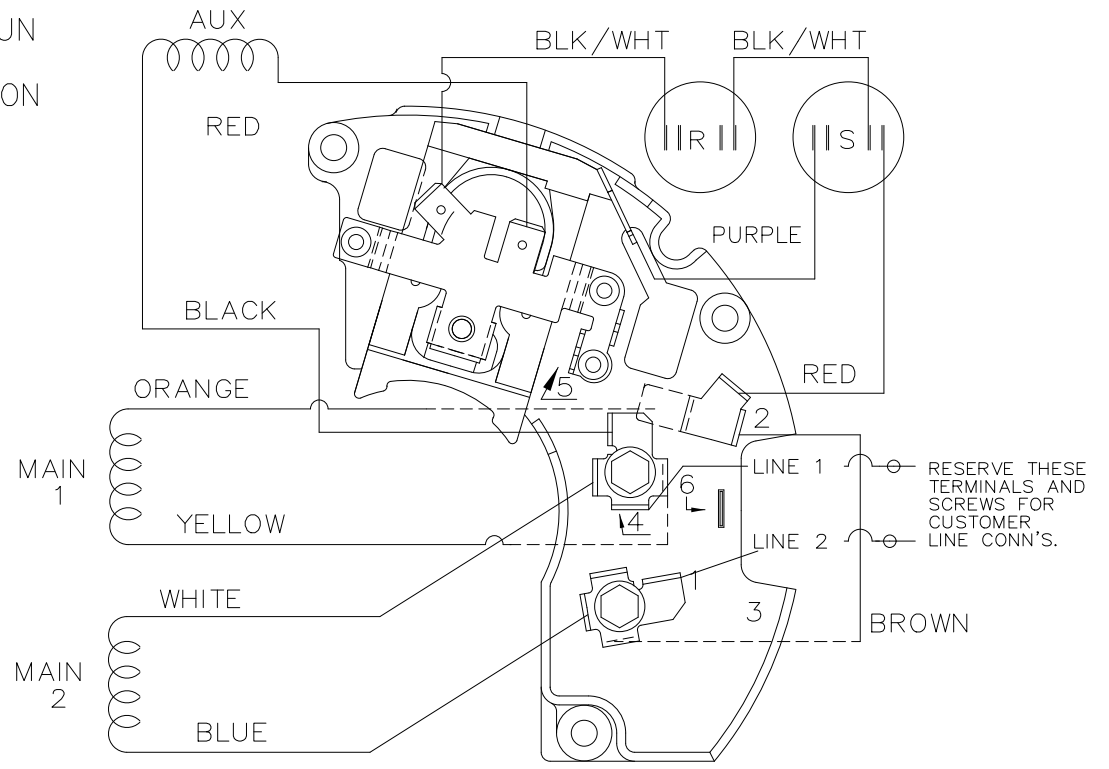
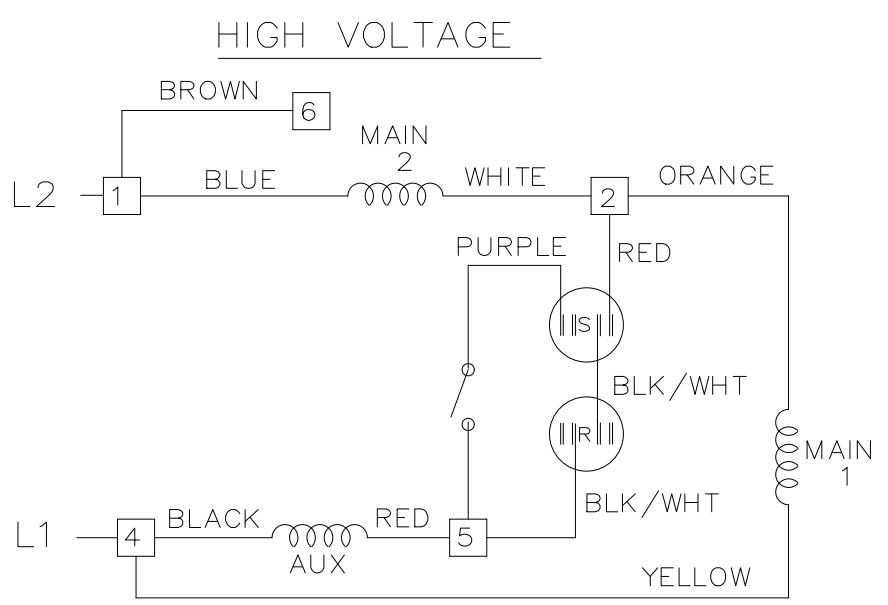
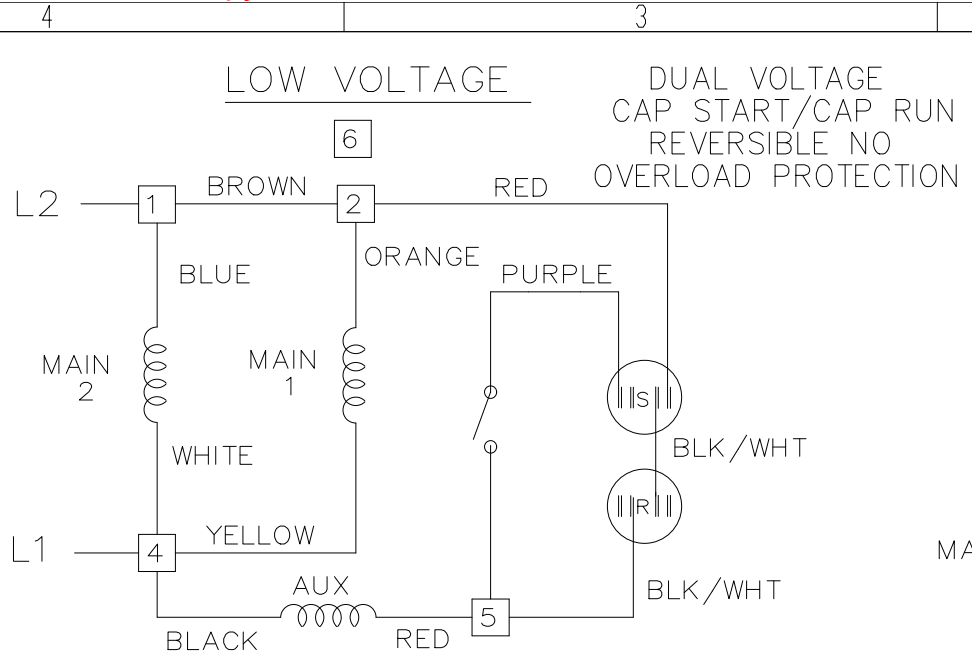
Electrical Type	Capacitor Start Capacitor Run	Starting Method	Across The Line
Poles	2	Rotation	Selective Counterclockwise
Resistance Main	0 Ohms	Mounting	Round
Motor Orientation	Horizontal	Drive End Bearing	Ball
Opp Drive End Bearing	Ball	Frame Material	Rolled Steel
Shaft Type	NEMA 56	Overall Length	11.44 in
Frame Length	7.50 in	Shaft Diameter	0.625 in
Shaft Extension	2.06 in	Assembly/Box Mounting	F1 ONLY
Outline Drawing	A-SS404112-750	Connection Drawing	A-EE9002J-REGAL



DASH	"C"	"AG"
625	10.18 [258.57]	8.12 [206.25]
650	10.43 [264.92]	8.37 [212.59]
675	10.68 [271.27]	8.62 [218.95]
700	10.93 [277.62]	8.87 [225.29]
725	11.18 [283.97]	9.12 [231.65]
750	11.43 [290.32]	9.37 [237.99]
775	11.68 [283.97]	9.62 [244.35]
800	11.93 [290.32]	9.87 [250.69]

NOTE:-
 1) NAMEPLATE LOCATION AT "A" READ FROM TERM.END.
 2) "W"-CLEARANCE ALLOWED FOR ALL VARIANCES IN MANUFACTURING & ASSEMBLY.

DRAWING REVISION D	REVISION BY A SUPPANAVAR	DATE 11/12/2018	TOLERANCES UNLESS OTHERWISE SPECIFIED: DEC. INCH mm ANGLE .X ±0.1 [±2.5] ±7° 30" .XX ±0.03 [±0.76] .XXX ±0.005 [±0.127] .XXXX ±0.0005 [±0.0127] REMOVE BURRS & BREAK SHARP EDGES: .003/.015 [.076/.381] X 45° CORNER FILLETS: R.02 [.51] MACHINED SURFACES: 200 INCH/mm 5.1 mm SHOWN IN [BRACKETS]	DRAWN BY JAH	Regal Beloit America, Inc.
ECO ECO-0157672	APPROVED BY J DAS	DATE 12/03/2018		DATE 11/17/2014	
ECO DESCRIPTION OUTLINE CONVERSION PROJECT <small>COPYRIGHT REGAL BELOIT AMERICA, INC. ALL RIGHTS RESERVED. PROPRIETARY AND CONFIDENTIAL INFORMATION - THIS DOCUMENT IS THE PROPERTY OF REGAL BELOIT AMERICA, INC. ("OWNER") AND CONTAINS OWNER'S PROPRIETARY INFORMATION. ANY PERSON, CORPORATION OR OTHER FIRM RECEIVING IT IS DEEMED, BY RECEIVING IT, TO AGREE THAT IT, AND/OR ANY PART OF IT, SHALL NOT BE DISCLOSED TO ANY PERSON, CORPORATION OR OTHER ENTITY, DUPLICATED, AND/OR USED, EXCEPT AS EXPRESSLY APPROVED IN WRITING IN ADVANCE BY OWNER. THIS DOCUMENT SHALL BE RETURNED TO OWNER UPON REQUEST. IT MAY BE SUBJECT TO CERTAIN RESTRICTIONS UNDER APPLICABLE EXPORT CONTROL LAWS AND REGULATIONS.</small>			REFERENCE SS404112	DESCRIPTION OUTLINE	PROCESS/FINISH
			THIRD ANGLE PROJECTION	MATERIAL	SIZE B
				DRAWING NUMBER SS404112	SHEET 1 OF 1



VIEWING TERM END

LOW VOLTAGE CCW ROTATION SHOWN.

FOR HIGH VOLTAGE
CONNECT BROWN TERM 2 TO TERM 6.
CONNECT WHITE TERM 4 TO TERM 2.

TO REVERSE ROTATION EITHER
VOLTAGE INTERCHANGE RED
LEAD WITH BLACK LEAD.

DASH LINES INDICATE LEADS CONNECTED
TO MOTOR SIDE OF SWITCH.

DRAWING REVISION 3	REVISION BY KVDG	REV DATE/ DATE 05/06/2025
REQUEST NUMBER ECR-0242555	APPROVED BY DS	DATE 05/06/2025

REQUEST NUMBER DESCRIPTION
UPDATED THE DRAWING TO RRX TEMPLATE.

COPYRIGHT (PER REVISION DATE) REGAL BELOIT AMERICA, INC. ALL RIGHTS RESERVED. PROPRIETARY AND CONFIDENTIAL INFORMATION - THIS DOCUMENT IS THE PROPERTY OF REGAL BELOIT AMERICA, INC. (OWNER) AND CONTAINS OWNER'S PROPRIETARY INFORMATION. ANY PERSON, CORPORATION OR OTHER FIRM RECEIVING IT IS DEEMED, BY RECEIVING IT, TO AGREE THAT IT, AND/OR ANY PART OF IT, SHALL NOT BE DISCLOSED TO ANY PERSON, CORPORATION OR OTHER ENTITY, DUPLICATED, AND/OR USED, EXCEPT AS EXPRESSLY APPROVED IN WRITING IN ADVANCE BY OWNER. THIS DOCUMENT SHALL BE RETURNED TO OWNER UPON REQUEST. IT MAY BE SUBJECT TO CERTAIN RESTRICTIONS UNDER APPLICABLE EXPORT CONTROL LAWS AND REGULATIONS.

TOLERANCES (EXCEPT AS NOTED):			
DEC.	.INCH	mm	ANGLE
.X	±0.1	[±3]	±0.5°
.XX	±0.01	[±0.3]	
.XXX	±0.005	[±0.13]	
.XXXX	±0.0005	[±0.013]	
REMOVE BURRS & BREAK SHARP			
EDGES: .003/.015 [.08/.38] X 45			
CORNER FILLETS: R.02 [-.5]			
MACHINED SURFACES: 125 / 3.2			
INCH / mm			
mm DIMENSIONS IN [BRACKETS]			
ARE FOR REFERENCE ONLY			

DRAWN BY SVL
DATE 06/17/2013
APPROVED BY
DATE
REFERENCE EE9002J
THIRD ANGLE PROJECTION

Regal REXNORD		Regal Beloit America, Inc.	
DESCRIPTION CONNECTION DIAGRAM 48 FR. - DUAL VOLTAGE REVERSIBLE			
MAT'L	PROCESS/FINISH PRI32489	SIZE B	DRAWING NUMBER EE9002J
SHEET 1 OF 1			



REGAL REXNORD CORPORATION
TYPICAL PERFORMANCE CURVE for AC MOTOR

Customer

Curve at

460 Volts
60 HZ
0.75 HP

HP 0.75

PHASE 1

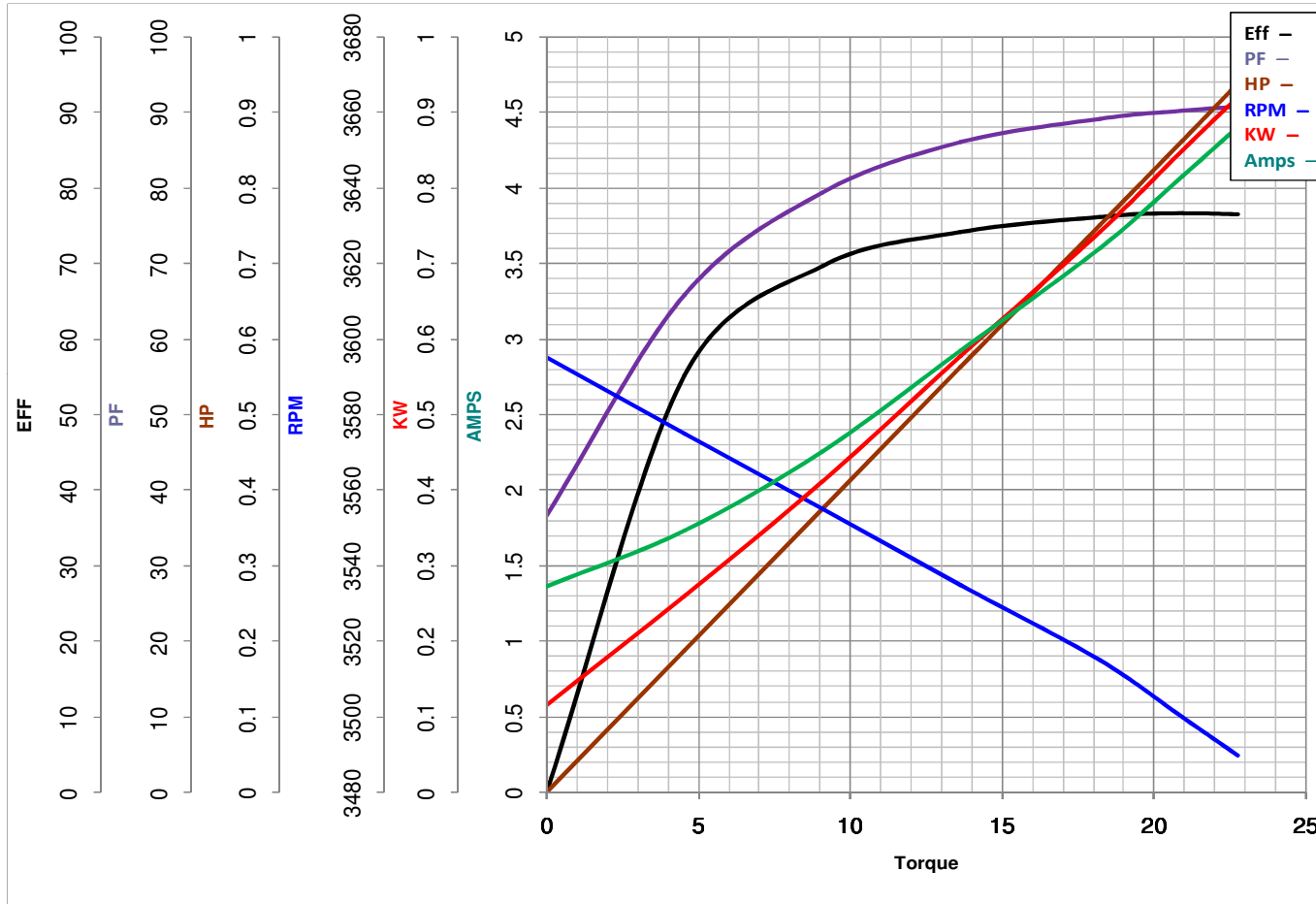
Model No 56B34D11016

VOLTS 115/230

Catalog No G238A

HZ 60

RPM 3450



Torque in Oz.Ft

FL TORQUE 18.2 Oz.Ft
BD TORQUE 51.0 Oz.Ft
LR TORQUE 54.12 Oz.Ft

FL AMPS 7.2/3.6
PU TORQUE 53.1 Oz.Ft
LR AMPS 28.77

WINDING BE48278-3

Date 1/17/2019

EC Declaration of Conformity

The undersigned representing
the manufacturer:

Regal Beloit America
1946 West Cook Road
Fort Wayne, IN 46818

and the authorized representative
established within the Community:

Regal Beloit Italy
Via Modena, 18
24040 Ciserano(BG) - Italy

are committed to providing customers with products that comply with applicable regulations and international protocols to which they are subject, including the requirements of the European Parliament Directive on the Harmonization of the laws relating to electrical equipment designed for use within certain voltage limits (2014/35/EU).

Regal Beloit America declares that the following product(s), to which this declaration relates, are in conformity with the relevant sections of the EC standards listed below.

This statement supersedes any statements previously issued pertaining to the product(s) listed below and is subject to change without notice.

Model No : 056B34D11016

(Model No. may contain prefix and/or suffix characters)

Catalog No : G238A

Rework No : N/A

Directives :

Low Voltage Directive 2014/35/EU

Harmonized Standards Used :

EN 60034-1: 2010 (IEC 60034-1: 2010)

EN 60034-5: 2001/A1:2007 (IEC 60034-5: 2000/A1:2006)

Authorized Representative:



Zach Stauffer
Vice President, Engineering

Authorized Representative in the Community:



Stefano Casiraghi
Technology Director, Engineering

Created on 07/08/2025

CE 25