

PRODUCT INFORMATION PACKET



Model No: 056B34D11018

Catalog No: G216A

General Purpose Motor, 0.33 HP, 1 Ph, 60 Hz, 115/230 V, 3600 RPM, 56C Frame, DP



Regal and LEESON are trademarks of Regal Rexnord Corporation or one of its affiliated companies.

©2025 Regal Rexnord Corporation, All Rights Reserved. MC017097E



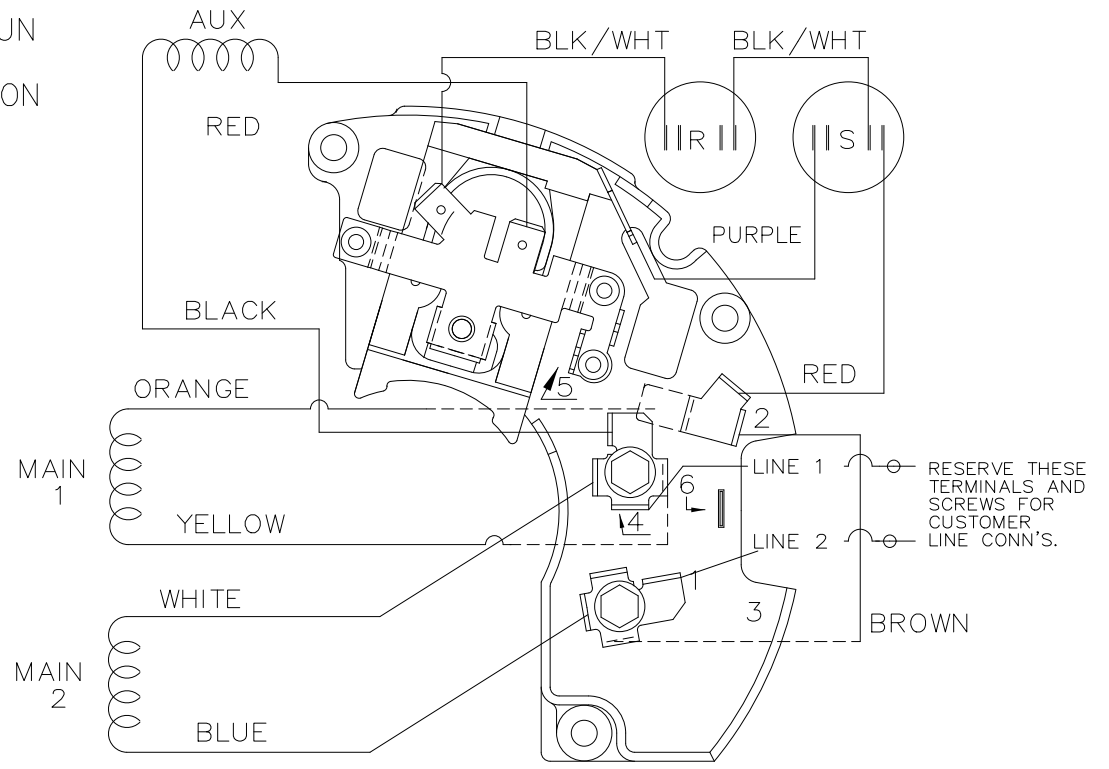
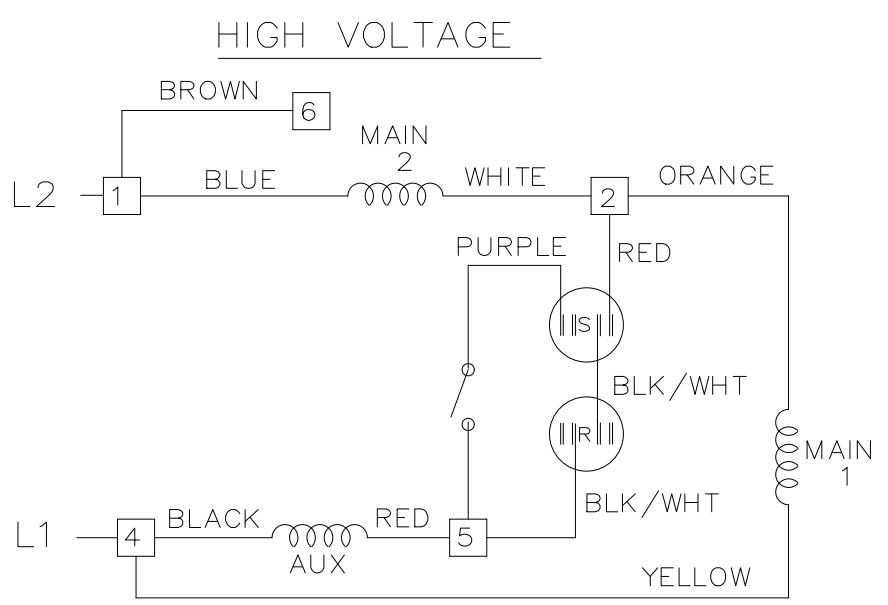
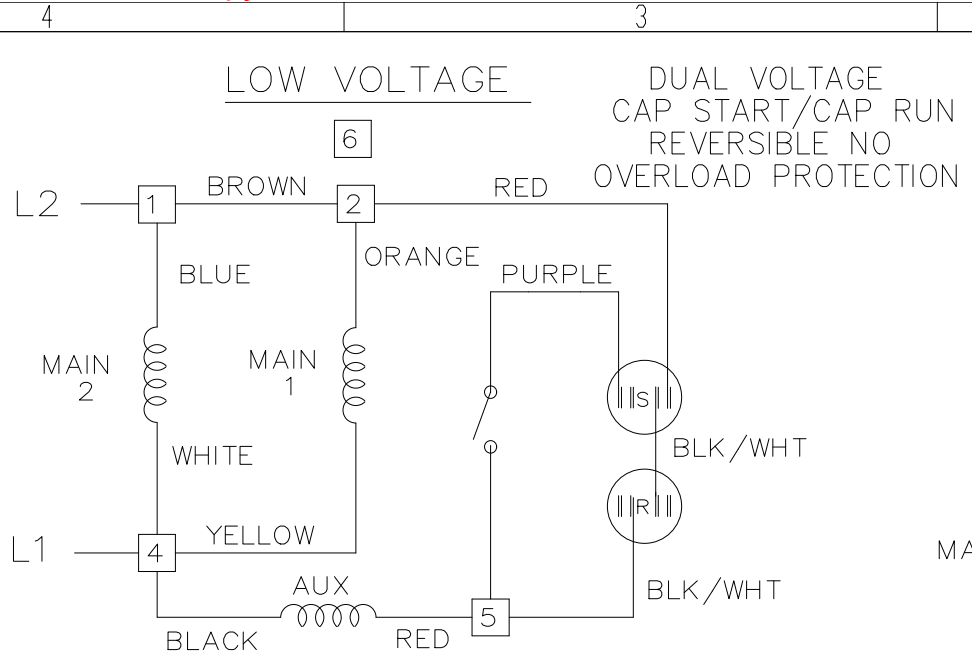


Nameplate Specifications

Phase	1	Output HP	0.33 Hp
Output KW	0.25 kW	Voltage	115/230 V
Speed	3450 rpm	Service Factor	1.35
Frame	56C	Enclosure	Drip Proof
Thermal Protection	No Protection	Efficiency	70.5 %
Ambient Temperature	40 °C	Frequency	60 Hz
Current	3.0/1.5 A	Power Factor	98.4
Duty	Continuous	Insulation Class	B
Design Code	N	KVA Code	L
Drive End Bearing Size	6203	Opp Drive End Bearing Size	6203
UL	Recognized	CSA	Y
CE	Y	IP Code	22
Number of Speeds	1		

Technical Specifications

Electrical Type	Capacitor Start Capacitor Run	Starting Method	Across The Line
Poles	2	Rotation	Selective Counterclockwise
Resistance Main	0 Ohms	Mounting	Round
Motor Orientation	Horizontal	Drive End Bearing	Ball
Opp Drive End Bearing	Ball	Frame Material	Rolled Steel
Shaft Type	NEMA 56	Overall Length	10.44 in
Frame Length	6.50 in	Shaft Diameter	0.625 in
Shaft Extension	2.06 in	Assembly/Box Mounting	F1 ONLY
Connection Drawing	A-EE9002J-REGAL	Outline Drawing	A-SS404345-650



VIEWING TERM END

LOW VOLTAGE CCW ROTATION SHOWN.

FOR HIGH VOLTAGE
CONNECT BROWN TERM 2 TO TERM 6.
CONNECT WHITE TERM 4 TO TERM 2.

TO REVERSE ROTATION EITHER
VOLTAGE INTERCHANGE RED
LEAD WITH BLACK LEAD.

DASH LINES INDICATE LEADS CONNECTED
TO MOTOR SIDE OF SWITCH.

DRAWING REVISION 3	REVISION BY KVDG	REV DATE/ DATE 05/06/2025
REQUEST NUMBER ECR-0242555	APPROVED BY DS	DATE 05/06/2025

REQUEST NUMBER DESCRIPTION
UPDATED THE DRAWING TO RRX TEMPLATE.

COPYRIGHT (PER REVISION DATE) REGAL BELOIT AMERICA, INC. ALL RIGHTS RESERVED. PROPRIETARY AND CONFIDENTIAL INFORMATION - THIS DOCUMENT IS THE PROPERTY OF REGAL BELOIT AMERICA, INC. (OWNER) AND CONTAINS OWNER'S PROPRIETARY INFORMATION. ANY PERSON, CORPORATION OR OTHER FIRM RECEIVING IT IS DEEMED, BY RECEIVING IT, TO AGREE THAT IT, AND/OR ANY PART OF IT, SHALL NOT BE DISCLOSED TO ANY PERSON, CORPORATION OR OTHER ENTITY, DUPLICATED, AND/OR USED, EXCEPT AS EXPRESSLY APPROVED IN WRITING IN ADVANCE BY OWNER. THIS DOCUMENT SHALL BE RETURNED TO OWNER UPON REQUEST. IT MAY BE SUBJECT TO CERTAIN RESTRICTIONS UNDER APPLICABLE EXPORT CONTROL LAWS AND REGULATIONS.

TOLERANCES (EXCEPT AS NOTED):			
DEC.	.INCH	mm	ANGLE
.X	±0.1	[±3]	±0.5°
.XX	±0.01	[±0.3]	
.XXX	±0.005	[±0.13]	
.XXXX	±0.0005	[±0.013]	
REMOVE BURRS & BREAK SHARP			
EDGES: .003/.015 [.08/.38] X 45			
CORNER FILLETS: R.02 [-.5]			
MACHINED SURFACES: 125 / 3.2			
INCH / mm			
mm DIMENSIONS IN [BRACKETS]			
ARE FOR REFERENCE ONLY			

DRAWN BY SVL
DATE 06/17/2013
APPROVED BY
DATE
REFERENCE EE9002J
THIRD ANGLE PROJECTION

Regal REXNORD		Regal Beloit America, Inc.	
DESCRIPTION CONNECTION DIAGRAM			
48 FR. - DUAL VOLTAGE REVERSIBLE			
REFERENCE EE9002J	MAT'L	PROCESS/FINISH PRI32489	SHEET 1 OF 1
THIRD ANGLE PROJECTION	SIZE B	DRAWING NUMBER EE9002J	



REGAL REXNORD CORPORATION
TYPICAL PERFORMANCE CURVE for AC MOTOR

Customer

Curve at

460

Volts

HP 0.33

PHASE 1

60

HZ

VOLTS 115/230

Model No 56B34D11018

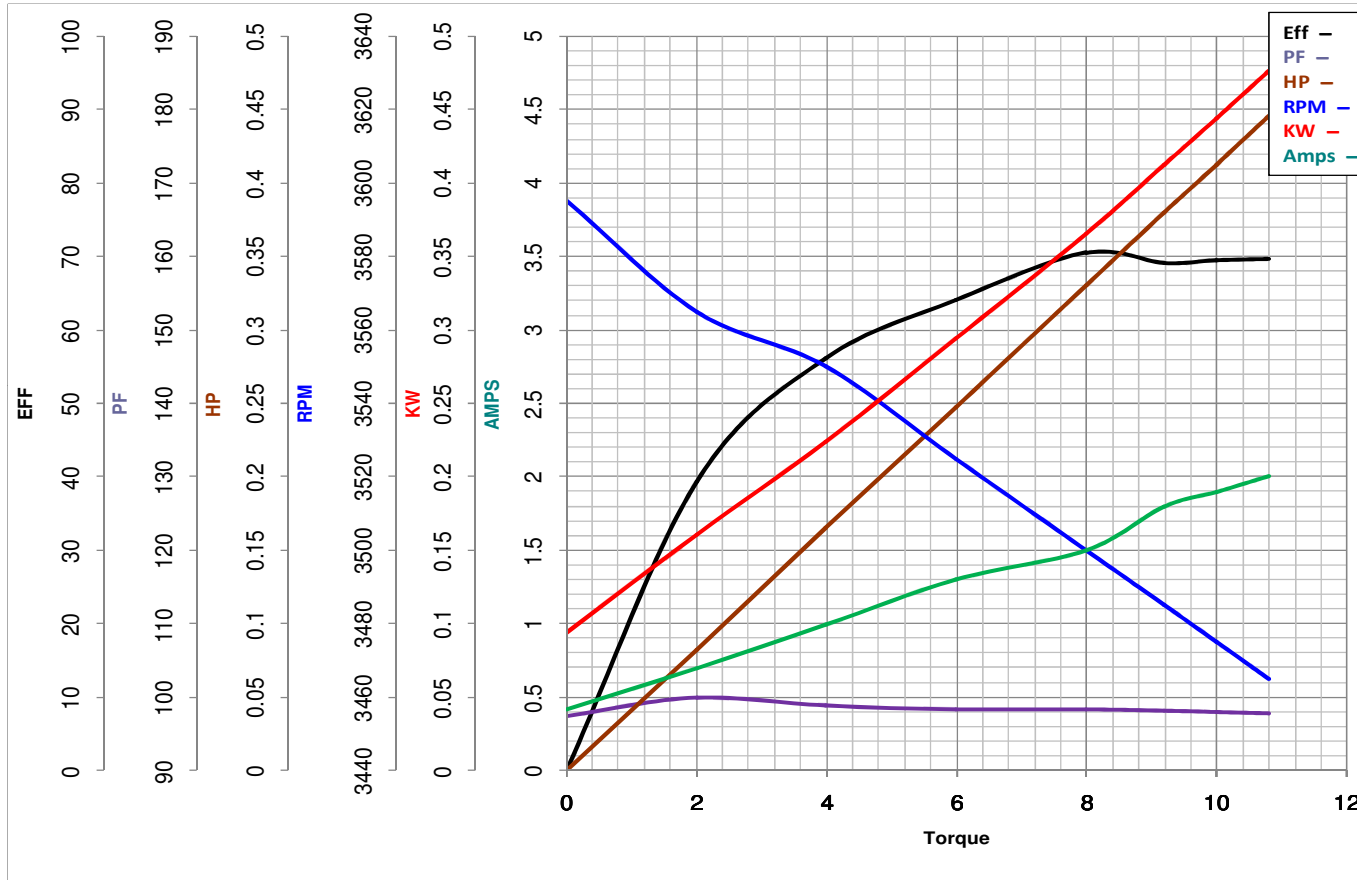
0.33

HP

Catalog No G216A

HZ 60

RPM 3450



Torque in Oz.Ft

FL TORQUE 8 Oz.Ft
BD TORQUE 19.0 Oz.Ft
LR TORQUE 23.2 Oz.Ft

FL AMPS 3/1.5
PU TORQUE 23.2 Oz.Ft
LR AMPS 13

WINDING BE48280-3

Date 1/17/2019

EC Declaration of Conformity

The undersigned representing
the manufacturer:

Regal Beloit America
1946 West Cook Road
Fort Wayne, IN 46818

and the authorized representative
established within the Community:

Regal Beloit Italy
Via Modena, 18
24040 Ciserano(BG) - Italy

are committed to providing customers with products that comply with applicable regulations and international protocols to which they are subject, including the requirements of the European Parliament Directive on the Harmonization of the laws relating to electrical equipment designed for use within certain voltage limits (2014/35/EU).

Regal Beloit America declares that the following product(s), to which this declaration relates, are in conformity with the relevant sections of the EC standards listed below.

This statement supersedes any statements previously issued pertaining to the product(s) listed below and is subject to change without notice.

Model No : 056B34D11018

(Model No. may contain prefix and/or suffix characters)

Catalog No : G216A

Rework No : N/A

Directives :

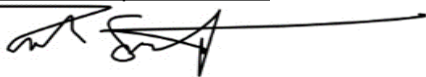
Low Voltage Directive 2014/35/EU

Harmonized Standards Used :

EN 60034-1: 2010 (IEC 60034-1: 2010)

EN 60034-5: 2001/A1:2007 (IEC 60034-5: 2000/A1:2006)

Authorized Representative:



Zach Stauffer
Vice President, Engineering

Authorized Representative in the Community:



Stefano Casiraghi
Technology Director, Engineering

Created on 07/08/2025

CE 25