

PRODUCT INFORMATION PACKET



Model No: 056B34D15538

Catalog No: C1270A

General Purpose Motor, 3 HP, 1 Ph, 60 Hz, 230 V, 3600 RPM, 56C Frame, DP

Operational at 208-230 V @60HZ



Regal and LEESON are trademarks of Regal Rexnord Corporation or one of its affiliated companies.

©2025 Regal Rexnord Corporation, All Rights Reserved. MC017097E



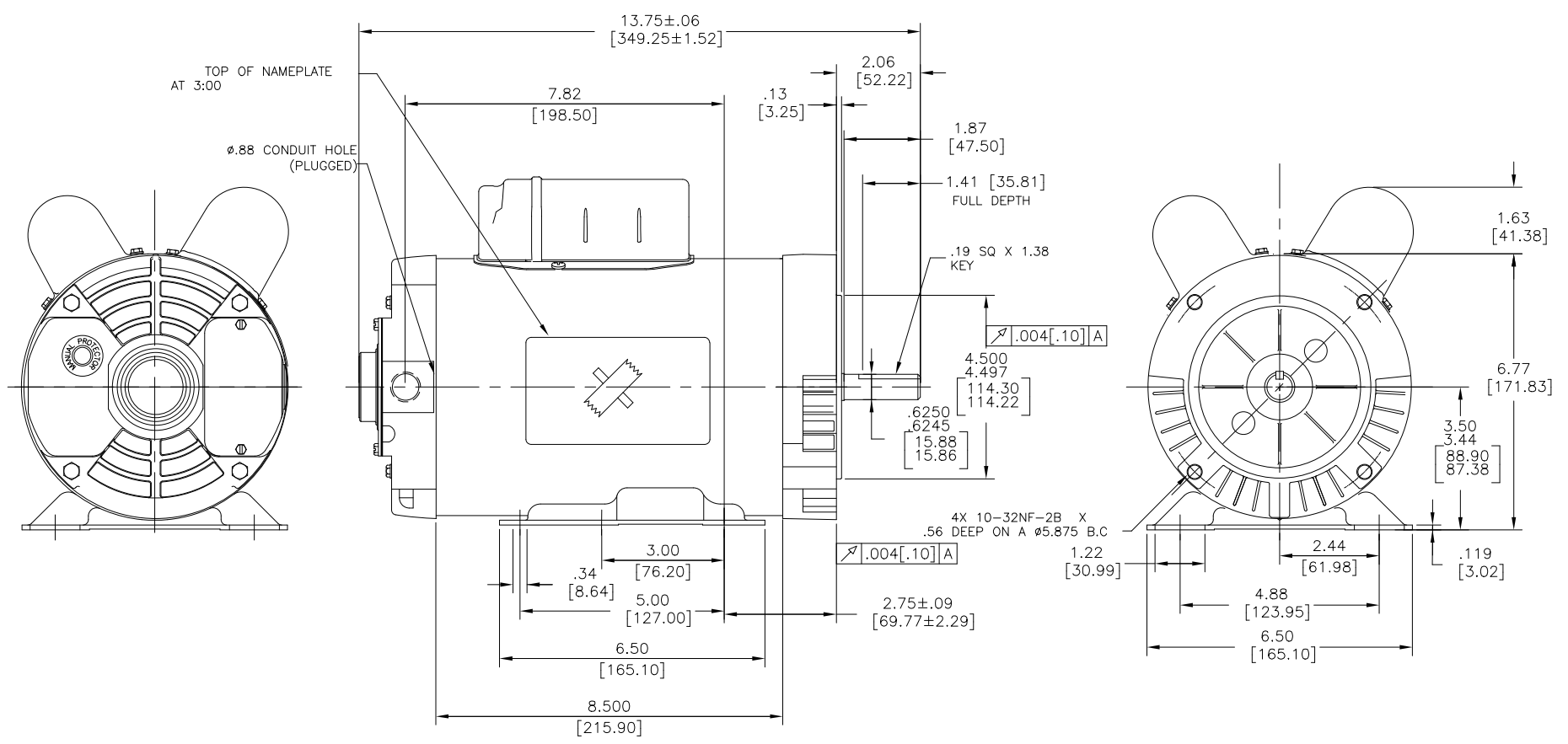


Nameplate Specifications

Phase	1	Output HP	3 Hp
Output KW	2.2 kW	Voltage	230 V
Speed	3450 rpm	Service Factor	1.15
Frame	56C	Enclosure	Drip Proof
Thermal Protection	Manual	Efficiency	84.1 %
Ambient Temperature	40 °C	Frequency	60 Hz
Current	11.6 A	Power Factor	99
Duty	Continuous	Insulation Class	F
Design Code	L	KVA Code	F
Drive End Bearing Size	6203	Opp Drive End Bearing Size	6203
UL	Recognized	CSA	Y
CE	Y	IP Code	22
Number of Speeds	1		

Technical Specifications

Electrical Type	Capacitor Start Capacitor Run	Starting Method	Across The Line
Poles	2	Rotation	Selective Counterclockwise
Resistance Main	.72 Ohms	Mounting	Rigid Base
Motor Orientation	Horizontal	Drive End Bearing	Ball
Opp Drive End Bearing	Ball	Frame Material	Rolled Steel
Shaft Type	NEMA 56	Overall Length	13.75 in
Shaft Diameter	0.625 in	Shaft Extension	2.06 in
Assembly/Box Mounting	F1 ONLY		
Outline Drawing	056B34D15538	Connection Drawing	D0000868-001



DRAWING REVISION E0	REVISION BY D.SURYAWANSHI	DATE 01/13/2022	TOLERANCES UNLESS OTHERWISE SPECIFIED INCH mm ANGLE .X ±0.1 [±2.5] ±0.5° .XX ±0.02 [±0.51] .XXX ±0.005 [±0.127] XXXX ±0.0005 [±0.0127]	DRAWN BY: J.CORTEZ			
ECO ECR-0214894	APPROVED BY	DATE	REMOVE BURRS & BREAK SHARP EDGES .003/.015 [0.076/.381] CORNER FILLETS .02 [.51] MACHINED SURFACES 125 INCH/mm 3/2 mm SHOWN IN [BRACKETS]	DATE: 09-12-2017		DESCRIPTION MODEL-CFHP-56FR OUTLINE	
ECO DESCRIPTION SEE ECR				APPROVED BY: J.CORTEZ	MATERIAL	PROCESS/FINISH	
<small> COPYRIGHT REGAL BELOIT AMERICA, INC. ALL RIGHTS RESERVED. PROPRIETARY AND CONFIDENTIAL INFORMATION - THIS DOCUMENT IS THE PROPERTY OF REGAL BELOIT AMERICA, INC. (OWNER) AND COMPANY OWNER'S PROPRIETARY INFORMATION. ANY PERSON, CORPORATION OR OTHER ENTITY, DUPLICATING AND/OR REPRODUCING THIS DOCUMENT WITHOUT THE EXPRESS WRITTEN PERMISSION OF REGAL BELOIT AMERICA, INC. IS STRICTLY PROHIBITED. BY RECEIVING IT, TO AGREE THAT IT, AND/OR ANY PART OF IT, SHALL NOT BE DISCLOSED TO ANY PERSON, CORPORATION OR OTHER ENTITY, DUPLICATED, AND/OR REPRODUCED, EXCEPT AS EXPRESSLY APPROVED IN WRITING IN ADVANCE BY OWNER. THIS DOCUMENT SHALL BE RETURNED TO OWNER UPON REQUEST. IT MAY BE SUBJECT TO CERTAIN RESTRICTIONS UNDER APPLICABLE EXPORT CONTROL LAWS AND REGULATIONS. </small>				DATE: 09-12-2017			
				REFERENCE	SIZE	DWG NO	SHEET
				THIRD ANGLE PROJECTION	C	056B34D15538	1

4 3 2 1

D

D

C

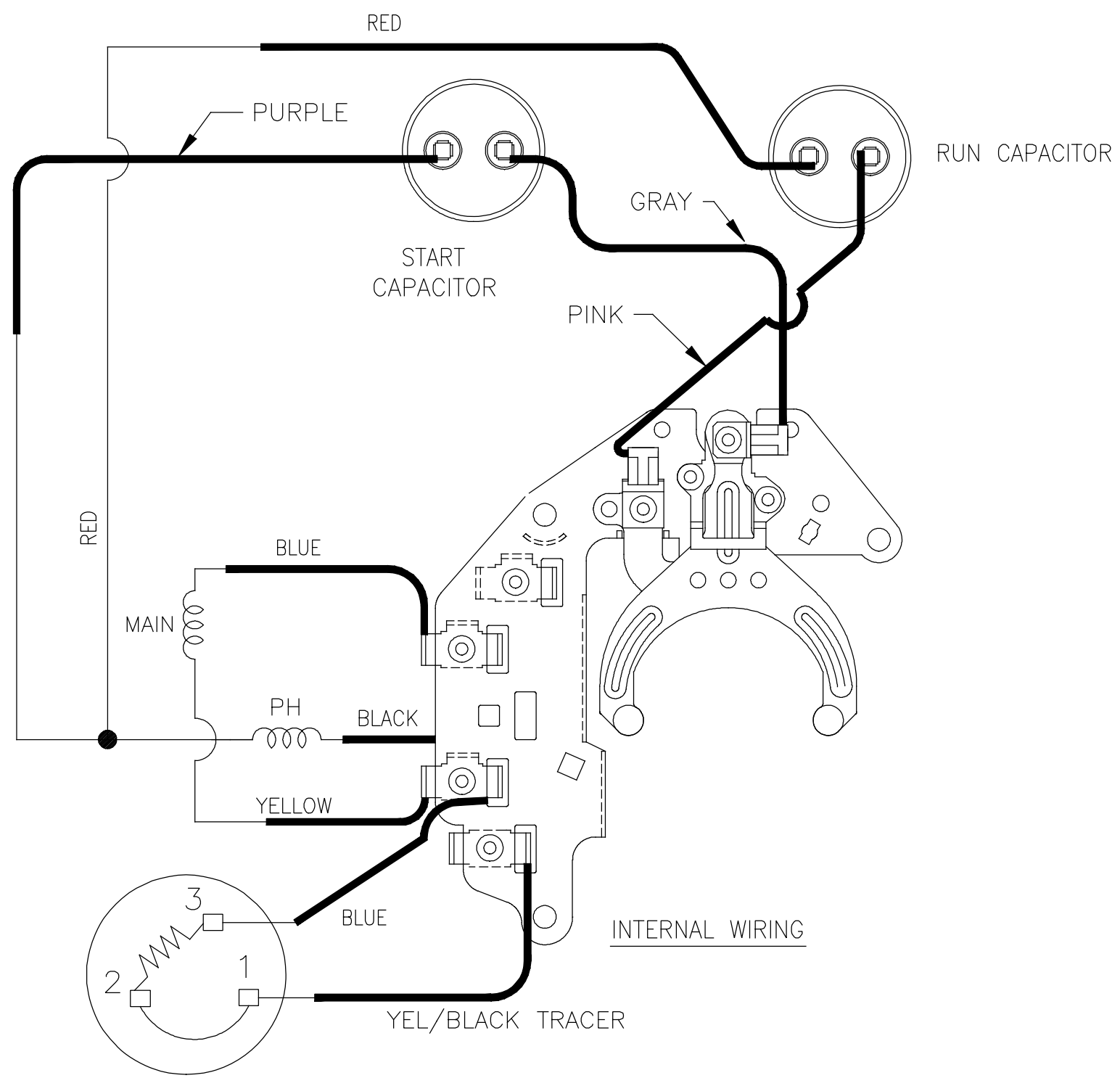
C

B

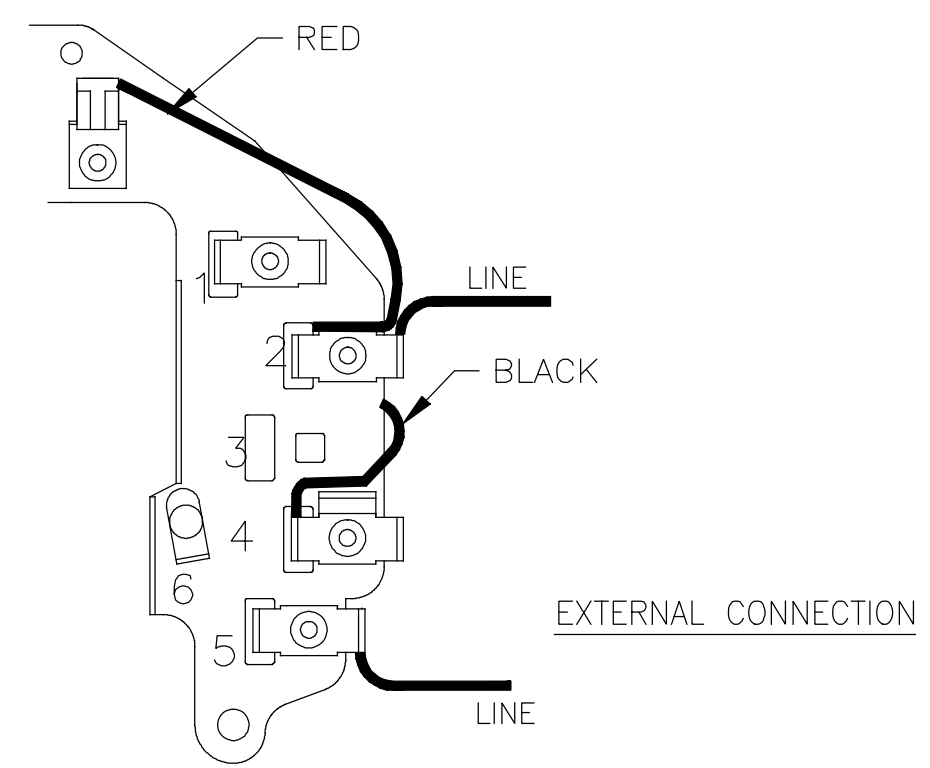
B

A

A



CONNECTIONS SHOWN ARE FOR CWLE ROTATION.
TO REVERSE, INTERCHANGE RED AND BLACK LEADS.



0056 DIAG. EXT. CONN, CP, SVOLT
REV, WITH PROT

DRAWING REVISION B	REVISION BY T. REYES	DATE 09/06/2019	TOLERANCES UNLESS OTHERWISE SPECIFIED	DRAWN BY: F. NAVARRO	Regal Beloit America, Inc.
ECO ECO-0154994	APPROVED BY	DATE	DEC. INCH mm ANGLE .X ±0.1 [±2.5] ±0.5° .XX ±0.02 [±0.51] .XXX ±0.005 [±0.127] .XXXX ±0.0005 [±0.0127]	DATE: 02-20-2017	
ECO DESCRIPTION SEE ECO	COPYRIGHT REGAL BELOIT AMERICA, INC. ALL RIGHTS RESERVED. PROPRIETARY AND CONFIDENTIAL INFORMATION - THIS DOCUMENT IS THE PROPERTY OF REGAL BELOIT AMERICA, INC. (OWNER) AND CONTAINS OWNER'S PROPRIETARY INFORMATION. ANY PERSON, CORPORATION OR OTHER FIRM RECEIVING IT IS DEEMED, BY RECEIVING IT, TO AGREE THAT IT, AND/OR ANY PART OF IT, SHALL NOT BE DISCLOSED TO ANY PERSON, CORPORATION OR OTHER ENTITY, DUPLICATED, AND/OR USED, EXCEPT AS EXPRESSLY APPROVED IN WRITING IN ADVANCE BY OWNER. THIS DOCUMENT SHALL BE RETURNED TO OWNER UPON REQUEST. IT MAY BE SUBJECT TO CERTAIN RESTRICTIONS UNDER APPLICABLE EXPORT CONTROL LAWS AND REGULATIONS.		REMOVE BURRS & BREAK SHARP EDGES .003/.015 [0.076/.381] CORNER FILLETS .02 [.51] MACHINED SURFACES $\frac{125}{\text{INCH}} \sqrt{\frac{3.2}{\text{mm}}}$	APPROVED BY:	DESCRIPTION CONN DIAGRAM-EXTERNAL
			mm SHOWN IN [BRACKETS]	DATE:	MATERIAL
				REFERENCE	PROCESS/FINISH
				THIRD ANGLE PROJECTION	SIZE DWG NO C D0000868-001
					SHEET 1

4 3 2 1



CERTIFICATION DATA SHEET

CUSTOMER:
ORDER #:
CONN. DIAGRAM: TBD
OUTLINE: TBD
WINDING #: ZB224 4

CUSTOMER PO#:
MODEL #: 56B34D15538 A
CUSTOMER PART #:
MOUNTING: F1 ONLY

TYPICAL MOTOR PERFORMANCE DATA

HP	kW	SYNC. RPM	F.L. RPM	FRAME	ENCLOSURE	KVA CODE	DESIGN
3	2.24	3600	3450	56H	DP	H	L

PH	Hz	VOLTS	AMPS	START TYPE	DUTY	INSL	S.F.	AMB°C
1	60	230	12.4	ACROSS THE LINE	CONTINUOUS	F3	1.15	40

FULL LOAD EFF:	84	3/4 LOAD EFF:	83.2	1/2 LOAD EFF:	78.6	GTD. EFF		ELEC. TYPE	
FULL LOAD PF:	98.6	3/4 LOAD PF:	99.4	1/2 LOAD PF:	99.1	0	CAP START CAP RUN		

F.L. TORQUE	LOCKED ROTOR AMPS	L.R. TORQUE	B.D. TORQUE	F.L. RISE°C
7.45 LB-FT	135	13.8 LB-FT 0 %	19.8 LB-FT - %	75

SOUND PRESSURE @ 3 FT.	SOUND POWER	ROTOR WK^2	MAX. WK^2	SAFE STALL TIME	STARTS / HOUR	APPROX. MOTOR WGT
0 dBA	10 dBA	0 LB-FT^2	0 LB-FT^2	0 SEC.	0	0 LBS.

***** SUPPLEMENTAL INFORMATION *****

DE BRACKET TYPE	ODE BRACKET TYPE	MOUNT TYPE	ORIENTATION	SEVERE DUTY	HAZARDOUS LOCATION	DRIP COVER	SCREENS	PAINT
STANDARD	STANDARD	RIGID	HORIZONTAL	FALSE	NONE	FALSE	NONE	BLUE (POWDER)

BEARINGS		GREASE	SHAFT TYPE	SPECIAL DE	SPECIAL ODE	SHAFT MATERIAL	FRAME MATERIAL
DE	ODE						
BALL	BALL	POLYREX EM	STANDARD 56	NONE	NONE	1144 STRESSPROOF (C-223)	ROLLED STEEL
NONE	NONE						

THERMO-PROTECTORS				THERMISTORS	CONTROL	SPACE HEATERS
THERMOSTATS	PROTECTORS	WDG RTDs	BRG RTDs			
NONE	MANUAL	NONE	NONE	NONE	FALSE	NONE VOLTS

*
N
O
T
E
S
*

INVERTER TORQUE: NONE
INV. HP SPEED RANGE: NONE
ENCODER: NONE
NONE NONE
NONE NONE PPR
BRAKE: NONE NONE
NONE P/N NONE
NONE NONE
NONE FT-LB NONE V NONE Hz

PREPARED BY: Sumanth Raja Ghanta
DATE: 10/09/2018 03:54:57 AM
 FORM 3531 REV.3 02/07/99
 ** Subject to change without notice.



REGAL REXNORD CORPORATION
TYPICAL PERFORMANCE CURVE for AC MOTOR

Customer

Curve at

230
60
3

Volts
HZ
HP

HP 3.00

PHASE 1

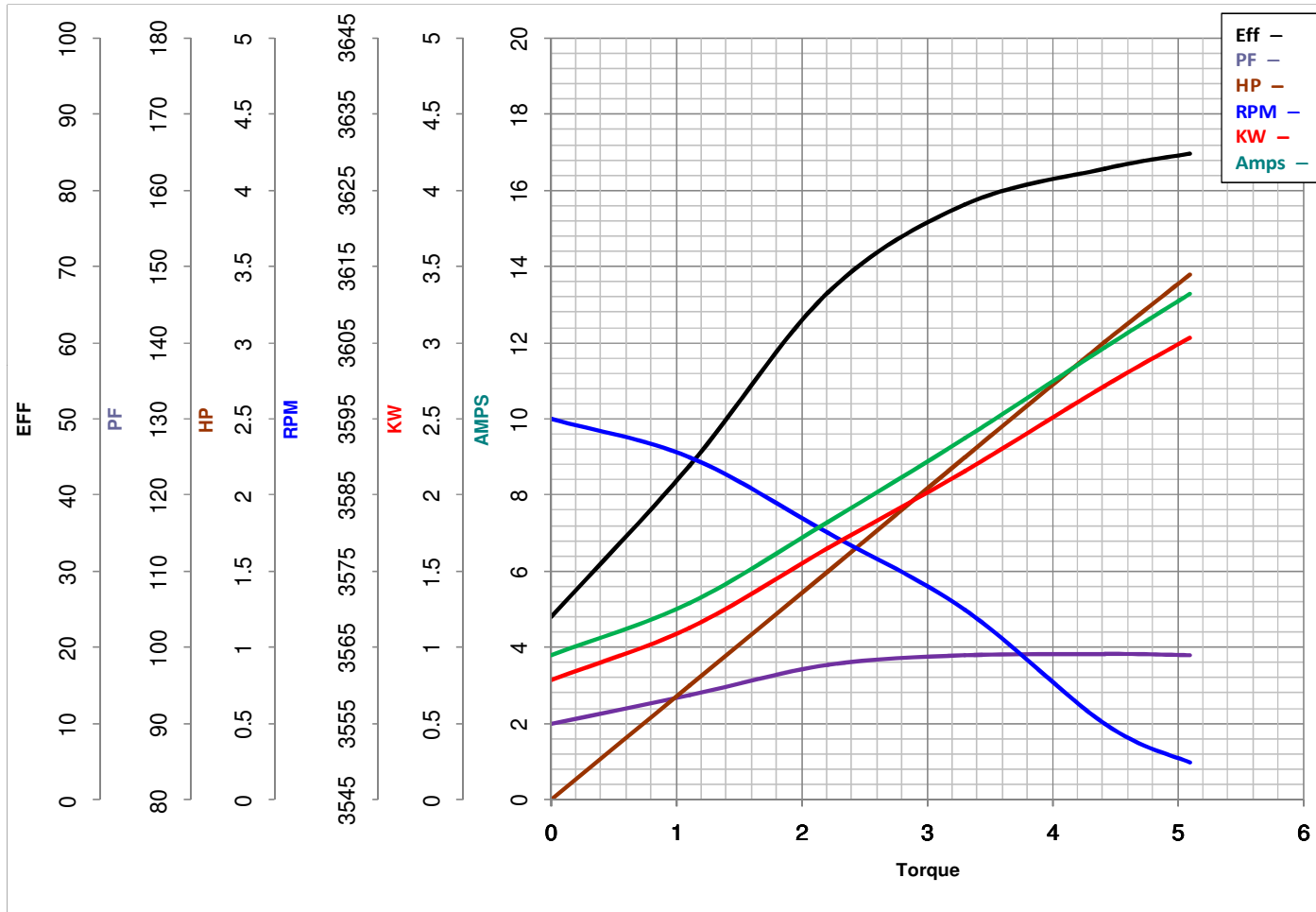
Model No 56B34D15538

VOLTS 230

Catalog No C1270A

HZ 60

RPM 3450



Torque in LB-FT

FL TORQUE 4.42 LB-FT
BD TORQUE 19.8 LB-FT
LR TORQUE 13.8 LB-FT

FL AMPS 12.4
PU TORQUE 13.6 LB-FT
LR AMPS 135

WINDING ZB224-4

Date 1/11/2019

EC Declaration of Conformity

The undersigned representing
the manufacturer:

Regal Beloit America
1946 West Cook Road
Fort Wayne, IN 46818

and the authorized representative
established within the Community:

Regal Beloit Italy
Via Modena, 18
24040 Ciserano(BG) - Italy

are committed to providing customers with products that comply with applicable regulations and international protocols to which they are subject, including the requirements of the European Parliament Directive on the Harmonization of the laws relating to electrical equipment designed for use within certain voltage limits (2014/35/EU).

Regal Beloit America declares that the following product(s), to which this declaration relates, are in conformity with the relevant sections of the EC standards listed below.

This statement supersedes any statements previously issued pertaining to the product(s) listed below and is subject to change without notice.

Model No : 056B34D15538

(Model No. may contain prefix and/or suffix characters)

Catalog No : C1270A

Rework No : N/A

Directives :

Low Voltage Directive 2014/35/EU

Harmonized Standards Used :

EN 60034-1: 2010 (IEC 60034-1: 2010)

EN 60034-5: 2001/A1:2007 (IEC 60034-5: 2000/A1:2006)

Authorized Representative:



Zach Stauffer
Vice President, Engineering

Authorized Representative in the Community:



Stefano Casiraghi
Technology Director, Engineering

Created on 07/08/2025

CE 25