

PRODUCT INFORMATION PACKET



Model No: 056B34D2027

Catalog No: D115

General Purpose Motor, 1.50 HP, 1 Ph, 60 Hz, 115/208-230 V, 3600 RPM, 56 Frame, DP



Regal and LEESON are trademarks of Regal Rexnord Corporation or one of its affiliated companies.
©2025 Regal Rexnord Corporation, All Rights Reserved. MC017097E



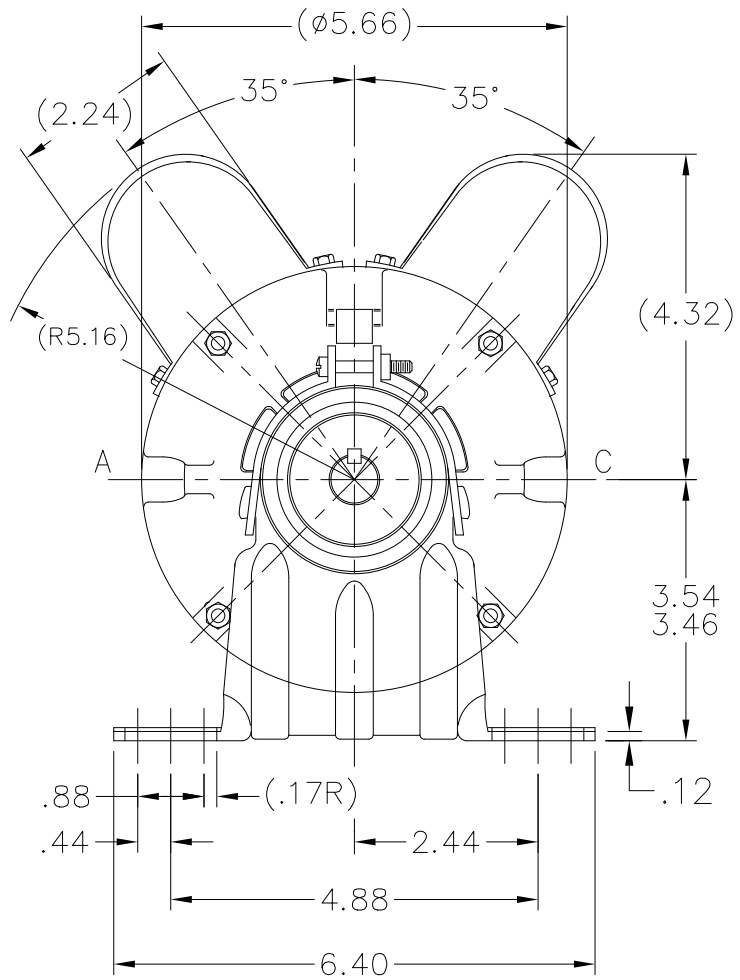
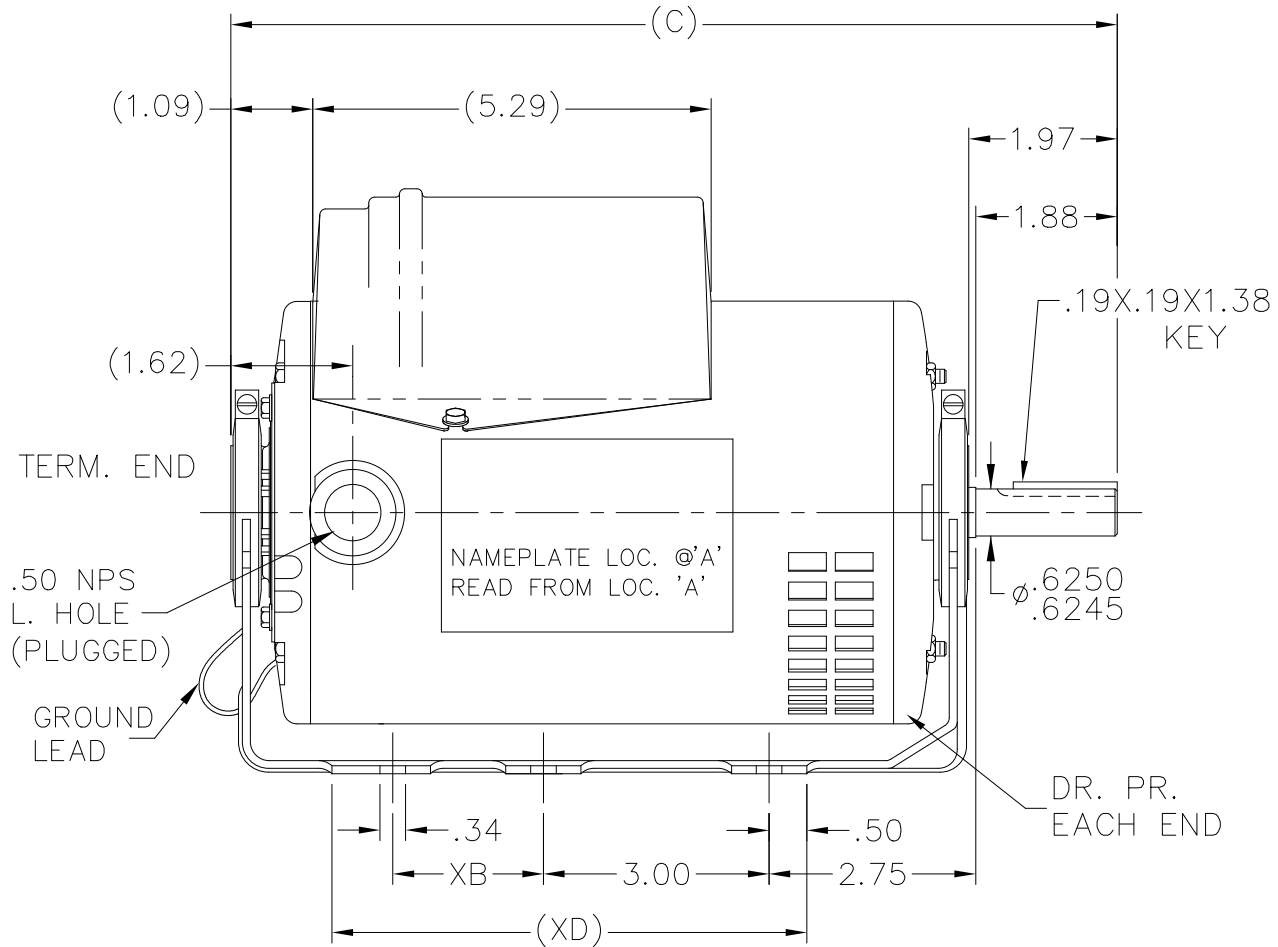


Nameplate Specifications

Phase	1	Output HP	1.50 Hp
Output KW	1.1 kW	Voltage	115/208-230 V
Speed	3450 rpm	Service Factor	1.15
Frame	56	Enclosure	Drip Proof
Thermal Protection	Automatic	Efficiency	78.7 %
Ambient Temperature	40 °C	Frequency	60 Hz
Current	13.0/7.4-6.5 A	Power Factor	95.8
Duty	Continuous	Insulation Class	B
Design Code	NO DESIGN CODE	KVA Code	H
Drive End Bearing Size	6203	Opp Drive End Bearing Size	6203
UL	Recognized (Not Protector)	CSA	Y
CE	Y	IP Code	22
Number of Speeds	1		

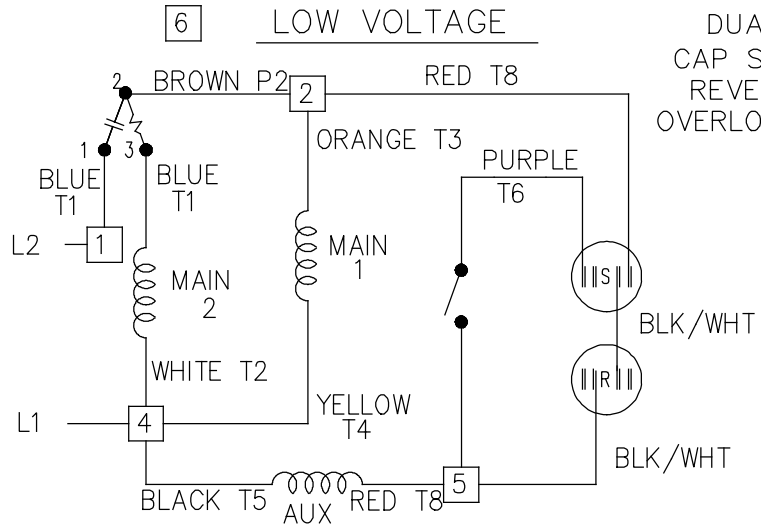
Technical Specifications

Electrical Type	Capacitor Start Capacitor Run	Starting Method	Across The Line
Poles	2	Rotation	Selective Counterclockwise
Resistance Main	0 Ohms	Mounting	Resilient Base
Motor Orientation	Horizontal	Drive End Bearing	Ball
Opp Drive End Bearing	Ball	Frame Material	Rolled Steel
Shaft Type	NEMA 56	Overall Length	11.72 in
Frame Length	7.75 in	Shaft Diameter	0.625 in
Shaft Extension	1.97 in	Assembly/Box Mounting	F1 ONLY
Outline Drawing	A-SS75620-775	Connection Drawing	A-EE9002F

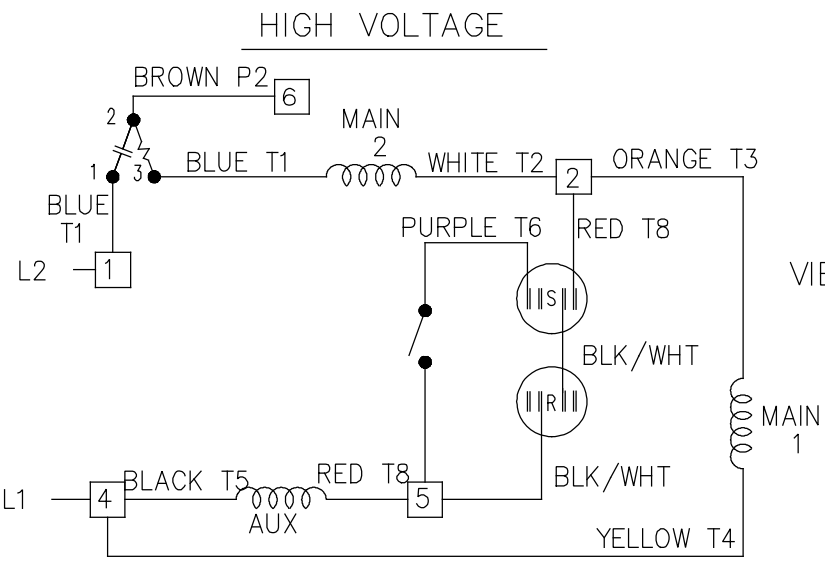
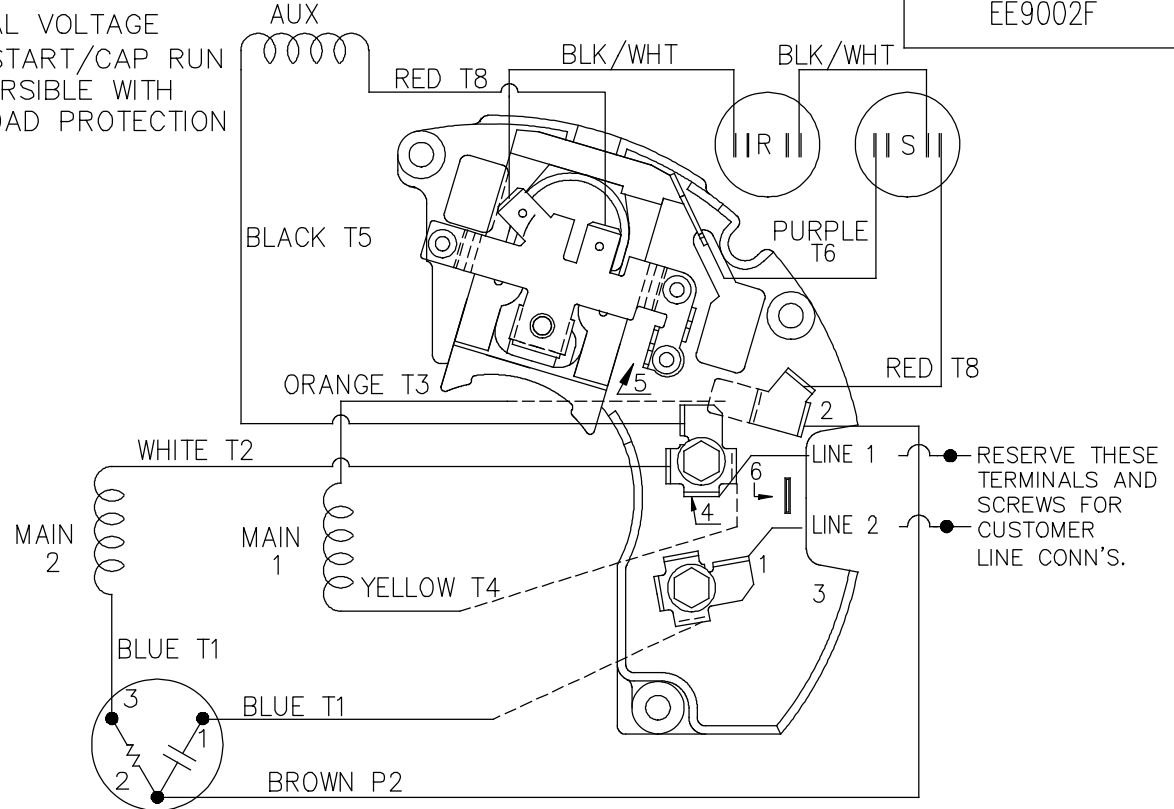


DASH	XB	XD	C
775	0	6.31	11.72

NO.	REVISION	BY & DATE	CHK	TOLERANCES UNLESS SPECIFIED		Regal Rexnord Regal Beloit America, Inc.	DRAWN RM 11-11-1992			
				DEC.	INCHES			CHK ML 11-12-1992		
4	CHG FROM MARATHON TO RRX TEMPLATE PER ECR-0233452	MD 5/2/2024	DS	.X	±.1	TITLE OUTLINE	APPD JAY 11-16-1992			
3	UPDATED DRAWING	TJW 04/20/2007		.XX	±.03		SCALE 3=8			
2	REDRAWN IN AUTOCAD	TAT 09-01-2004	ML	.XXX	±.005	MAT'L.	REF			
1	NEW DRAWING 3970597	RM 11-19-1992		.XXXX	±.0005		FMF			
				ANG	±7'30"	FINISH	PREV			
THIS DRAWING IN DESIGN AND DETAIL IS OUR PROPERTY AND MUST NOT BE USED EXCEPT IN CONNECTION WITH OUR WORK ALL RIGHTS OF DESIGN AND INVENTION ARE RESERVED THIS IS AN ELECTRONICALLY GENERATED DOCUMENT - DO NOT SCALE THIS PRINT				RFP	CAD FILE ss75620		SIZE A	DRAWING NO. SS75620	PAGE OF 4	REV. 4
				DIST WP					3 of 7	



DUAL VOLTAGE
 CAP START/CAP RUN
 REVERSIBLE WITH
 OVERLOAD PROTECTION




VIEWING TERM END

LOW VOLTAGE CCW ROTATION SHOWN.

FOR HIGH VOLTAGE
 CONNECT BROWN TERM 2 TO TERM 6.
 CONNECT WHITE TERM 4 TO TERM 2.

TO REVERSE ROTATION EITHER
 VOLTAGE INTERCHANGE RED
 LEAD WITH BLACK LEAD.

DASH LINES INDICATE LEADS CONNECTED
 TO MOTOR SIDE OF SWITCH.

6	ADDED T MARKINGS	DS 07/19/2018	VC	TOLERANCES UNLESS SPECIFIED		 Regal Beloit America, Inc.	DRAWN ML 02-11-1988		
5	REVISED LINE 2 LOCATION	RM 01-28-1991		DEC.	INCHES		CHK FG 02-11-1988		
4	UPDATED SCHEMATIC PER CN 6014	DA 08-01-1990		.X	± -	APPD DNR 03-11-1988			
3	RED LEAD FROM AUX WAS ON ANGLE TERM. PURPLE LEAD WAS RED CN 6014	DA 07-02-1990		.XX	± -	TITLE CONNECTION DIAGRAM 48 FR. DUAL VOLTAGE REVERSIBLE	SCALE 1=1		
2	ADDED CUSTOMER CONNECTION NOTE. CN 6011	BW 08-03-1989		.XXXX	± -	MAT'L.	REF FMF		
NO.	REVISION	BY & DATE	CHK	ANG	± -	FINISH	PREV		
THIS DRAWING IN DESIGN AND DETAIL IS OUR PROPERTY AND MUST NOT BE USED EXCEPT IN CONNECTION WITH OUR WORK ALL RIGHTS OF DESIGN AND INVENTION ARE RESERVED THIS IS AN ELECTRONICALLY GENERATED DOCUMENT - DO NOT SCALE THIS PRINT			RFP	CAD FILE EE9002F		SIZE A	DRAWING NO. EE9002F	PAGE OF	REV. 6
			DIST	WP					



REGAL REXNORD CORPORATION
TYPICAL PERFORMANCE CURVE for AC MOTOR

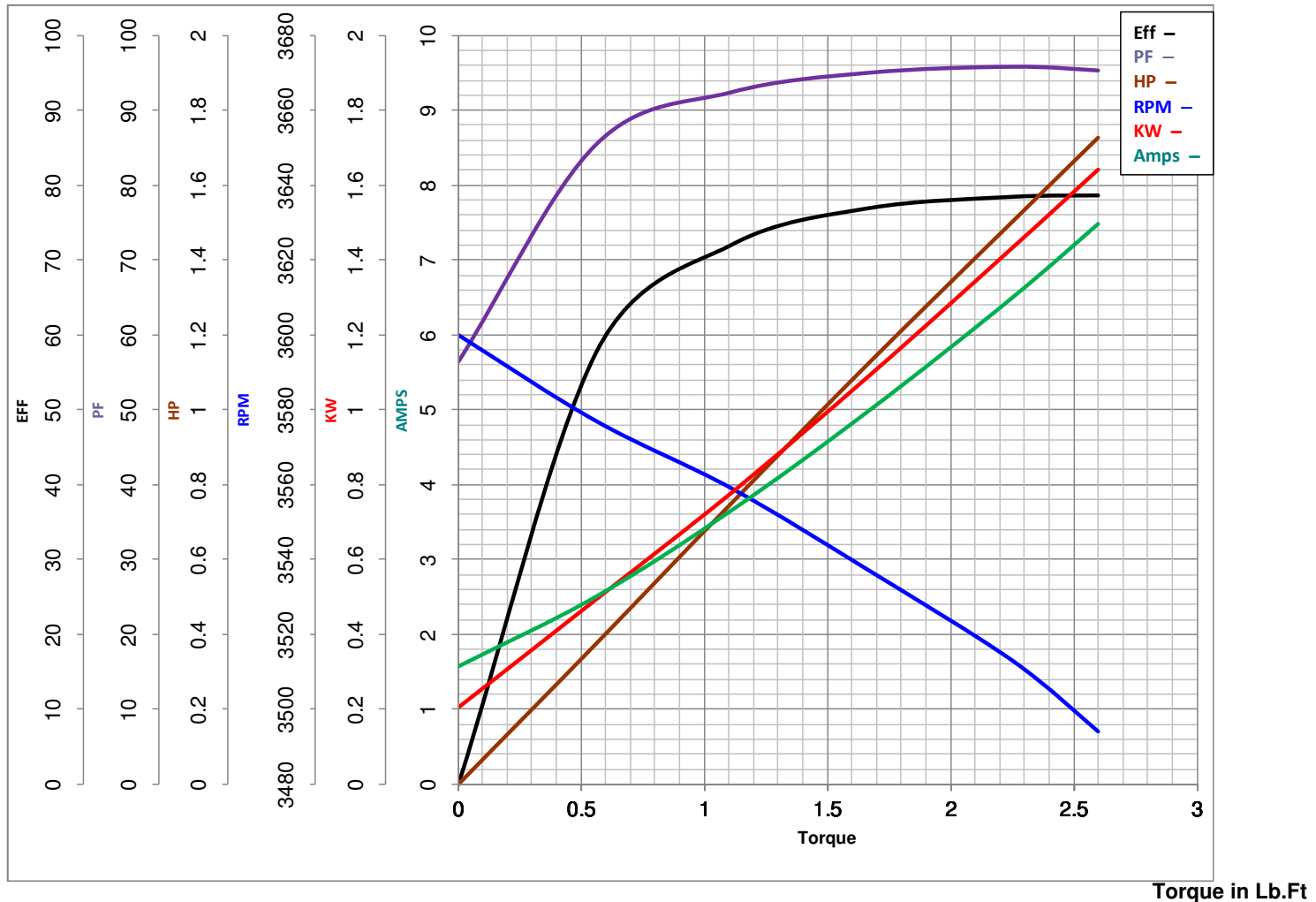
Customer

Curve at 230 Volts HP 1.50 PHASE 1
60 HZ
1.5 HP VOLTS 115/208-230

Model No 56B34D2027

Catalog No D115

HZ 60 RPM 3450



FL TORQUE	<u>2.25</u>	Lb.Ft	FL AMPS	<u>13/7.4-6.5</u>
BD TORQUE	<u>5.2</u>	Lb.Ft	PU TORQUE	<u>3.5</u> Lb.Ft
LR TORQUE	<u>3.63</u>	Lb.Ft	LR AMPS	<u>41.8</u>
WINDING	BE48237-3		Date	<u>1/2/2019</u>

EC Declaration of Conformity

The undersigned representing
the manufacturer:

Regal Beloit America
1946 West Cook Road
Fort Wayne, IN 46818

and the authorized representative
established within the Community:

Regal Beloit Italy
Via Modena, 18
24040 Ciserano(BG) - Italy

are committed to providing customers with products that comply with applicable regulations and international protocols to which they are subject, including the requirements of the European Parliament Directive on the Harmonization of the laws relating to electrical equipment designed for use within certain voltage limits (2014/35/EU).

Regal Beloit America declares that the following product(s), to which this declaration relates, are in conformity with the relevant sections of the EC standards listed below.

This statement supersedes any statements previously issued pertaining to the product(s) listed below and is subject to change without notice.

Model No : 056B34D2027

(Model No. may contain prefix and/or suffix characters)

Catalog No : D115

Rework No : N/A

Directives :

Low Voltage Directive 2014/35/EU

Harmonized Standards Used :

EN 60034-1: 2010 (IEC 60034-1: 2010)

EN 60034-5: 2001/A1:2007 (IEC 60034-5: 2000/A1:2006)

Authorized Representative:



Zach Stauffer
Vice President, Engineering

Authorized Representative in the Community:



Stefano Casiraghi
Technology Director, Engineering

Created on 07/08/2025

CE 25