

PRODUCT INFORMATION PACKET



Model No: 056B34F5312

Catalog No: K615

Pressure Washer Motor, 2 HP, 1 Ph, 60 Hz, 115/230 V, 3600 RPM, 56HC Frame, TEFC



Regal and LEESON are trademarks of Regal Rexnord Corporation or one of its affiliated companies.

©2025 Regal Rexnord Corporation, All Rights Reserved. MC017097E



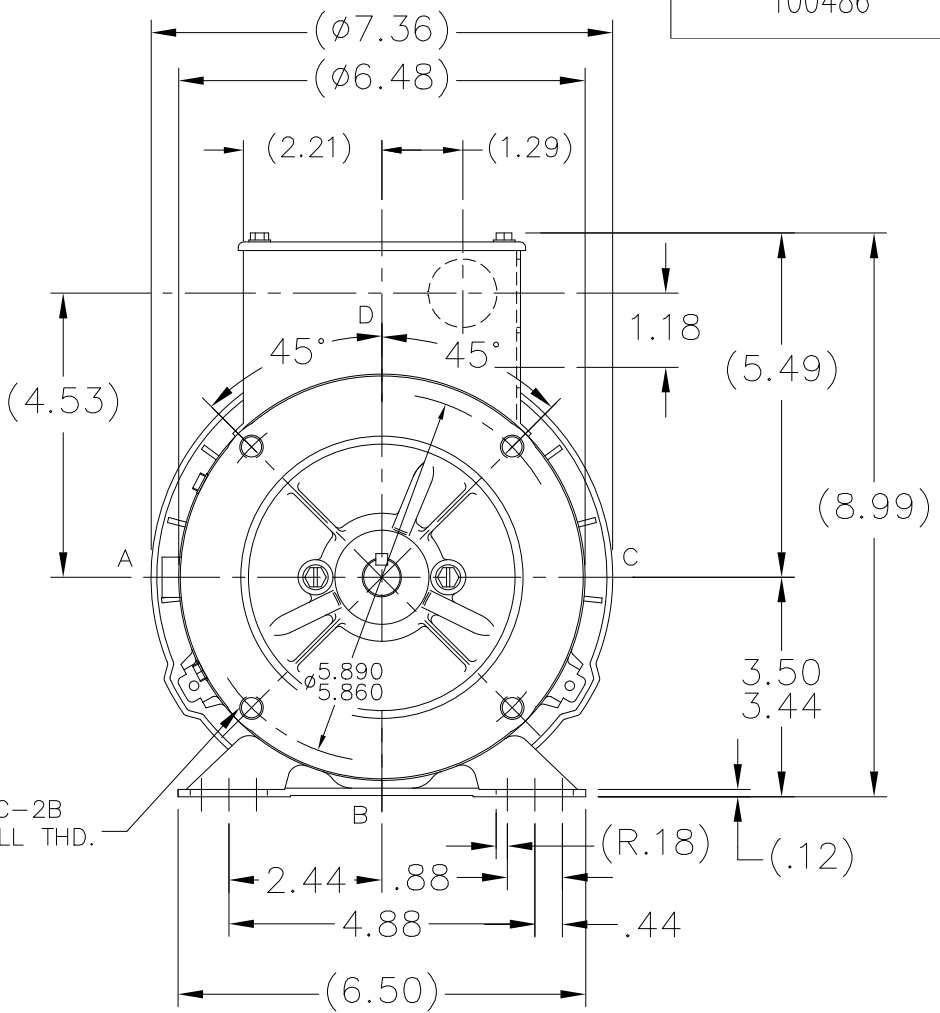
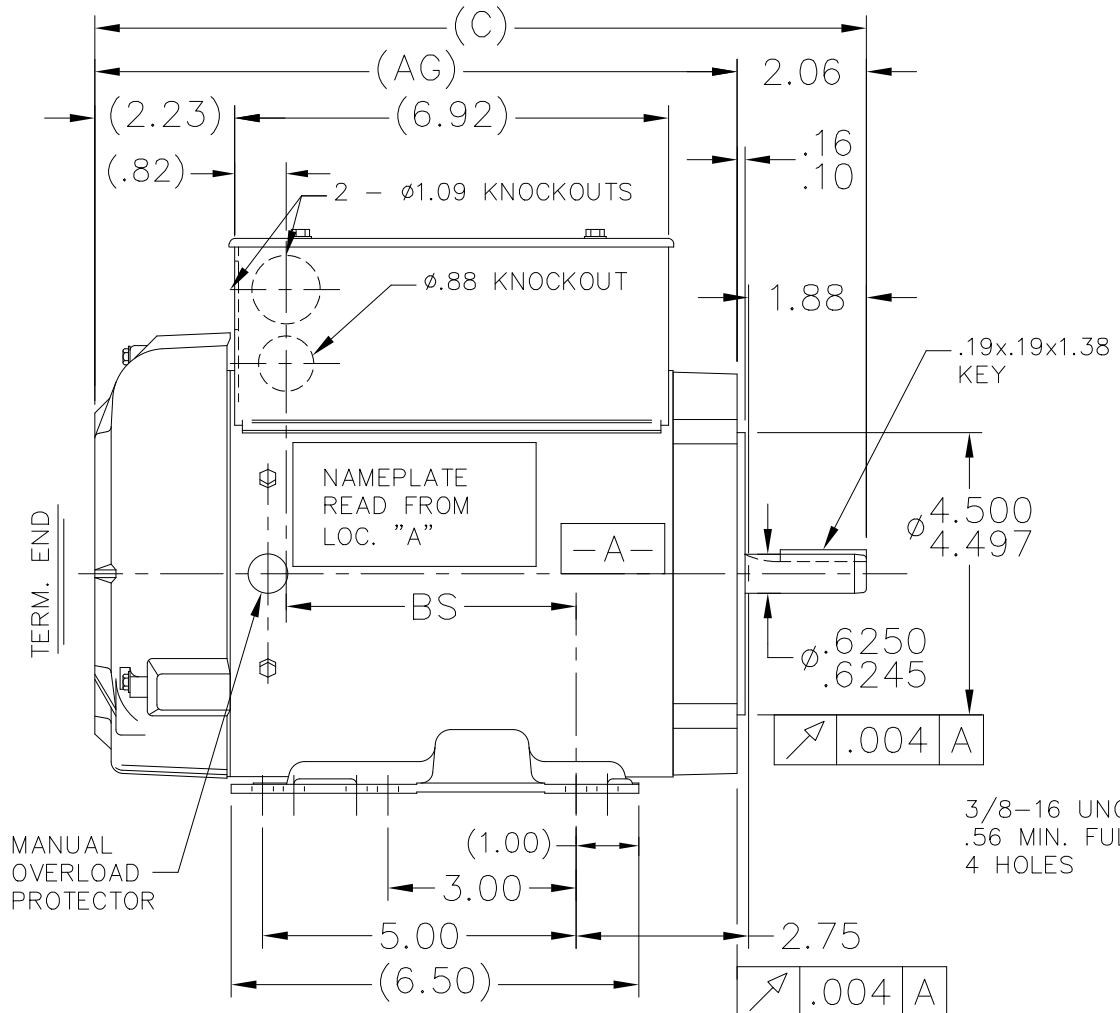


Nameplate Specifications

Phase	1	Output HP	2 Hp
Output KW	1.5 kW	Voltage	115/230 V
Speed	3450 rpm	Service Factor	1.15
Frame	56HC	Enclosure	Totally Enclosed Fan Cooled
Thermal Protection	Manual	Efficiency	80.5 %
Ambient Temperature	40 °C	Frequency	60 Hz
Current	17.5/8.7 A	Power Factor	92.2
Duty	Continuous	Insulation Class	B
Design Code	NO DESIGN CODE	KVA Code	J
Drive End Bearing Size	6203	Opp Drive End Bearing Size	6203
UL	Recognized (Not Protector)	CSA	Y
CE	N	IP Code	43
Number of Speeds	1		

Technical Specifications

Electrical Type	Capacitor Start Capacitor Run	Starting Method	Across The Line
Poles	2	Rotation	Selective Clockwise
Resistance Main	0 Ohms	Mounting	Rigid Base
Motor Orientation	Horizontal	Drive End Bearing	Ball
Opp Drive End Bearing	Ball	Frame Material	Rolled Steel
Shaft Type	T	Overall Length	13.32 in
Shaft Diameter	0.625 in	Shaft Extension	1.88 in
Assembly/Box Mounting	F3		
Connection Drawing	A-102006-52	Outline Drawing	A-100486-806



DASH	FR.	C	AG	BS	DASH	FR.	C	AG	BS
					806	56-80	13.32	11.25	5.64
656	56-65	11.82	9.75	4.14					
706	"-70	12.32	10.25	4.64					
756	"-75	12.82	10.75	5.14					

NO.	REVISION	BY & DATE	CHK	TOLERANCES UNLESS SPECIFIED		FINISH
				DEC.	INCHES	
				.X	±.1	
3	CHG FROM MARATHON TO REGAL REXNORD LOGO	KVDG 05-10-2024	DS	.XX	±.02	TITLE OUTLINE
2	CLARIFIED NAMEPLATE LOC.	DD 04-19-1993		.XXX	±.005	56 FR. - BB - TEFC - C'FACE - 1Ø
1	NEW DRAWING	CN 12167	RM 04-08-1991	.XXXX	±.0005	MAT'L.
				ANG	±7'30"	



Regal Beloit America, Inc.

DRAWN	RM	04-08-1991
CHK	ML	04-09-1991
APPD	JM	05-01-1991
SCALE		5=16
REF		
FMF		
PREV		

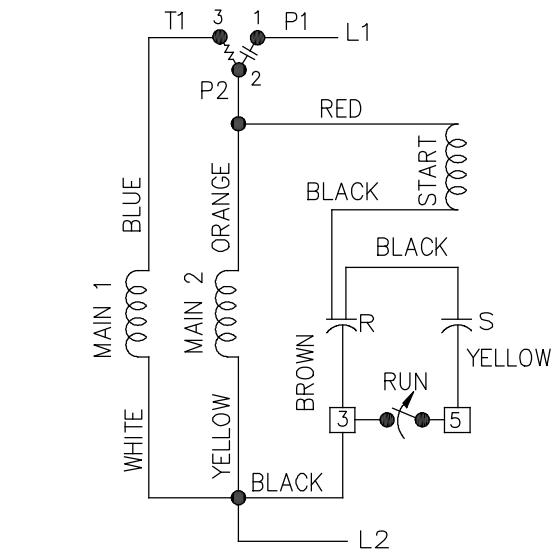
THIS DRAWING IN DESIGN AND DETAIL IS OUR PROPERTY AND MUST NOT BE USED EXCEPT IN CONNECTION WITH OUR WORK ALL RIGHTS OF DESIGN AND INVENTION ARE RESERVED THIS IS AN ELECTRONICALLY GENERATED DOCUMENT - DO NOT SCALE THIS PRINT

RFP	
DIST	WP

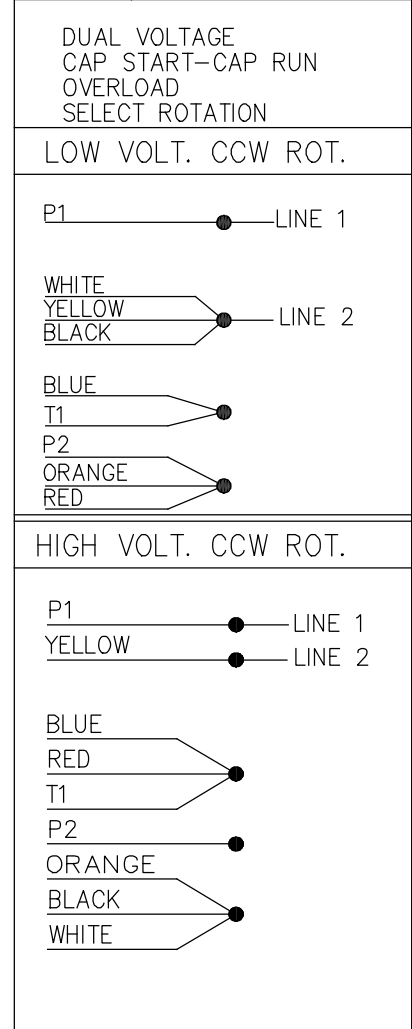
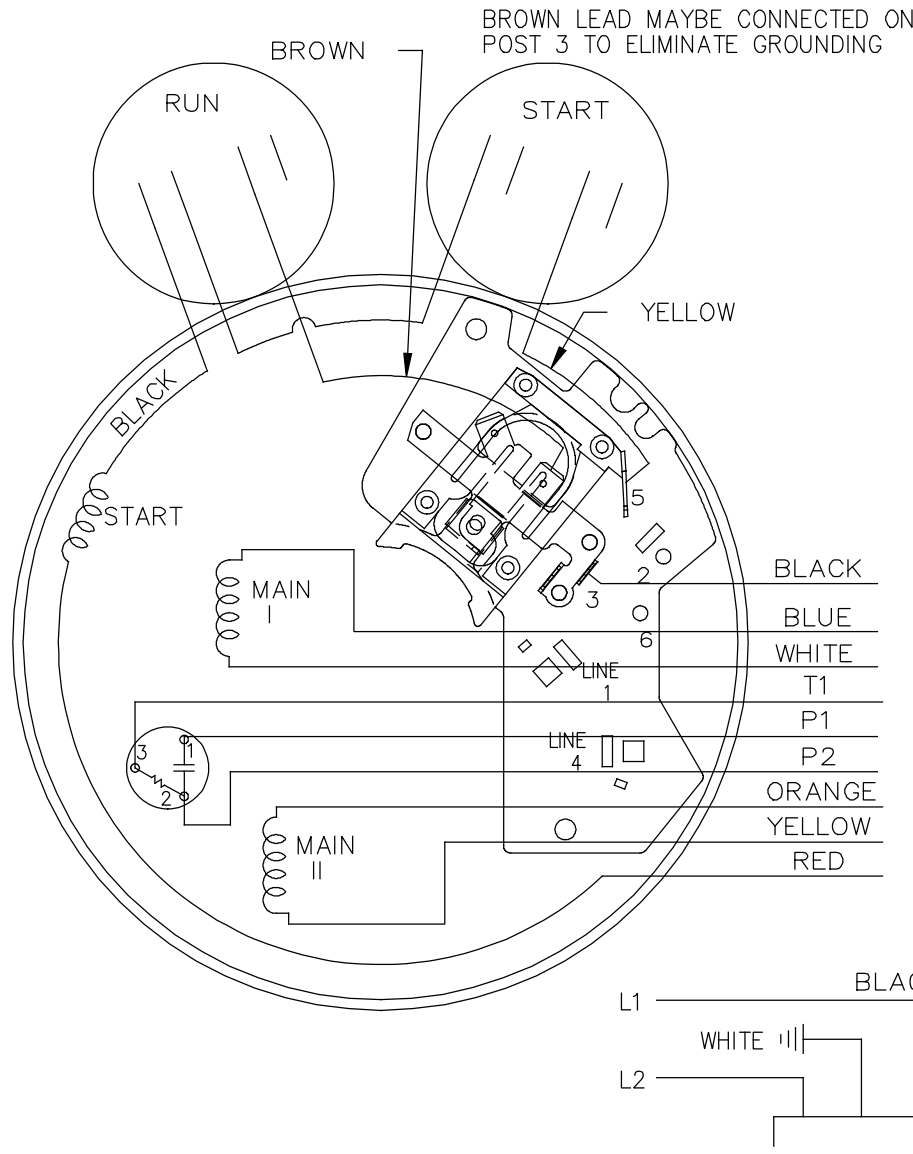
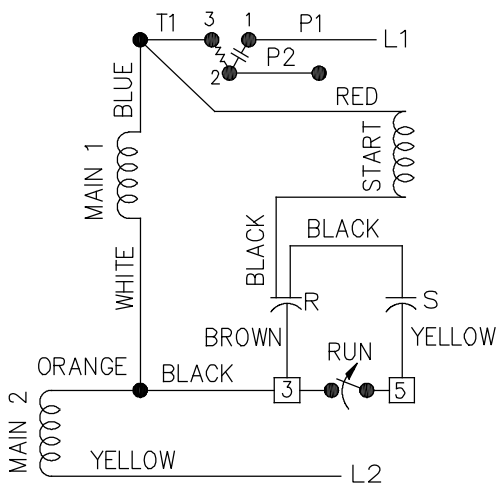
CAD FILE	100486
SIZE	A

DRAWING NO.	PAGE	OF	REV.
100486			2

LOW VOLTAGE C.C.W.



HIGH VOLTAGE C.C.W.



FOR CW ROT. EITHER VOLTAGE INTERCHANGE RED WITH BLACK LEAD.

14	UDATED LOGO TO REGAL	SN 01-09-2020		TOLERANCES UNLESS SPECIFIED		Regal Beloit America, Inc.	DRAWN ML 05-09-1992			
13	CHG'ED SWITCH TO OPEN WHEN RUNNING ISAAC 11-2715	KBB 06-23-2011	EH	DEC.	INCHES		CHK GK 05-09-1992			
12	REMOVE 1,2,3 & 4 ON LOW & HIGH VOLT CN 31436	TJB 02-14-2002	DRS	.X	±.1	APPD FG 05-09-1992	SCALE 5=8			
11	REMOVE BRAKE VIEW CN 31436	TJB 01-30-2002	DRS	.XX	±.02	TITLE CONNECTION DIAGRAM		REF		
10	ADDED BROW LEAD DETAIL NOTE CN 24300-323	BJW 02-28-2000		.XXX	±.005			FMF		
9	ADDED CORD VIEW MU20434	BLR 07-01-1998		.XXXX	±.0005	MAT'L.		PREV		
NO.	REVISION	BY & DATE	CHK	ANG	±7'30"	FINISH				
THIS DRAWING IN DESIGN AND DETAIL IS OUR PROPERTY AND MUST NOT BE USED EXCEPT IN CONNECTION WITH OUR WORK ALL RIGHTS OF DESIGN AND INVENTION ARE RESERVED THIS IS AN ELECTRONICALLY GENERATED DOCUMENT - DO NOT SCALE THIS PRINT			RFP	CAD FILE 102006-52			SIZE	DRAWING NO.	PAGE OF	REV.
			DIST	WP			A	102006-52	14	

CERTIFICATION DATA SHEET

Model#: 56B34F5312 K
CONN. DIAGRAM: A-102006-52
OUTLINE: A-100486-806

WINDING#: ZB237 NONE 3
ASSEMBLY: F3

TYPICAL MOTOR PERFORMANCE DATA

HP	KW	SYNC. RPM	F.L. RPM	FRAME	ENCLOSURE	KVA CODE	DESIGN
2	1.50	3600	3450	56HC	TEFC	J	NO DESIGN CODE

PH	Hz	VOLTS	FL AMPS	START TYPE	DUTY	INSL	S.F	AMB°C	ELEVATION
1	60	115/230	17.5/8.7	ACROSS THE LINE	CONTINUOUS	B3	1.15	40	3300

FULL LOAD EFF: 80.5	3/4 LOAD EFF: 79.8	1/2 LOAD EFF: 74	GTD. EFF	ELEC. TYPE	NO LOAD AMPS
FULL LOAD PF: 92.2	3/4 LOAD PF: 92.2	1/2 LOAD PF: 92	0	CAP START CAP RUN	4.4 / 2.2

F.L. TORQUE	LOCKED ROTOR AMPS	L.R. TORQUE	B.D. TORQUE	F.L. RISE°C
2.97 LB-FT	124.6 / 62.3	6.16 LB-FT -	7.14 LB-FT -	-

SOUND PRESSURE @ 3 FT.	SOUND POWER	ROTOR WK^2	MAX. WK^2	SAFE STALL TIME	STARTS / HOUR	APPROX. MOTOR WGT
0 dBA	10 dBA	- LB-FT^2	0 LB-FT^2	0 SEC.	0	- LBS.

***** SUPPLEMENTAL INFORMATION *****

DE BRACKET TYPE	ODE BRACKET TYPE	MOUNT TYPE	ORIENTATION	SEVERE DUTY	HAZARDOUS LOCATION	DRIP COVER	SCREENS	PAINT
C-FACE	BRAKE	RIGID	HORIZONTAL	FALSE	NONE	FALSE	NONE	GRAY (POWDER)

BEARINGS		GREASE	SHAFT TYPE	SPECIAL DE	SPECIAL ODE	SHAFT MATERIAL	FRAME MATERIAL
DE	OPE						
BALL	BALL	POLYREX EM	T	NONE	NONE	1144 STRESSPROOF (C-223)	ROLLED STEEL
6203	6203						

THERMO-PROTECTORS				THERMISTORS	CONTROL	SPACE /n HEATERS
THERMOSTATS	PROTECTORS	WDG RTDs	BRG RTDs			
NONE	MANUAL	NONE	NONE	NONE	FALSE	NONE VOLTS

If Inverter equals NONE, contact factory for further information

*
N
O
T
E
S
*

INVERTER TORQUE: NONE
INV. HP SPEED RANGE: NONE
ENCODER: NONE
NONE NONE
NONE NONE PPR
BRAKE: PROVISIONS FOR KIT NONE
NONE P/N NONE
NONE NONE
NONE FT-LB NONE V NONE Hz

DATE: 06/22/2017 04:31:44 AM
 FORM 3531 REV.3 02/07/99

** Subject to change without notice.



REGAL REXNORD CORPORATION
TYPICAL PERFORMANCE CURVE for AC MOTOR

Customer

Curve at 230 Volts
60 HZ
2 HP

HP 2.00

PHASE 1

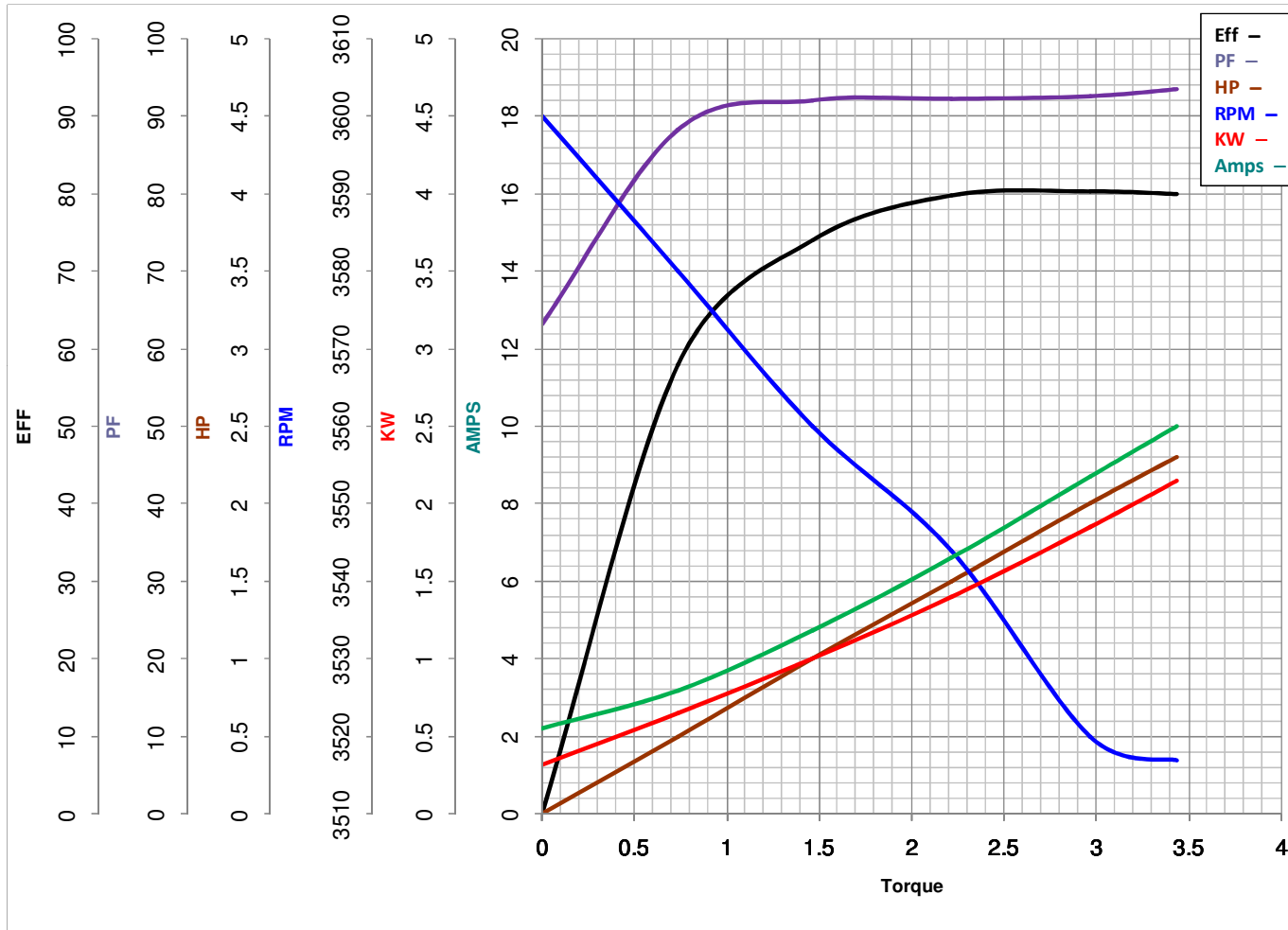
Model No 56B34F5312

VOLTS 115/230

Catalog No K615

HZ 60

RPM 3450



Torque in Lb.Ft

FL TORQUE 2.97 Lb.Ft
BD TORQUE 7.1 Lb.Ft
LR TORQUE 6.16 Lb.Ft

FL AMPS 17.5/8.7
PU TORQUE 4.6 Lb.Ft
LR AMPS 62.3

WINDING ZB237-3

Date 1/7/2019