

PRODUCT INFORMATION PACKET



Model No: 056B34F5328

Catalog No: D316

General Purpose Motor, 3 HP, 1 Ph, 60 Hz, 208-230 V, 3600 RPM, 56HC Frame, TEFC



Regal and LEESON are trademarks of Regal Rexnord Corporation or one of its affiliated companies.
©2025 Regal Rexnord Corporation, All Rights Reserved. MC017097E





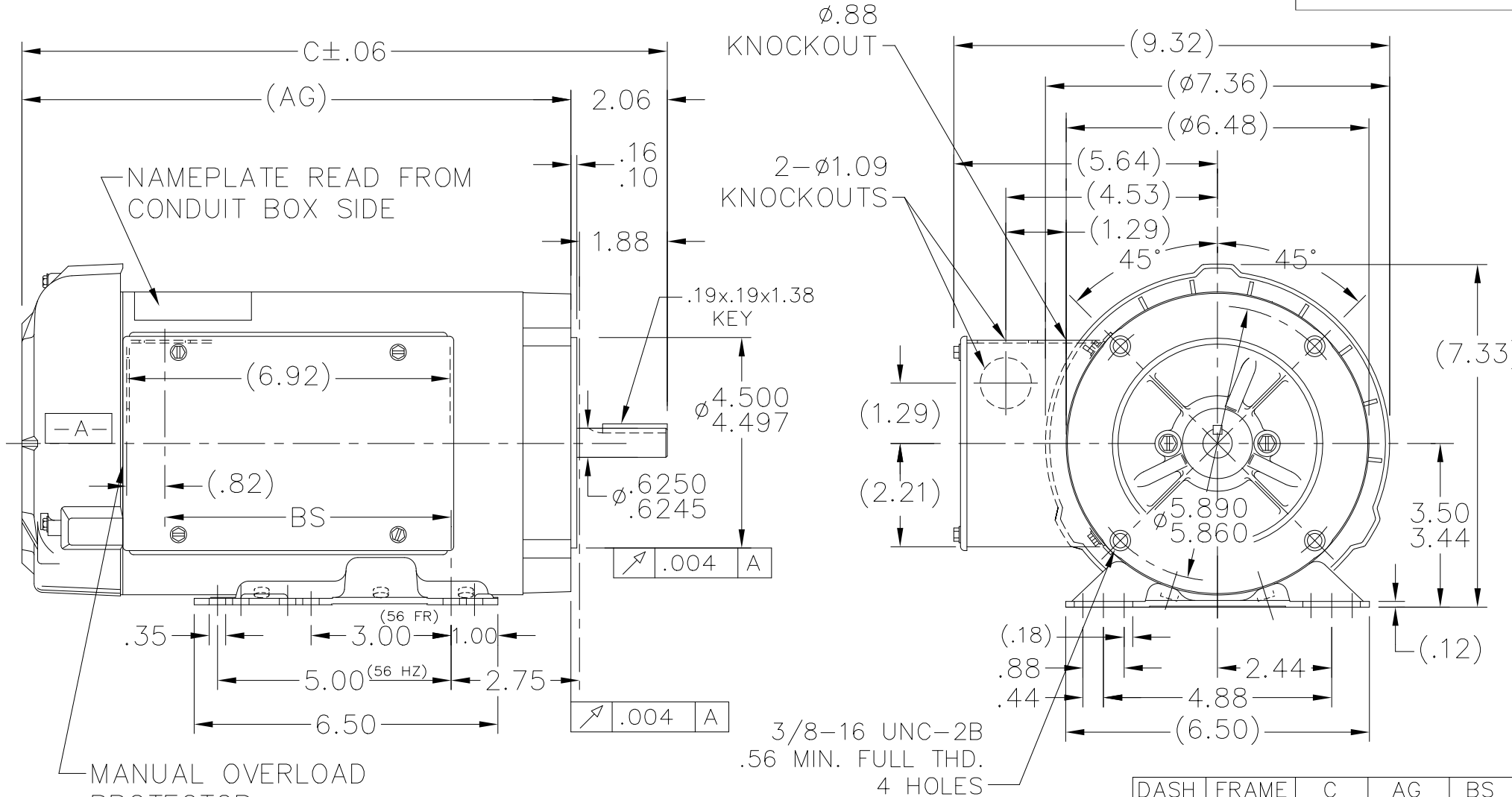
Nameplate Specifications

Phase	1	Output HP	3 Hp
Output KW	2.2 kW	Voltage	208-230 V
Speed	3450 rpm	Service Factor	1.15
Frame	56HC	Enclosure	Totally Enclosed Fan Cooled
Thermal Protection	No Protection	Efficiency	84 %
Ambient Temperature	40 °C	Frequency	60 Hz
Current	13.1-11.8 A	Power Factor	99.2
Duty	Continuous	Insulation Class	B
Design Code	N	KVA Code	H
Drive End Bearing Size	6205	Opp Drive End Bearing Size	6205
UL	Recognized	CSA	Y
CE	Y	IP Code	43
Number of Speeds	1		

Technical Specifications

Electrical Type	Capacitor Start Capacitor Run	Starting Method	Across The Line
Poles	2	Rotation	Selective Counterclockwise
Resistance Main	0 Ohms	Mounting	Bolt-on Base
Motor Orientation	Horizontal	Drive End Bearing	Ball
Opp Drive End Bearing	Ball	Frame Material	Rolled Steel
Shaft Type	NEMA 56	Overall Length	14.81 in
Frame Length	9.56 in	Shaft Diameter	0.625 in
Shaft Extension	2.06 in	Assembly/Box Mounting	F1 ONLY
Connection Drawing	102006-72	Outline Drawing	A-100144-956

TERM. END



NOTES:
1. BASE IS REMOVEABLE

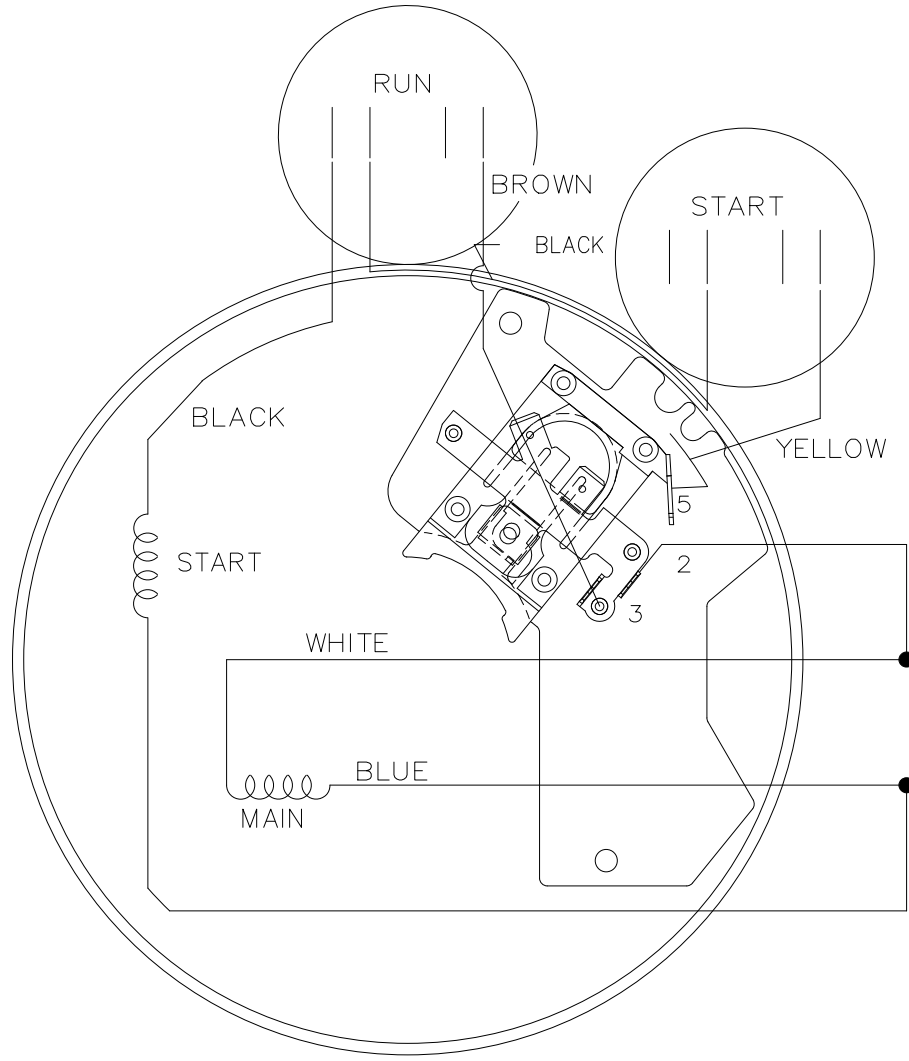
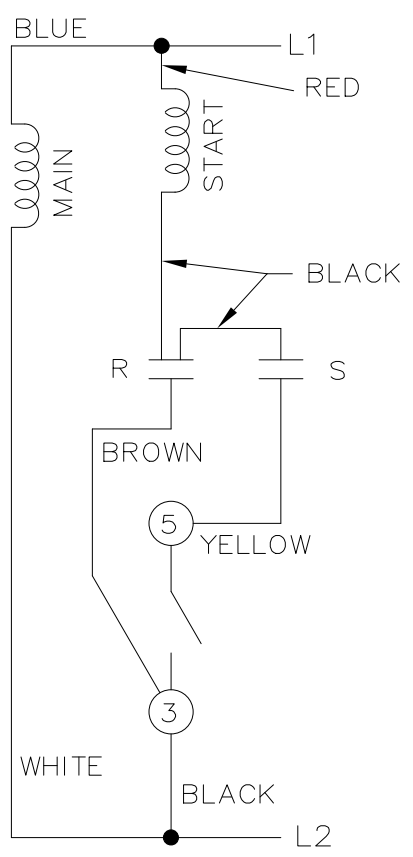
DASH	FRAME	C	AG	BS
806	56.80	13.31	11.25	5.63
856	"-75	13.81	11.75	6.13
906	"-80	14.31	12.25	6.63
956	"-85	14.81	12.75	7.13

		TOLERANCES UNLESS SPECIFIED		Regal Rexnord Regal Beloit America, Inc.		DRAWN BLR 05-27-1997		
		DEC.	INCHES	TITLE OUTLINE		CHK	ML 06-03-1997	
		.X	±.1	56 FR. - BB - TEFC - 1 ϕ - C"FACE <td>APPD</td> <td>GK 06-03-1997</td>		APPD	GK 06-03-1997	
		.XX	±.03	MAT'L. <td>SCALE</td> <td>5=16</td>		SCALE	5=16	
4	CHG FROM MARATHON TO REGAL REXNORD LOGO	KVDG 05-10-2024	DS	.XXX	±.005	REF		
3	REDRAWN ON CAD	BLR 06-03-1997		.XXXX	±.0005	FMF		
NO.	REVISION	BY & DATE	CHK	ANG	±7'30"	FINISH	PREV	
THIS DRAWING IN DESIGN AND DETAIL IS OUR PROPERTY AND MUST NOT BE USED EXCEPT IN CONNECTION WITH OUR WORK ALL RIGHTS OF DESIGN AND INVENTION ARE RESERVED THIS IS AN ELECTRONICALLY GENERATED DOCUMENT - DO NOT SCALE THIS PRINT		RFP	CAD FILE 100144		SIZE	DRAWING NO.	PAGE OF	REV.
		DIST WP	3 of 7		A	100144	3	3

LOW OR HIGH VOLTAGE C.C.W.

LOW OR HIGH VOLTAGE
CAPACITOR START-RUN
NO OVERLOAD SELECT ROT.

C.C.W. ROTATION
SHOWN, TO REVERSE,
INTERCHANGE RED WITH
BLACK LEAD.



DRAWING REVISION 7	REVISION BY KVDG	REV DATE/ © DATE 05/27/2025	TOLERANCES (EXCEPT AS NOTED): DEC. INCH — mm ANGLE .X ±0.1 [±3] ±0.5° .XX ±0.01 [±0.3] .XXX ±0.005 [±0.13] .XXXX ±0.0005 [±0.013]	DRAWN BY KL	Regal Beloit America, Inc.		
REQUEST NUMBER ECR-0243058	APPROVED BY DS	DATE 05/27/2025	REMOVE BURRS & BREAK SHARP EDGES: .003/.015 [.08/.38] X 45 CORNER FILLETS: R.02 [.5]	DATE 11-19-1993			
REQUEST NUMBER DESCRIPTION CHD FROM MARATHON TO RRX TEMPLATE				APPROVED BY GK	DESCRIPTION CONNECTION DIAGRAM		
COPYRIGHT (PER REVISION DATE) REGAL BELOIT AMERICA, INC. ALL RIGHTS RESERVED. PROPRIETARY AND CONFIDENTIAL INFORMATION - THIS DOCUMENT IS THE PROPERTY OF REGAL BELOIT AMERICA, INC. (OWNER) AND CONTAINS OWNER'S PROPRIETARY INFORMATION. ANY PERSON, CORPORATION OR OTHER FIRM RECEIVING IT IS DEEMED, BY RECEIVING IT, TO AGREE THAT IT, AND/OR ANY PART OF IT, SHALL NOT BE DISCLOSED TO ANY PERSON, CORPORATION OR OTHER ENTITY, DUPLICATED, AND/OR USED, EXCEPT AS EXPRESSLY APPROVED IN WRITING IN ADVANCE BY OWNER. THIS DOCUMENT SHALL BE RETURNED TO OWNER UPON REQUEST. IT MAY BE SUBJECT TO CERTAIN RESTRICTIONS UNDER APPLICABLE EXPORT CONTROL LAWS AND REGULATIONS.				DATE 11-30-1993			
			REFERENCE	MAT'L	PROCESS/FINISH		
			mm DIMENSIONS IN [BRACKETS] ARE FOR REFERENCE ONLY	THIRD ANGLE PROJECTION	SIZE A	DRAWING NUMBER 102006-72	SHEET 1 OF 1



REGAL REXNORD CORPORATION
TYPICAL PERFORMANCE CURVE for AC MOTOR

Customer

Curve at

230 Volts
60 HZ
3 HP

HP 3.00

PHASE 1

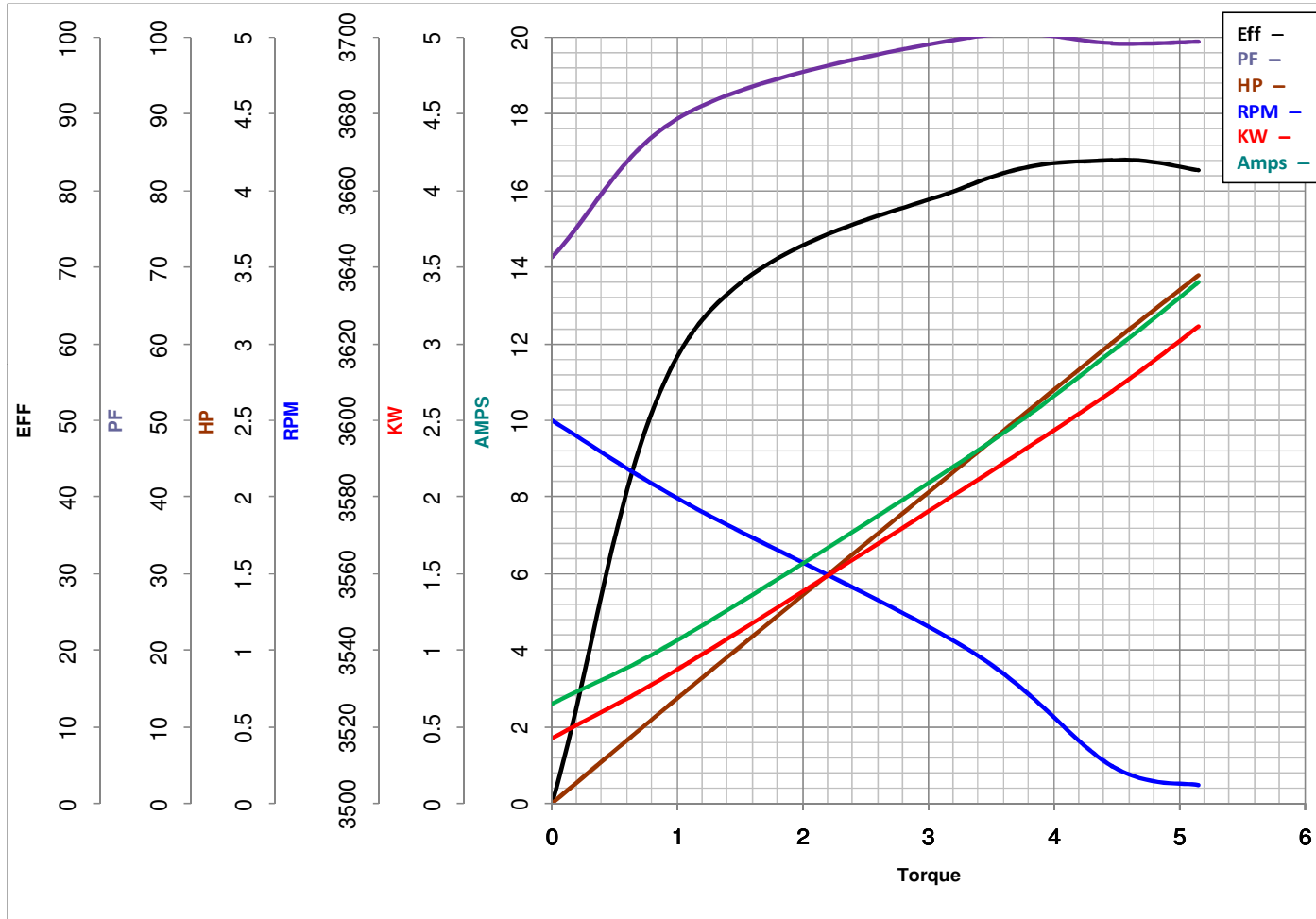
Model No 56B34F5328

VOLTS 208-230

Catalog No D316

HZ 60

RPM 3450



Torque in Lb.Ft

FL TORQUE 4.46 Lb.Ft
BD TORQUE 13.2 Lb.Ft
LR TORQUE 8.46 Lb.Ft

FL AMPS 13.1-11.8
PU TORQUE 6.8 Lb.Ft
LR AMPS 91

WINDING ZB202-4

Date 1/7/2019

EC Declaration of Conformity

The undersigned representing
the manufacturer:

Regal Beloit America
1946 West Cook Road
Fort Wayne, IN 46818

and the authorized representative
established within the Community:

Regal Beloit Italy
Via Modena, 18
24040 Ciserano(BG) - Italy

are committed to providing customers with products that comply with applicable regulations and international protocols to which they are subject, including the requirements of the European Parliament Directive on the Harmonization of the laws relating to electrical equipment designed for use within certain voltage limits (2014/35/EU).

Regal Beloit America declares that the following product(s), to which this declaration relates, are in conformity with the relevant sections of the EC standards listed below.

This statement supersedes any statements previously issued pertaining to the product(s) listed below and is subject to change without notice.

Model No : 056B34F5328

(Model No. may contain prefix and/or suffix characters)

Catalog No : D316

Rework No : N/A

Directives :

Low Voltage Directive 2014/35/EU

Harmonized Standards Used :

EN 60034-1: 2010 (IEC 60034-1: 2010)

EN 60034-5: 2001/A1:2007 (IEC 60034-5: 2000/A1:2006)

Authorized Representative:



Zach Stauffer
Vice President, Engineering

Authorized Representative in the Community:



Stefano Casiraghi
Technology Director, Engineering

Created on 07/08/2025

CE 25