

PRODUCT INFORMATION PACKET



Model No: 056C11G5306

Catalog No: G650

Explosion Proof Motor, 0.25 HP, 1 Ph, 60 Hz, 115/230 V, 1200 RPM, 56 Frame, EPFC

Operational at 115/208-230 V @60HZ



Regal and LEESON are trademarks of Regal Rexnord Corporation or one of its affiliated companies.
©2025 Regal Rexnord Corporation, All Rights Reserved. MC017097E





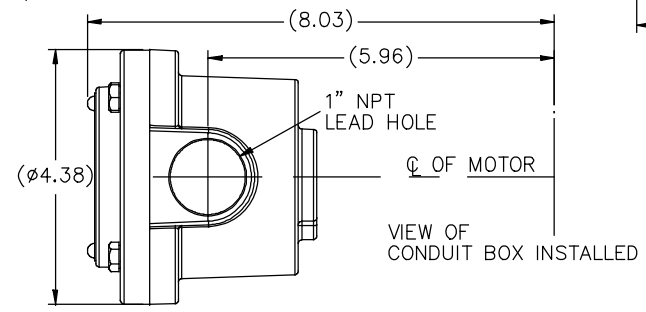
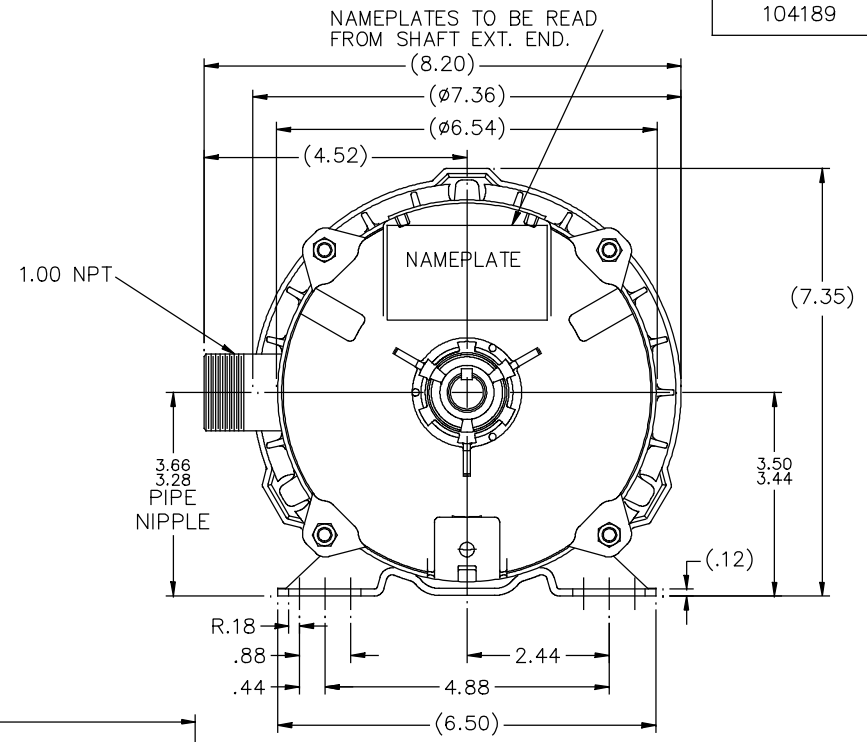
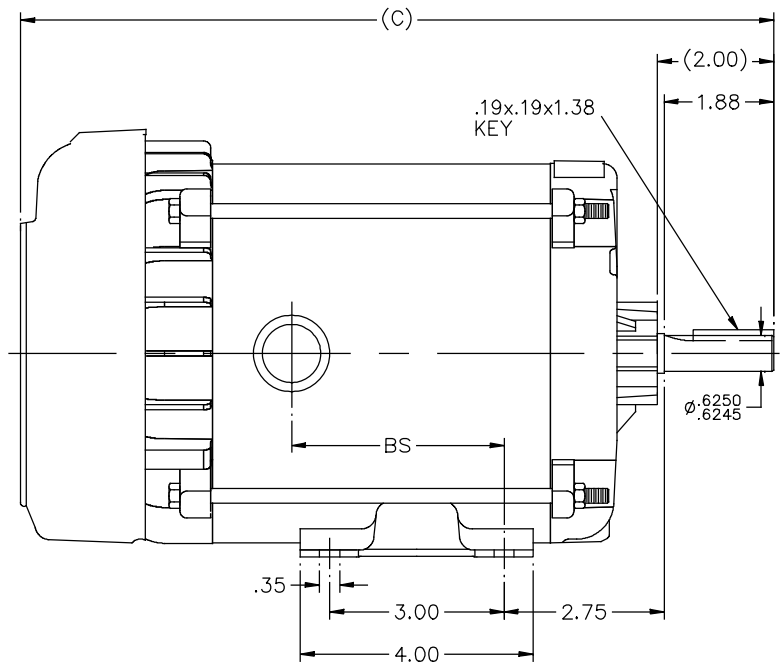
Nameplate Specifications

Phase	1	Output HP	0.25 Hp
Output KW	0.19 kW	Voltage	115/230 V
Speed	1140 rpm	Service Factor	1.00
Frame	56	Enclosure	Explosion Proof Fan cooled
Thermal Protection	Automatic	Efficiency	47.5 %
Ambient Temperature	40 °C	Frequency	60 Hz
Current	6.8/3.4 A	Power Factor	51.2
Duty	Continuous	Insulation Class	B
Design Code	NO DESIGN CODE	KVA Code	N
Drive End Bearing Size	6203	Opp Drive End Bearing Size	6203
UL	UL Listed And CSA Certified	CSA	Y
CE	N	IP Code	54
Number of Speeds	1	Hazardous Location	DIV 1 EXP PROOF CL I GR CD CL II GR FG T3B

Technical Specifications

Electrical Type	Capacitor Start Induction Run	Starting Method	Across The Line
Poles	6	Rotation	Selective Counterclockwise
Resistance Main	0 Ohms	Mounting	Rigid Base
Motor Orientation	Horizontal	Drive End Bearing	Ball
Opp Drive End Bearing	Ball	Frame Material	Rolled Steel
Shaft Type	NEMA 56	Overall Length	13.94 in
Frame Length	6.81 in	Shaft Diameter	0.625 in
Shaft Extension	2 in	Assembly/Box Mounting	F1 ONLY
Connection Drawing	102005-84	Outline Drawing	104189-681

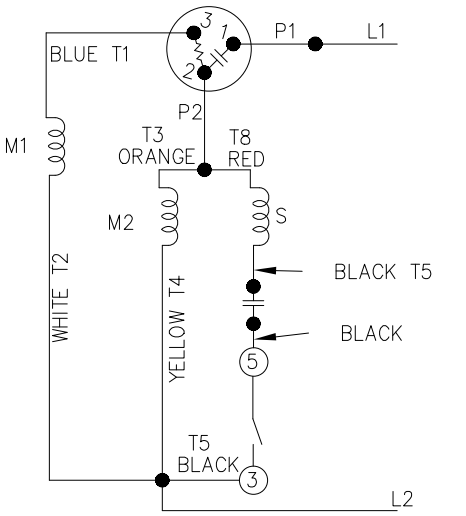
104189



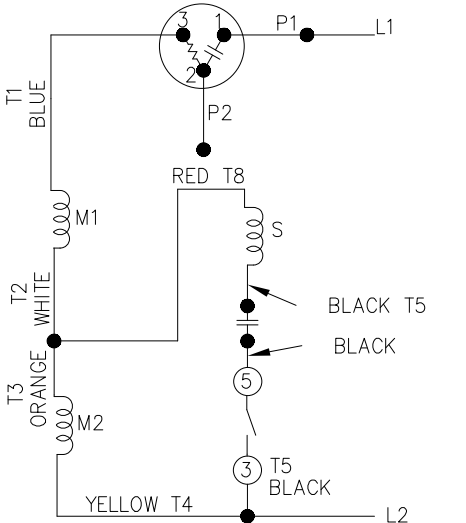
DASH	(C)	BS			
631	13.44	4.15			
681	13.94	4.65			
731	14.44	5.15			
781	14.94	5.65			
831	15.44	6.15			
881	15.94	6.65			
931	16.44	7.15			
981	16.94	7.65			

				TOLERANCES UNLESS SPECIFIED		REGAL™ Regal Beloit America, Inc.		DRAWN MH 11-20-1996	
				DEC.	INCHES			CHK	ML 12-02-1996
4	COND. BOX INSTALLED VIEW UPDATED PER ECR-0044571	UD	10/15/13	ST	.X	±.1		APPD	GK 12-02-1996
3	REVISED C'BOX PER CN40784A	JJB	02/23/2007	ML	.XX	±.03	TITLE OUTLINE	SCALE	1=2
2	ADDED CONDUIT BOX VIEW CN 26686	MRB	03-22-1998		.XXX	±.005	56 FR. - EXP. PR. - TEFC - 1Ø & 3Ø	REF	
1	NEW DRAWING CN 23099	MH	12-02-1996		.XXXX	±.0005	MAT'L	FMF	
NO.	REVISION	BY & DATE		CHK	ANG	±7'30"	FINISH	PREV	
THIS DRAWING IN DESIGN AND DETAIL IS OUR PROPERTY AND MUST NOT BE USED EXCEPT IN CONNECTION WITH OUR WORK. ALL RIGHTS OF DESIGN AND INVENTION ARE RESERVED. THIS IS AN ELECTRONICALLY GENERATED DOCUMENT - DO NOT SCALE THIS PRINT				RFP	CAD FILE 104189			SIZE	DRAWING NO. PAGE OF REV.
				DIST	WP			B	104189 4

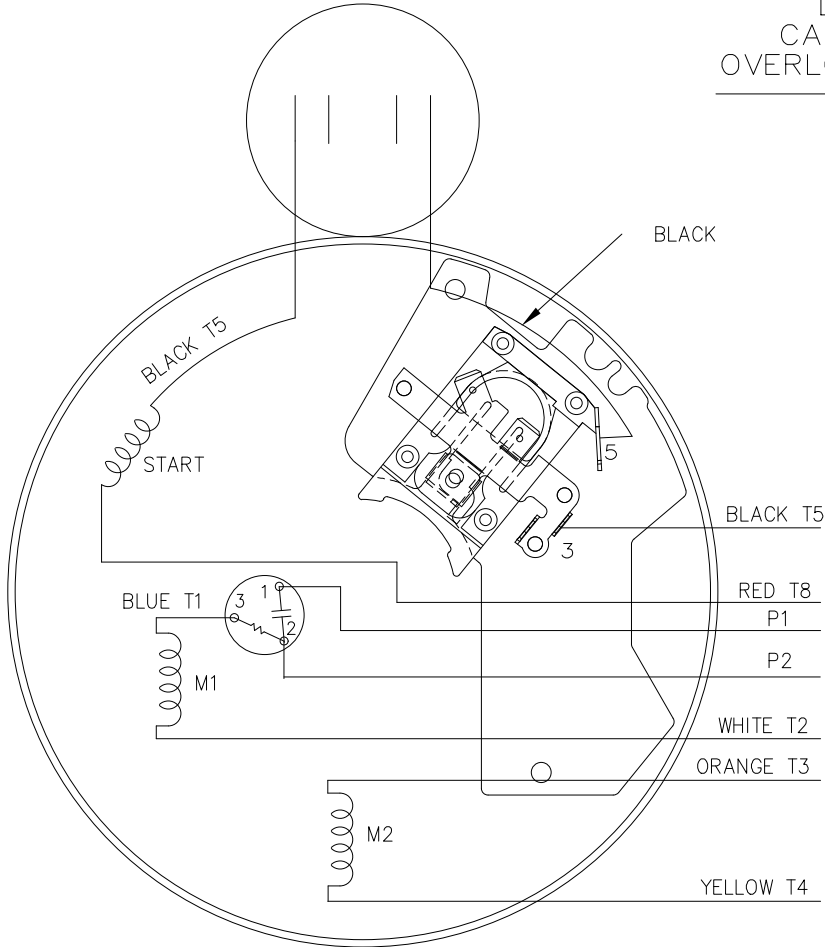
LOW VOLTAGE - C.C.W.



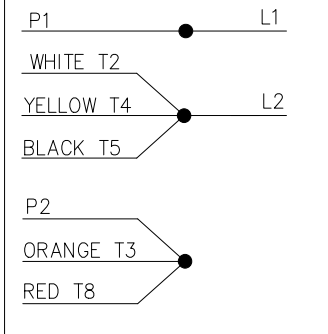
HIGH VOLTAGE - C.C.W.



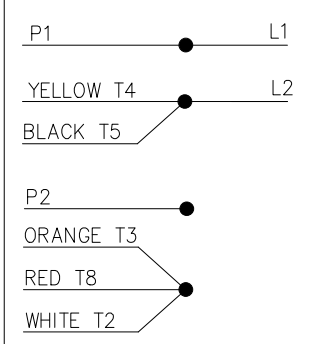
DUAL VOLTAGE
CAPACITOR START
OVERLOAD SELECT ROT.



LOW VOLT. - C.C.W. ROT.



HIGH VOLT. - C.C.W. ROT.



FOR C.W. ROTATION
EITHER VOLTAGE
INTERCHANGE RED(T8)
WITH BLACK(T5) LEAD

DRAWING REVISION A	REVISION BY KVDG	REV DATE/ DATE 05/28/2025
REQUEST NUMBER ECR-0243058	APPROVED BY DS	DATE 05/28/2025

REQUEST NUMBER DESCRIPTION
UPDATED THE DRG TO RRX TEMPLATE

COPYRIGHT (PER REVISION DATE) REGAL BELOIT AMERICA, INC. ALL RIGHTS RESERVED. PROPRIETARY AND CONFIDENTIAL INFORMATION - THIS DOCUMENT IS THE PROPERTY OF REGAL BELOIT AMERICA, INC. (OWNER) AND CONTAINS OWNER'S PROPRIETARY INFORMATION. ANY PERSON, CORPORATION OR OTHER FIRM RECEIVING IT IS DEEMED, BY RECEIVING IT, TO AGREE THAT IT, AND/OR ANY PART OF IT, SHALL NOT BE DISCLOSED TO ANY PERSON, CORPORATION OR OTHER ENTITY, DUPLICATED, AND/OR USED, EXCEPT AS EXPRESSLY APPROVED IN WRITING IN ADVANCE BY OWNER. THIS DOCUMENT SHALL BE RETURNED TO OWNER UPON REQUEST. IT MAY BE SUBJECT TO CERTAIN RESTRICTIONS UNDER APPLICABLE EXPORT CONTROL LAWS AND REGULATIONS.

TOLERANCES (EXCEPT AS NOTED):
DEC. INCH mm ANGLE
.X ±0.1 [±3] ±0.5°
.XX ±0.01 [±0.3]
.XXX ±0.005 [±0.13]
.XXXX ±0.0005 [±0.013]
REMOVE BURRS & BREAK SHARP
EDGES: .003/.015 [.08/.38] X 45
CORNER FILLETS: R.02 [.5]
MACHINED SURFACES: 125/ 3.2
INCH mm
mm DIMENSIONS IN [BRACKETS]
ARE FOR REFERENCE ONLY

DRAWN BY PVR
DATE 09/27/2012
APPROVED BY
DATE
REFERENCE 102005-84
THIRD ANGLE PROJECTION

Regal Beloit America, Inc.		DESCRIPTION CONNECTION DIAGRAM	
		MAT'L	PROCESS/FINISH
SIZE B	DRAWING NUMBER 102005-84A	SHEET 1 OF 1	



REGAL REXNORD CORPORATION
TYPICAL PERFORMANCE CURVE for AC MOTOR

Customer

Curve at

230 Volts
60 HZ
0.25 HP

HP 0.25

PHASE 1

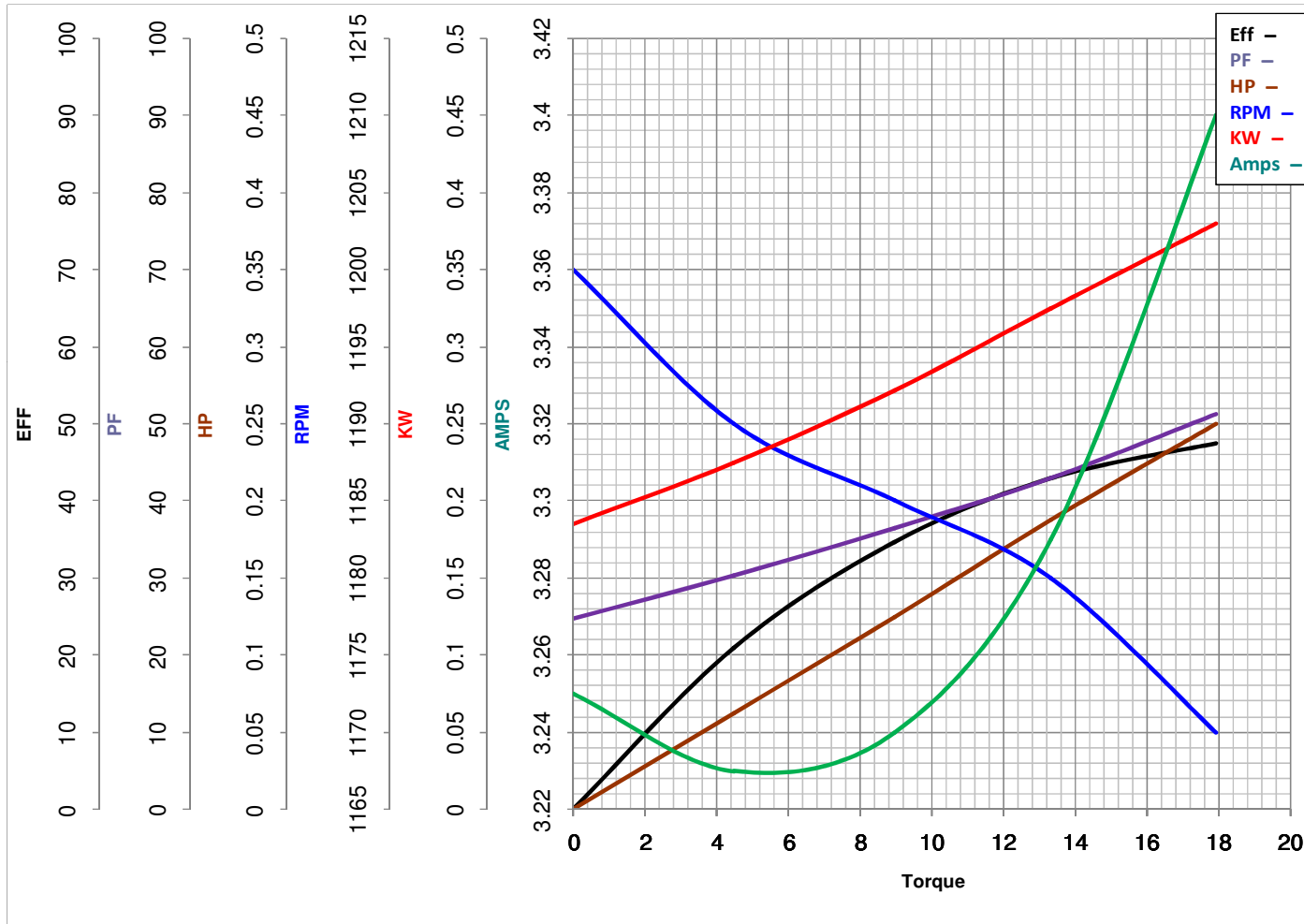
Model No 56C11G5306

VOLTS 115/208-230

Catalog No G650

HZ 60

RPM 1140



Torque in Oz.Ft

FL TORQUE 17.9 Oz.Ft
BD TORQUE 51.5 Oz.Ft
LR TORQUE 61.6 Oz.Ft

FL AMPS 6.8/3.1-3.4
PU TORQUE 42.2 Oz.Ft
LR AMPS 14

WINDING ZC604-3

Date 1/7/2019