

# PRODUCT INFORMATION PACKET



Model No: 056C17D2072

Catalog No: B317

General Purpose Motor, 0.50 HP, 1 Ph, 60 Hz, 115/208-230 V, 1800 RPM, 56 Frame, DP



Regal and LEESON are trademarks of Regal Rexnord Corporation or one of its affiliated companies.  
©2025 Regal Rexnord Corporation, All Rights Reserved. MC017097E



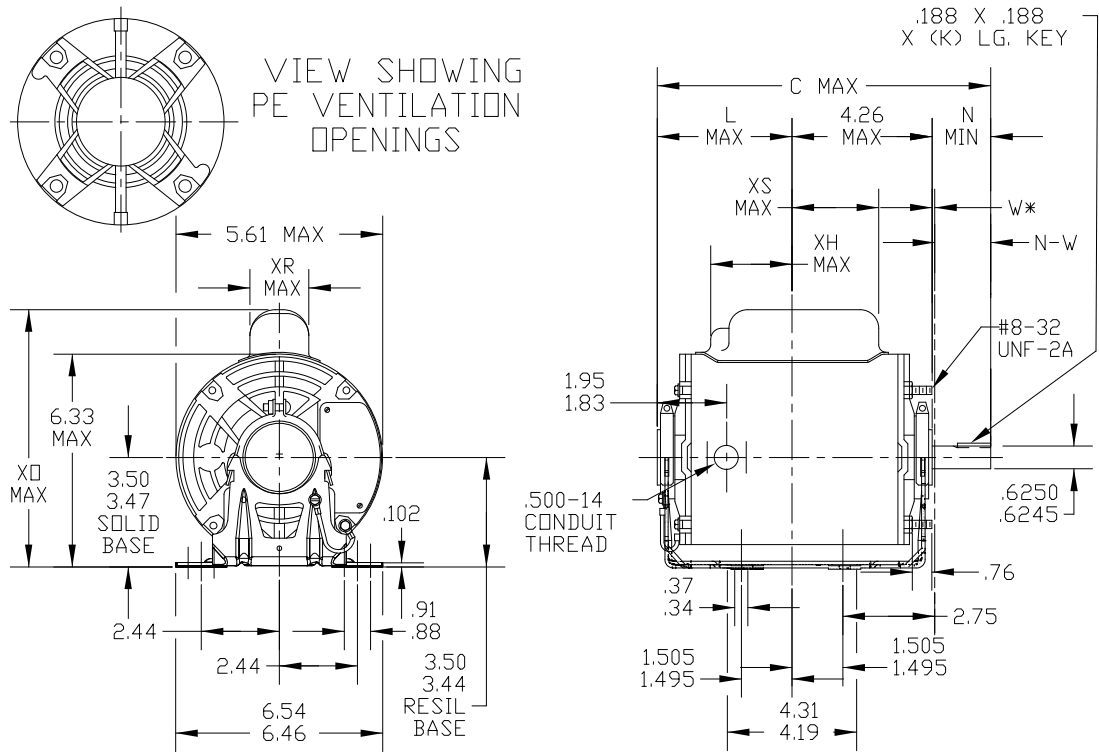


### Nameplate Specifications

Phase	1	Output HP	0.50 Hp
Output KW	0.37 kW	Voltage	115/208-230 V
Speed	1725 rpm	Service Factor	1.25
Frame	56	Enclosure	Drip Proof
Thermal Protection	Automatic	Efficiency	66.0 %
Ambient Temperature	40 °C	Frequency	60 Hz
Current	8.0/4.1-4.0 A	Power Factor	64
Duty	Continuous	Insulation Class	B
Design Code	NO DESIGN CODE	KVA Code	H
Drive End Bearing Size	6203	Opp Drive End Bearing Size	6203
UL	Recognized	CSA	Y
CE	N	IP Code	22
Number of Speeds	1		

### Technical Specifications

Electrical Type	Capacitor Start Induction Run	Starting Method	Across The Line
Poles	4	Rotation	Selective Counterclockwise
Resistance Main	0 Ohms	Mounting	Resilient Base - Extended Studs
Motor Orientation	Horizontal	Drive End Bearing	Ball
Opp Drive End Bearing	Ball	Frame Material	Rolled Steel
Shaft Type	T	Overall Length	10.32 in
Shaft Diameter	0.625 in	Shaft Extension	1.88 in
Assembly/Box Mounting	F1 ONLY		
Outline Drawing	52A111270P1	Connection Drawing	52A105383AA



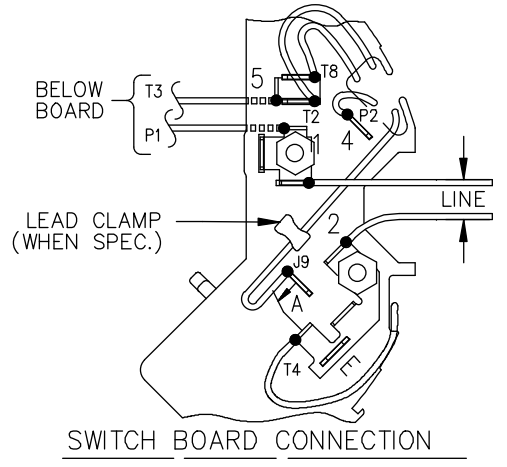
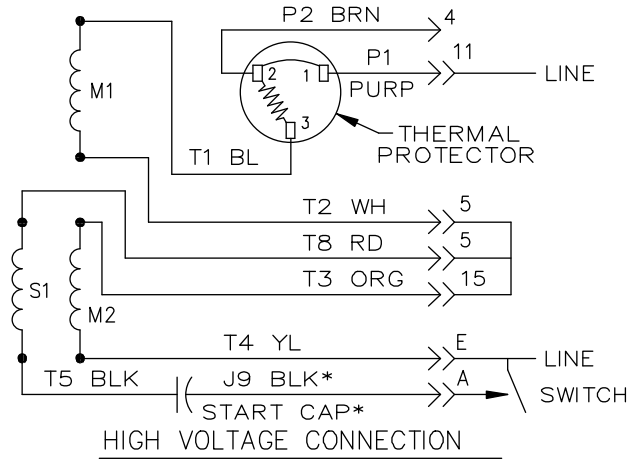
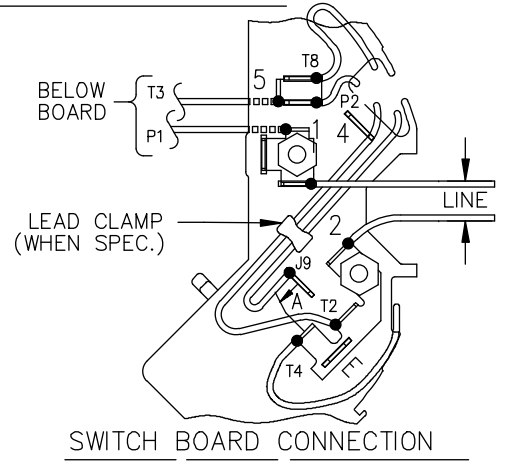
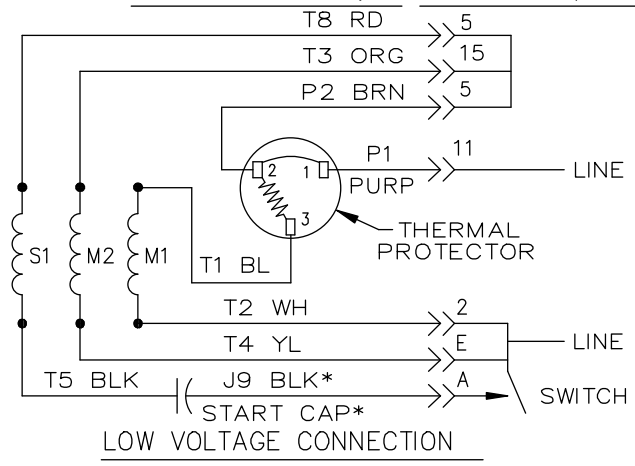
\*W IS A CLEARANCE DUE TO VARIATION IN PARTS & ASSEMBLY.

2	KC	37	56	10.72	1.38	4.63	1.88	2.01/1.79	3.07	7.85	1.60	2.70	6.62	
1	KC	36	56	10.32	1.38	4.23	1.88	2.01/1.79	3.10	8.20	2.10	2.64	6.22	
PT	TYPE	GE SIZE	NEMA FR	C	K	L	N	N-W	XH	XD	XR	XS	MIN. SHELL	

				TOLERANCES UNLESS SPECIFIED						DRAWN DEBRAJ 12/14/04					
				DEC. INCHES						CHK					
				.X ±.1						APPD DEBRAJ 12/14/04					
				.XX ±.03		TITLE OUTLINE				SCALE 1=4					
4 UPDATED BASE AS PER ECR-0224925				PS 09/29/2023		FORM N-GENERAL PURPOSE MOTOR-DRIP PROOF-SOLID OR RESIL BASE-BALL OR SLEEVE BEARING				REF					
3 CHG TO RBC FORMAT PER IS05-1777				04/28/06		MAT'L.				FMF					
NO. REVISION				BY & DATE		FINISH				PREV					
THIS DRAWING IN DESIGN AND DETAIL IS OUR PROPERTY AND MUST NOT BE USED EXCEPT IN CONNECTION WITH OUR WORK ALL RIGHTS OF DESIGN AND INVENTION ARE RESERVED THIS IS AN ELECTRONICALLY GENERATED DOCUMENT - DO NOT SCALE THIS PRINT				RFP		CAD FILE 52A111270				SIZE A		DRAWING NO. 52A111270		PAGE 4 OF 4	
				DIST										REV. 4	



EITHER ROTATION, DUAL VOLTAGE, TYPE KC OR KH, WITH THERMAL PROTECTION



NOTE #1 - START CAP & J9 WHEN SPECIFIED (\*). IF NO CAPACITOR (KH), CONNECT T5 DIRECTLY TO SWITCH (A). WHEN MORE THAN ONE CAPACITOR IS USED, CONNECT IN PARALLEL.

NOTE #2 - TO REVERSE ROTATION, INTER CHANGE RD(T8) AND BLK(J9-KC OR T5-KH) LEADS.

SWITCH REF. - 115D958AB	CONNECTION LABEL	CCW ROTATION: NP52X332051AA
		CW ROTATION: NP52X332051AC

NO.	REVISION	BY & DATE	CHK	TOLERANCES UNLESS SPECIFIED		FINISH	DRAWN	M.D.P	DATE			
				DEC.	INCHES							
				.X	±0.1				06/29/87			
				.XX	±0.02							
5	ADDED CONNECTION LABEL PER ECO-0030779	UD 02/06/13	PKG	.XXX	±0.005							
4	UPDATED PER ISO7-0150	MD 01/23/07		.XXXX	±0.0005	MAT'L.						
				ANG	±1.0							
THIS DRAWING IN DESIGN AND DETAIL IS OUR PROPERTY AND MUST NOT BE USED EXCEPT IN CONNECTION WITH OUR WORK. ALL RIGHTS OF DESIGN AND INVENTION ARE RESERVED. THIS IS AN ELECTRONICALLY GENERATED DOCUMENT - DO NOT SCALE THIS PRINT							RFP	CAD FILE	52A105383AA	SIZE	DRAWING NO.	REV.
							DIST			A	52A105383AA	5



TITLE CONNECTION DIAGRAM  
30 FRAME SWITCH REDESIGN