

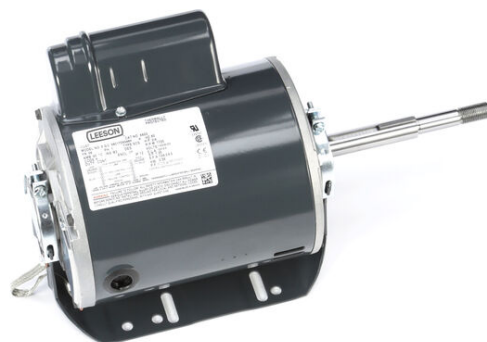
PRODUCT INFORMATION PACKET



Model No: 056C17D5346

Catalog No: X603

Other Purpose Motor, 0.75 HP, 1 Ph, 60 Hz, 115/208-230 V, 1800 RPM, 56 Frame, DP



Regal and LEESON are trademarks of Regal Rexnord Corporation or one of its affiliated companies.
©2025 Regal Rexnord Corporation, All Rights Reserved. MC017097E



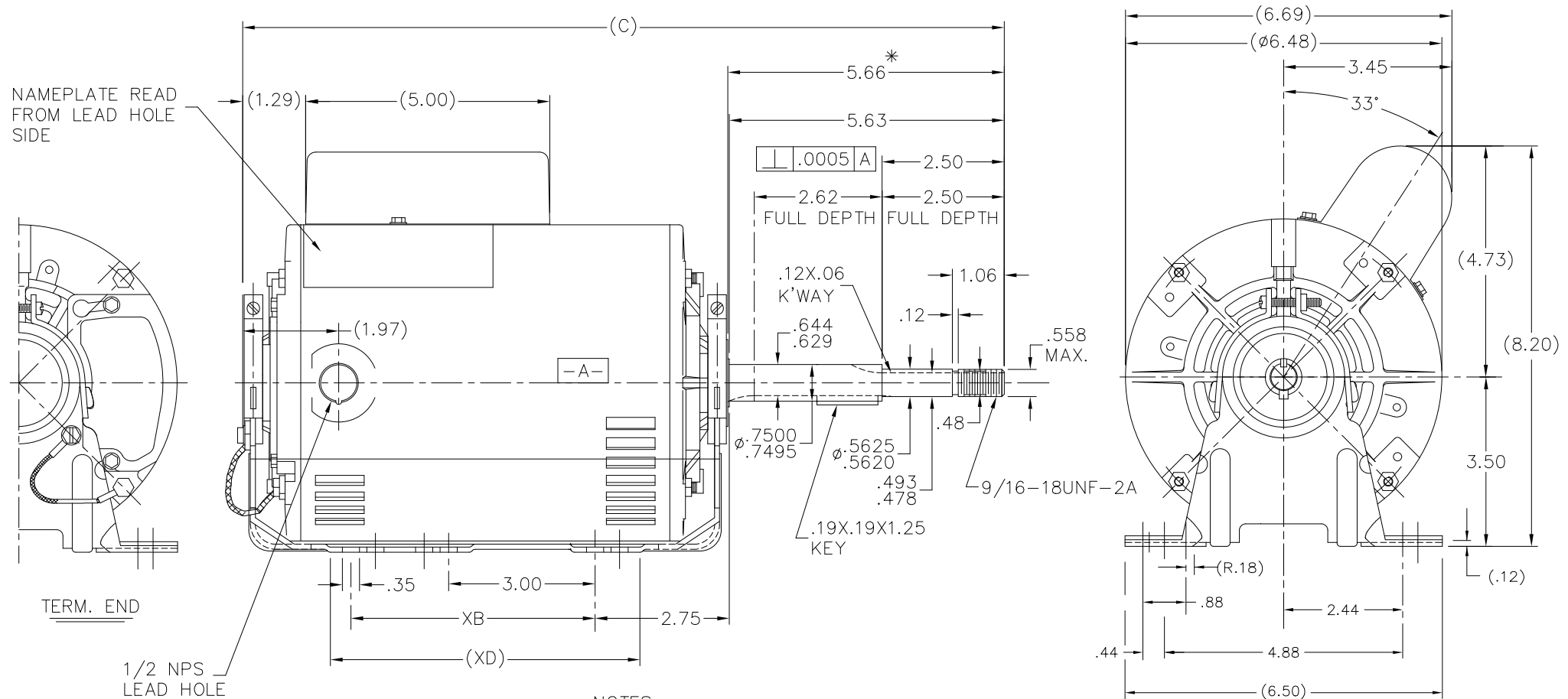


Nameplate Specifications

Phase	1	Output HP	0.75 Hp
Output KW	0.56 kW	Voltage	115/208-230 V
Speed	1725 rpm	Service Factor	1.25
Frame	56	Enclosure	Drip Proof
Thermal Protection	Automatic	Efficiency	66 %
Ambient Temperature	40 °C	Frequency	60 Hz
Current	12.0/5.8-6.0 A	Power Factor	65.7
Duty	Continuous	Insulation Class	B
Design Code	NO DESIGN CODE	KVA Code	K
Drive End Bearing Size	6205	Opp Drive End Bearing Size	6205
UL	Recognized	CSA	Y
CE	Y	IP Code	12
Number of Speeds	1		

Technical Specifications

Electrical Type	Capacitor Start Induction Run	Starting Method	Across The Line
Poles	4	Rotation	Fixed Counterclockwise
Resistance Main	0 Ohms	Mounting	Resilient Base
Motor Orientation	Horizontal	Drive End Bearing	Ball
Opp Drive End Bearing	Ball	Frame Material	Rolled Steel
Shaft Type	Single Special Extension	Overall Length	15.10 in
Frame Length	7.06 in	Shaft Diameter	0.625 in
Shaft Extension	5.66 in	Assembly/Box Mounting	F1 ONLY
Connection Drawing	102013-1	Outline Drawing	B-100233-706

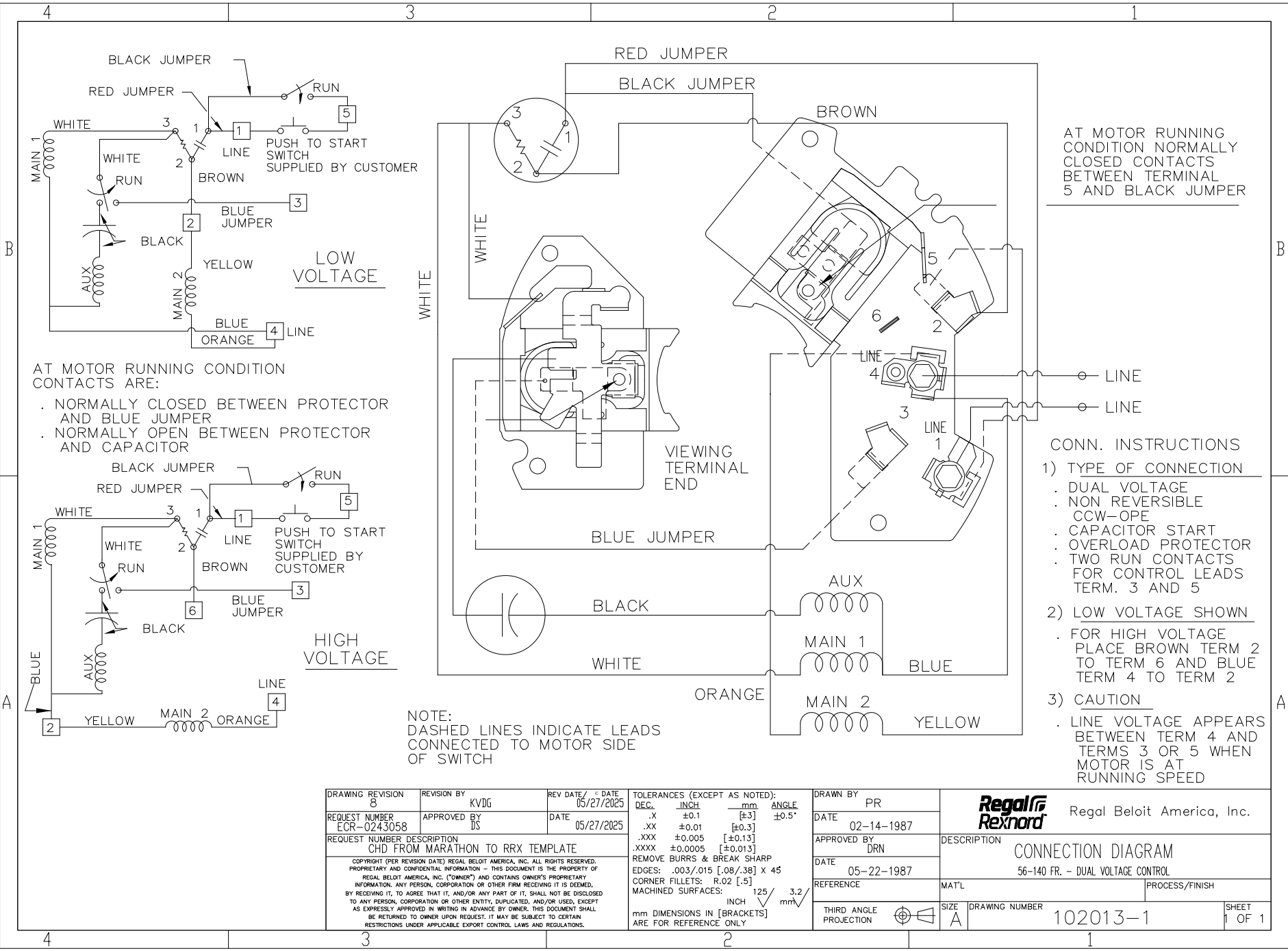


NOTES:
 1. MOTOR MUST BE ROTATED TO PROVIDE SOCKET CLEARANCE FOR GROUND SCREW, MAX. (20°).

* DIM. IS FROM RESIL. RING ENDCAP TO END OF SHAFT

10	BASE CHANGED AS PER ECR-0224925	PS	06/21/2023	SN	TOLERANCES UNLESS SPECIFIED	Regal Beloit America, Inc.	DRAWN	GK 09-28-1998			
9	UPDATED NOTES, FROM 10 DEG. TO 20 DEG.	SK	12/1/2022	MS	DEC. INCHES		CHK	ML 12-09-1991			
8	UPDATED DRAWING	RJW	3/28/2007		.X ±.1	APPD	JAY 12-09-1991				
7	REDRAWN IN AUTOCAD	TAT	06-13-2005	ML	.XX ±.03	TITLE	OUTLINE	SCALE	1=2		
6	UPDATED GROUND LEAD GEOMETRY CN 24830	DRS	10-11-1999		.XXX ±.005	REF					
5	ADDED NOTE CN 24378	PGK	06-06-1997		.XXXX ±.0005	MAT'L					
NO.	REVISION	BY & DATE	CHK	ANG	±7°30'	FINISH					
THIS DRAWING IN DESIGN AND DETAIL IS OUR PROPERTY AND MUST NOT BE USED EXCEPT IN CONNECTION WITH OUR WORK ALL RIGHTS OF DESIGN AND INVENTION ARE RESERVED THIS IS AN ELECTRONICALLY GENERATED DOCUMENT - DO NOT SCALE THIS PRINT				RFP	CAD FILE	100233	SIZE	DRAWING NO.	PAGE	OF	REV.
				DIST	WP		B	100233	10		

DASH	FR.	C	XB	XD
656	56-65	14.60	0	5.00
706	56-70	15.10	0	5.00
756	56-75	15.60	0	5.00



AT MOTOR RUNNING CONDITION CONTACTS ARE:

- NORMALLY CLOSED BETWEEN PROTECTOR AND BLUE JUMPER
- NORMALLY OPEN BETWEEN PROTECTOR AND CAPACITOR

NOTE:
DASHED LINES INDICATE LEADS
CONNECTED TO MOTOR SIDE
OF SWITCH

AT MOTOR RUNNING
CONDITION NORMALLY
CLOSED CONTACTS
BETWEEN TERMINAL
5 AND BLACK JUMPER

- CONN. INSTRUCTIONS
- 1) TYPE OF CONNECTION
 - DUAL VOLTAGE
 - NON REVERSIBLE
 - CCW-OPE
 - CAPACITOR START
 - OVERLOAD PROTECTOR
 - TWO RUN CONTACTS FOR CONTROL LEADS TERM. 3 AND 5
 - 2) LOW VOLTAGE SHOWN
 - FOR HIGH VOLTAGE PLACE BROWN TERM 2 TO TERM 6 AND BLUE TERM 4 TO TERM 2
 - 3) CAUTION
 - LINE VOLTAGE APPEARS BETWEEN TERM 4 AND TERMS 3 OR 5 WHEN MOTOR IS AT RUNNING SPEED

DRAWING REVISION 8	REVISION BY KVDG	REV DATE / ° DATE 05/27/2025	TOLERANCES (EXCEPT AS NOTED): DEC. .INCH .mm ANGLE	DRAWN BY PR	Regal Beloit America, Inc.
REQUEST NUMBER ECR-0243058	APPROVED BY DS	DATE 05/27/2025	.X ±0.1 [±.3] ±0.5° .XX ±0.01 [±0.3] .XXX ±0.005 [±0.13] .XXX ±0.0005 [±0.013] REMOVE BURRS & BREAK SHARP EDGES: .003/.015 [.08/.38] X 45 CORNER FILLETS: R.02 [-.5] MACHINED SURFACES: .125 INCH 3.2 mm mm DIMENSIONS IN [BRACKETS] ARE FOR REFERENCE ONLY	DATE 02-14-1987	
REQUEST NUMBER DESCRIPTION CHD FROM MARATHON TO RRX TEMPLATE				APPROVED BY DRN	DESCRIPTION CONNECTION DIAGRAM
COPYRIGHT (PER REVISION DATE) REGAL BELOIT AMERICA, INC. ALL RIGHTS RESERVED. PROPRIETARY AND CONFIDENTIAL INFORMATION - THIS DOCUMENT IS THE PROPERTY OF REGAL BELOIT AMERICA, INC. ("OWNER") AND CONTAINS OWNER'S PROPRIETARY INFORMATION. ANY PERSON, CORPORATION OR OTHER FIRM RECEIVING IT IS DEEMED, BY RECEIVING IT, TO AGREE THAT IT, AND/OR ANY PART OF IT, SHALL NOT BE DISCLOSED TO ANY PERSON, CORPORATION OR OTHER ENTITY, DUPLICATED, AND/OR USED, EXCEPT AS EXPRESSLY APPROVED IN WRITING IN ADVANCE BY OWNER. THIS DOCUMENT SHALL BE RETURNED TO OWNER UPON REQUEST. IT MAY BE SUBJECT TO CERTAIN RESTRICTIONS UNDER APPLICABLE EXPORT CONTROL LAWS AND REGULATIONS.				DATE 05-22-1987	56-140 FR. - DUAL VOLTAGE CONTROL
				REFERENCE	MAT'L
				THIRD ANGLE PROJECTION	SIZE A
				DRAWING NUMBER 102013-1	SHEET 1 OF 1



REGAL REXNORD CORPORATION
TYPICAL PERFORMANCE CURVE for AC MOTOR

Customer

Curve at

230

Volts

HP 0.76

PHASE 1

Model No 56C17D5346

60

HZ

VOLTS 115/208-230

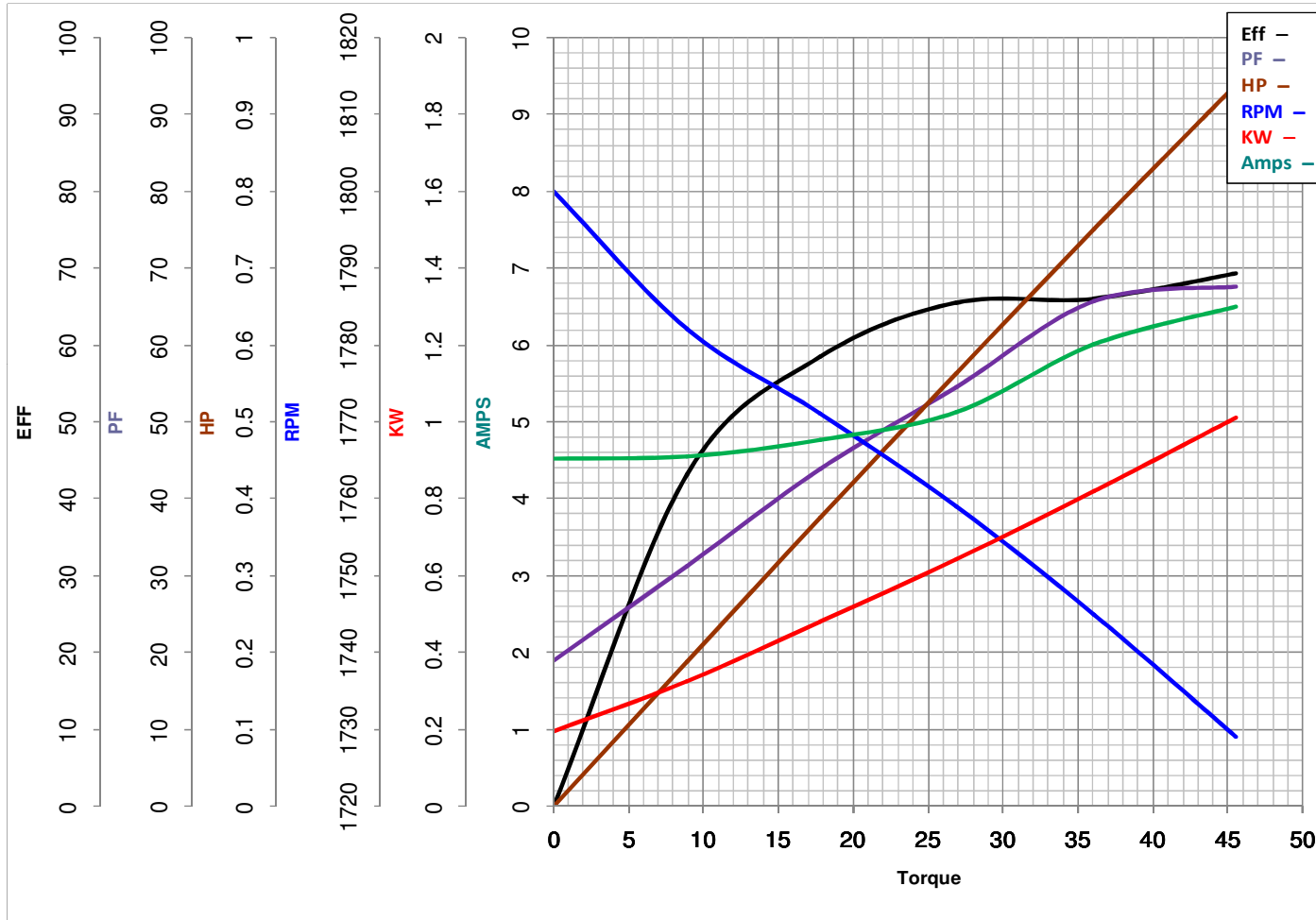
0.75

HP

Catalog No X603

HZ 60

RPM 1725



Torque in Oz.Ft

FL TORQUE 36.1 Oz.Ft
BD TORQUE 94.9 Oz.Ft
LR TORQUE 123 Oz.Ft

FL AMPS 12/5.8-6
PU TORQUE 70.3 Oz.Ft
LR AMPS 29.3

WINDING ZC405-3

Date 1/8/2019

EC Declaration of Conformity

The undersigned representing
the manufacturer:

Regal Beloit America
1946 West Cook Road
Fort Wayne, IN 46818

and the authorized representative
established within the Community:

Regal Beloit Italy
Via Modena, 18
24040 Ciserano(BG) - Italy

are committed to providing customers with products that comply with applicable regulations and international protocols to which they are subject, including the requirements of the European Parliament Directive on the Harmonization of the laws relating to electrical equipment designed for use within certain voltage limits (2014/35/EU).

Regal Beloit America declares that the following product(s), to which this declaration relates, are in conformity with the relevant sections of the EC standards listed below.

This statement supersedes any statements previously issued pertaining to the product(s) listed below and is subject to change without notice.

Model No : 056C17D5346

(Model No. may contain prefix and/or suffix characters)

Catalog No : X603

Rework No : N/A

Directives :

Low Voltage Directive 2014/35/EU

Harmonized Standards Used :

EN 60034-1: 2010 (IEC 60034-1: 2010)

EN 60034-5: 2001/A1:2007 (IEC 60034-5: 2000/A1:2006)

Authorized Representative:



Zach Stauffer
Vice President, Engineering

Authorized Representative in the Community:



Stefano Casiraghi
Technology Director, Engineering

Created on 07/08/2025

CE 25