

# PRODUCT INFORMATION PACKET



Model No: 056C17F5327

Catalog No: F104

General Purpose Farm Duty Motor, 1 HP, 1 Ph, 60 Hz, 115/208-230 V, 1800 RPM, 56 Frame, TEFC



Regal and LEESON are trademarks of Regal Rexnord Corporation or one of its affiliated companies.  
©2025 Regal Rexnord Corporation, All Rights Reserved. MC017097E



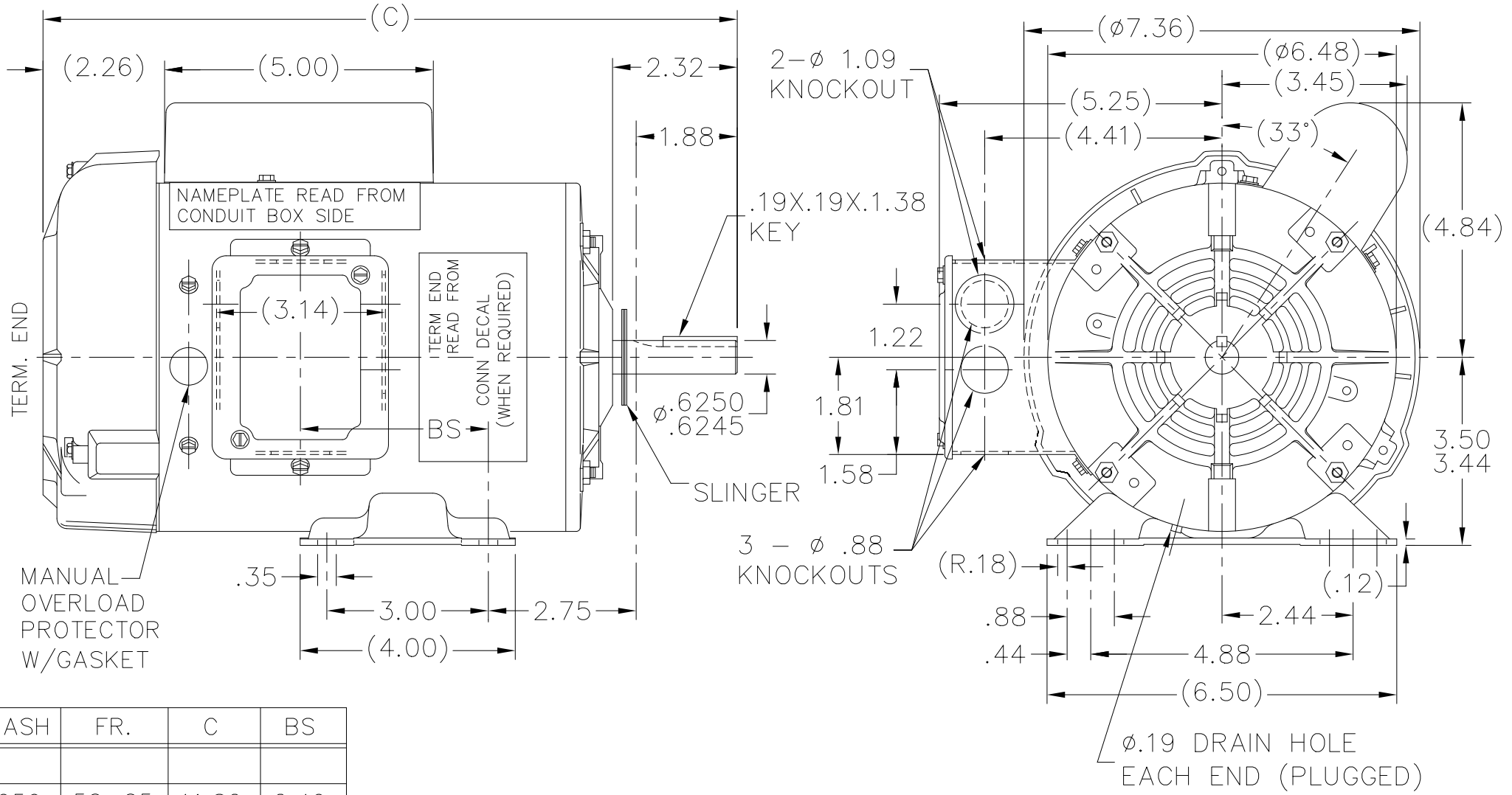


### Nameplate Specifications

Phase	1	Output HP	1 Hp
Output KW	0.75 kW	Voltage	115/208-230 V
Speed	1725 rpm	Service Factor	1.15
Frame	56	Enclosure	Totally Enclosed Fan Cooled
Thermal Protection	Manual	Efficiency	72 %
Ambient Temperature	40 °C	Frequency	60 Hz
Current	13.4/6.8-6.7 A	Power Factor	69.5
Duty	Continuous	Insulation Class	B
Design Code	L	KVA Code	J
Drive End Bearing Size	6203	Opp Drive End Bearing Size	6203
UL	Recognized	CSA	Y
CE	N	IP Code	43
Number of Speeds	1		

### Technical Specifications

Electrical Type	Capacitor Start Induction Run	Starting Method	Across The Line
Poles	4	Rotation	Selective Counterclockwise
Resistance Main	0 Ohms	Mounting	Rigid Base
Motor Orientation	Horizontal	Drive End Bearing	Ball
Opp Drive End Bearing	Ball	Frame Material	Rolled Steel
Shaft Type	T	Overall Length	12.82 in
Frame Length	7.56 in	Shaft Diameter	0.625 in
Shaft Extension	2.32 in	Assembly/Box Mounting	F1 ONLY
Outline Drawing	A-100137-756	Connection Drawing	A-102005-52



DASH	FR.	C	BS
656	56-65	11.82	2.40
706	56-70	12.32	2.90
756	56-75	12.82	3.40

DRAWING REVISION 5	REVISION BY SN	REV DATE/ © DATE 01/21/2022
REQUEST NUMBER NMR-0212466	APPROVED BY SN	DATE 01/21/2022
REQUEST NUMBER DESCRIPTION NEW TEMPLET CHANGED		
<p>COPYRIGHT (PER REVISION DATE) REGAL BELOIT AMERICA, INC. ALL RIGHTS RESERVED. PROPRIETARY AND CONFIDENTIAL INFORMATION - THIS DOCUMENT IS THE PROPERTY OF REGAL BELOIT AMERICA, INC. (OWNER) AND CONTAINS OWNER'S PROPRIETARY INFORMATION. ANY PERSON, CORPORATION OR OTHER FIRM RECEIVING IT IS DEEMED, BY RECEIVING IT, TO AGREE THAT IT, AND/OR ANY PART OF IT, SHALL NOT BE DISCLOSED TO ANY PERSON, CORPORATION OR OTHER ENTITY, DUPLICATED, AND/OR USED, EXCEPT AS EXPRESSLY APPROVED IN WRITING IN ADVANCE BY OWNER. THIS DOCUMENT SHALL BE RETURNED TO OWNER UPON REQUEST. IT MAY BE SUBJECT TO CERTAIN RESTRICTIONS UNDER APPLICABLE EXPORT CONTROL LAWS AND REGULATIONS.</p>		

TOLERANCES (EXCEPT AS NOTED):		
DEC.	INCH	mm
.X	± 0.1	[± 3]
.XX	± 0.01	[± 0.3]
.XXX	± 0.005	[± 0.13]
.XXXX	± 0.0005	[± 0.013]
REMOVE BURRS & BREAK SHARP EDGES: .003/.015 [.08/.38] X 45°		
CORNER FILLETS: R.02 [.5]		
MACHINED SURFACES:		
	INCH	mm
	125	3.2
mm DIMENSIONS IN [BRACKETS] ARE FOR REFERENCE ONLY		

DRAWN BY ML
DATE 01-11-1992
APPROVED BY GK
DATE 01-11-1992
REFERENCE
THIRD ANGLE PROJECTION

**Regal Rexnord** Regal Beloit America, Inc.

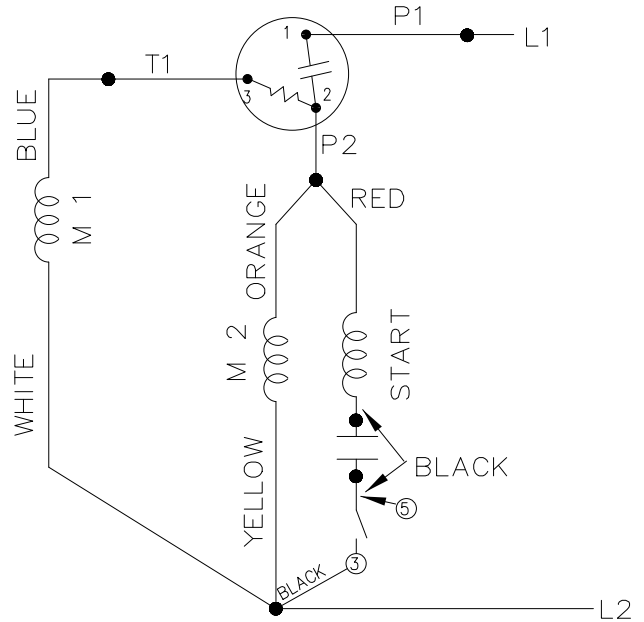
DESCRIPTION: OUTLINE 56 FRAME - BB - TEFC

MATERIAL: \_\_\_\_\_ PROCESS/FINISH: \_\_\_\_\_

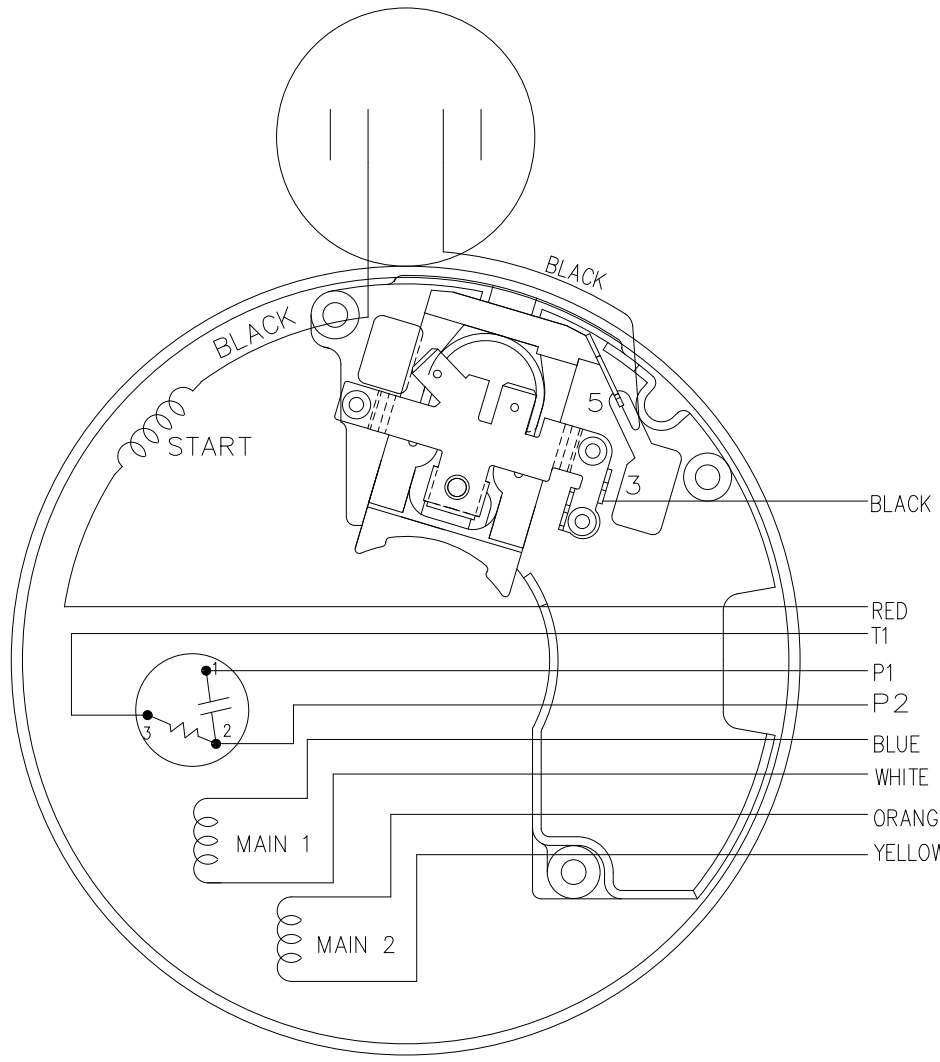
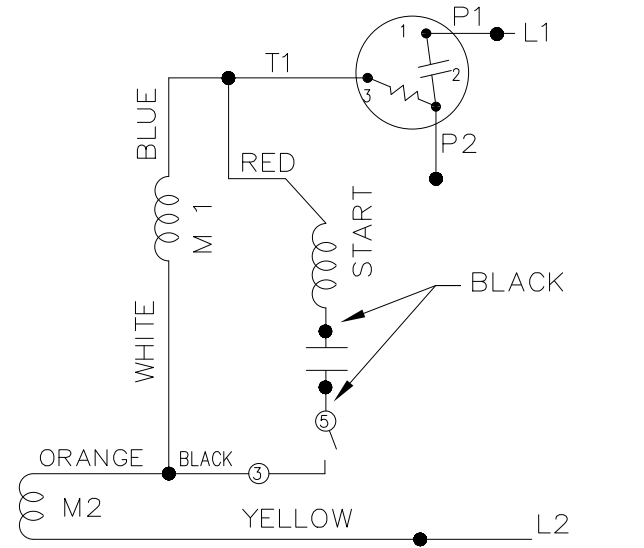
SIZE 5 DRAWING NUMBER 100137 SHEET 1 OF 1

3 of 6

LOW VOLTAGE - CCW

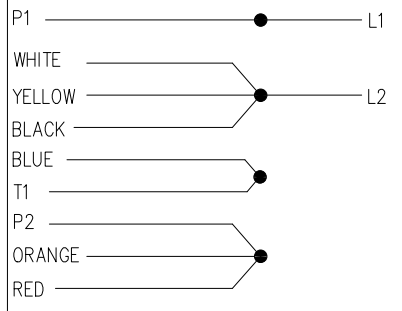


HIGH VOLTAGE - CCW

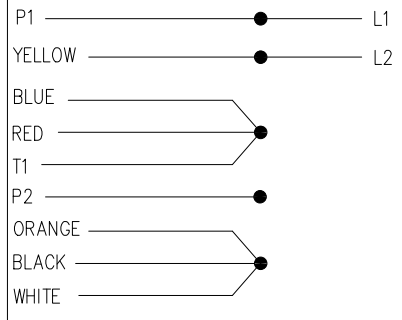


DUAL VOLTAGE  
CAPACITOR START  
OVERLOAD  
SELECT ROTATION

LOW VOLT. CCW ROT.



HIGH VOLT. CCW ROT.



FOR CW ROTATION  
EITHER VOLTAGE  
INTERCHANGE RED  
WITH BLACK

NO.	REVISION	BY & DATE	CHK	TOLERANCES UNLESS SPECIFIED		REGAL™ Regal Beloit America, Inc.	DRAWN BRH 02-29-1996				
				DEC.	INCHES						
				.X	±.1		CHK ML 03-06-1996				
7	UPDATED LOGO NMR-0212341	KB 01/12/2022	PVR	.XX	±.02	TITLE CONNECTION DIAGRAM	APPD GK 03-06-1996				
6	REISSUE	BRH 03-13-1996		.XXX	±.005		SCALE 5=8				
5	REDRAWN ON CADD	BRH 03-06-1996		.XXXX	±.0005	MAT'L.	REF				
				ANG	±7'30"	FINISH	FMF				
THIS DRAWING IN DESIGN AND DETAIL IS OUR PROPERTY AND MUST NOT BE USED EXCEPT IN CONNECTION WITH OUR WORK ALL RIGHTS OF DESIGN AND INVENTION ARE RESERVED THIS IS AN ELECTRONICALLY GENERATED DOCUMENT - DO NOT SCALE THIS PRINT						RFP	CAD FILE 102005-52	SIZE A	DRAWING NO. 102005-52	PAGE OF	REV. 7
						DIST WP					

**CERTIFICATION DATA SHEET**

**Model#:** 56C17F5327 H  
**CONN. DIAGRAM:** A-102005-52  
**OUTLINE:** A-100137-756

**WINDING#:** ZC407 NONE 3  
**ASSEMBLY:** F1 ONLY

**TYPICAL MOTOR PERFORMANCE DATA**

HP	KW	SYNC. RPM	F.L. RPM	FRAME	ENCLOSURE	KVA CODE	DESIGN
1	.75	1800	1725	56	TEFC	J	L

PH	Hz	VOLTS	FL AMPS	START TYPE	DUTY	INSL	S.F	AMB°C	ELEVATION
1	60	115/208-230	13.4/6.8-6.7	ACROSS THE LINE	CONTINUOUS	B3	1.15	40	3300

FULL LOAD EFF: 72	3/4 LOAD EFF: 70	1/2 LOAD EFF: 64.3	GTD. EFF	ELEC. TYPE	NO LOAD AMPS
FULL LOAD PF: 69.5	3/4 LOAD PF: 60.5	1/2 LOAD PF: 49	0	CAP START IND RUN	8.8 / 4.4

F.L. TORQUE	LOCKED ROTOR AMPS	L.R. TORQUE	B.D. TORQUE	F.L. RISE°C
48.3 LB-FT	69.4 / 34.7	145 LB-FT 0	122 LB-FT 0	-

SOUND PRESSURE @ 3 FT.	SOUND POWER	ROTOR WK^2	MAX. WK^2	SAFE STALL TIME	STARTS / HOUR	APPROX. MOTOR WGT
0 dBA	10 dBA	0 LB-FT^2	0 LB-FT^2	0 SEC.	0	0 LBS.

**\*\*\* SUPPLEMENTAL INFORMATION \*\*\***

DE BRACKET TYPE	ODE BRACKET TYPE	MOUNT TYPE	ORIENTATION	SEVERE DUTY	HAZARDOUS LOCATION	DRIP COVER	SCREENS	PAINT
STANDARD	BRAKE	RIGID	HORIZONTAL	FALSE	NONE	FALSE	NONE	GRAY (POWDER)

BEARINGS		GREASE	SHAFT TYPE	SPECIAL DE	SPECIAL ODE	SHAFT MATERIAL	FRAME MATERIAL
DE	OPE						
BALL	BALL	POLYREX EM	T	NONE	NONE	1144 STRESSPROOF (C-223)	ROLLED STEEL
6203	6203						

THERMO-PROTECTORS				THERMISTORS	CONTROL	SPACE /n HEATERS
THERMOSTATS	PROTECTORS	WDG RTDs	BRG RTDs			
NONE	MANUAL	NONE	NONE	NONE	FALSE	NONE VOLTS

If Inverter equals NONE, contact factory for further information

\*  
N  
O  
T  
E  
S  
\*

INVERTER TORQUE: NONE
INV. HP SPEED RANGE: NONE
ENCODER: NONE
NONE NONE
NONE NONE PPR
BRAKE: PROVISIONS FOR KIT NONE
NONE P/N NONE
NONE NONE
NONE FT-LB NONE V NONE Hz

DATE: 06/27/2017 07:06:20 AM  
 FORM 3531 REV.3 02/07/99  
 \*\* Subject to change without notice.



**REGAL REXNORD CORPORATION**  
TYPICAL PERFORMANCE CURVE for AC MOTOR

Customer

Curve at

230 Volts  
60 HZ  
1 HP

HP 1.00

PHASE 1

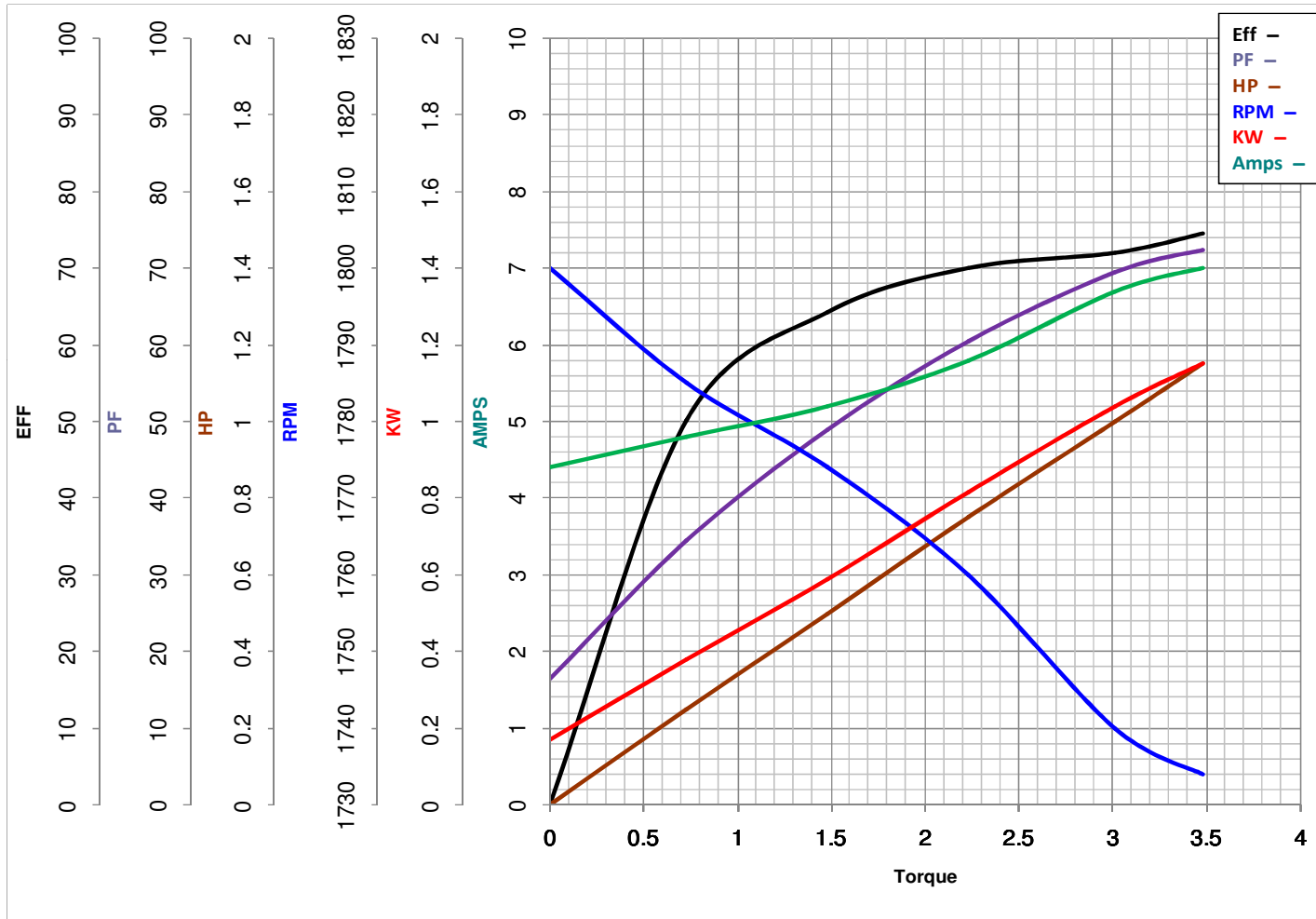
Model No 56C17F5327

VOLTS 115/208-230

Catalog No F104

HZ 60

RPM 1725



Torque in LB-FT

FL TORQUE 3.018 LB-FT  
BD TORQUE 7.6 LB-FT  
LR TORQUE 8.9 LB-FT

FL AMPS 13.4/6.8-6.7  
PU TORQUE 6.3 LB-FT  
LR AMPS 34.7

WINDING ZC407-3

Date 1/9/2019