

# PRODUCT INFORMATION PACKET



Model No: 056C17F5358

Catalog No: F131

General Purpose Farm Duty Motor, 0.33 HP, 1 Ph, 60 Hz, 115/208-230 V, 1800 RPM, 56C Frame, TEFC



Regal and LEESON are trademarks of Regal Rexnord Corporation or one of its affiliated companies.  
©2025 Regal Rexnord Corporation, All Rights Reserved. MC017097E



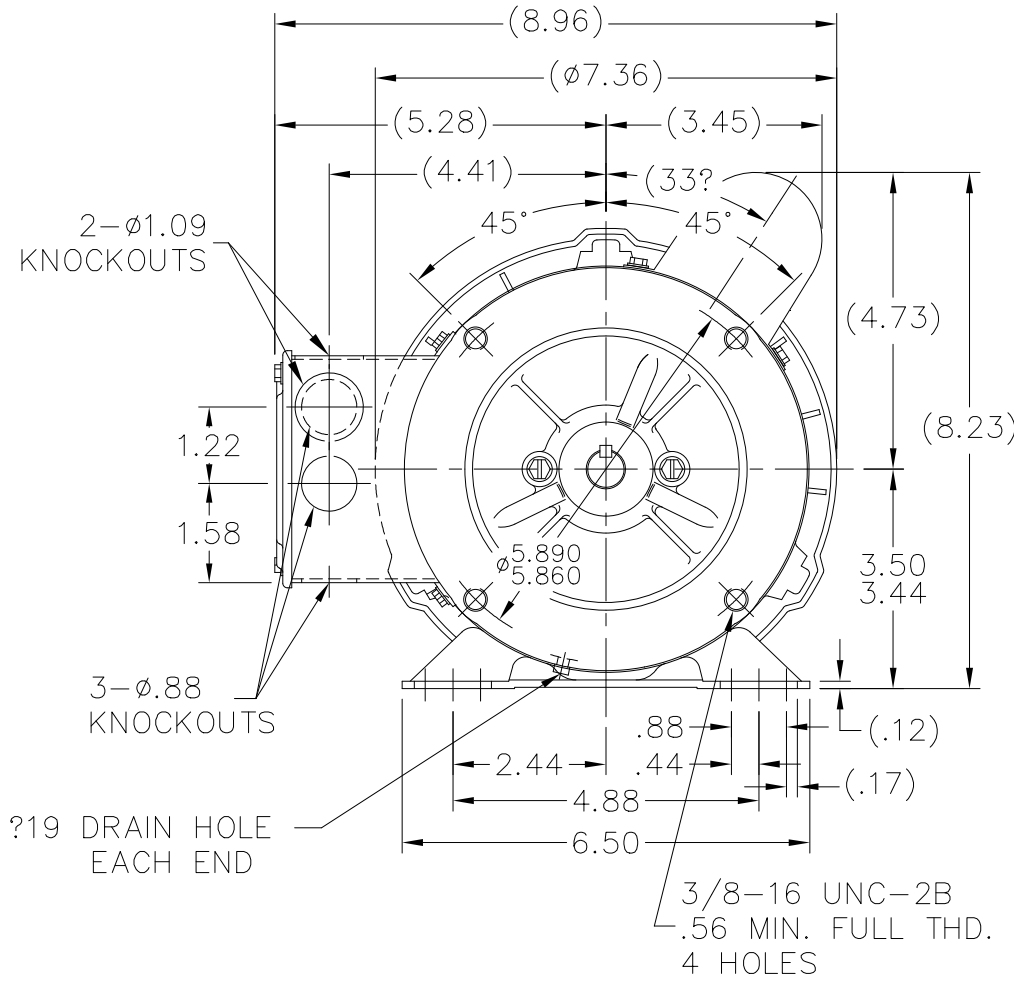
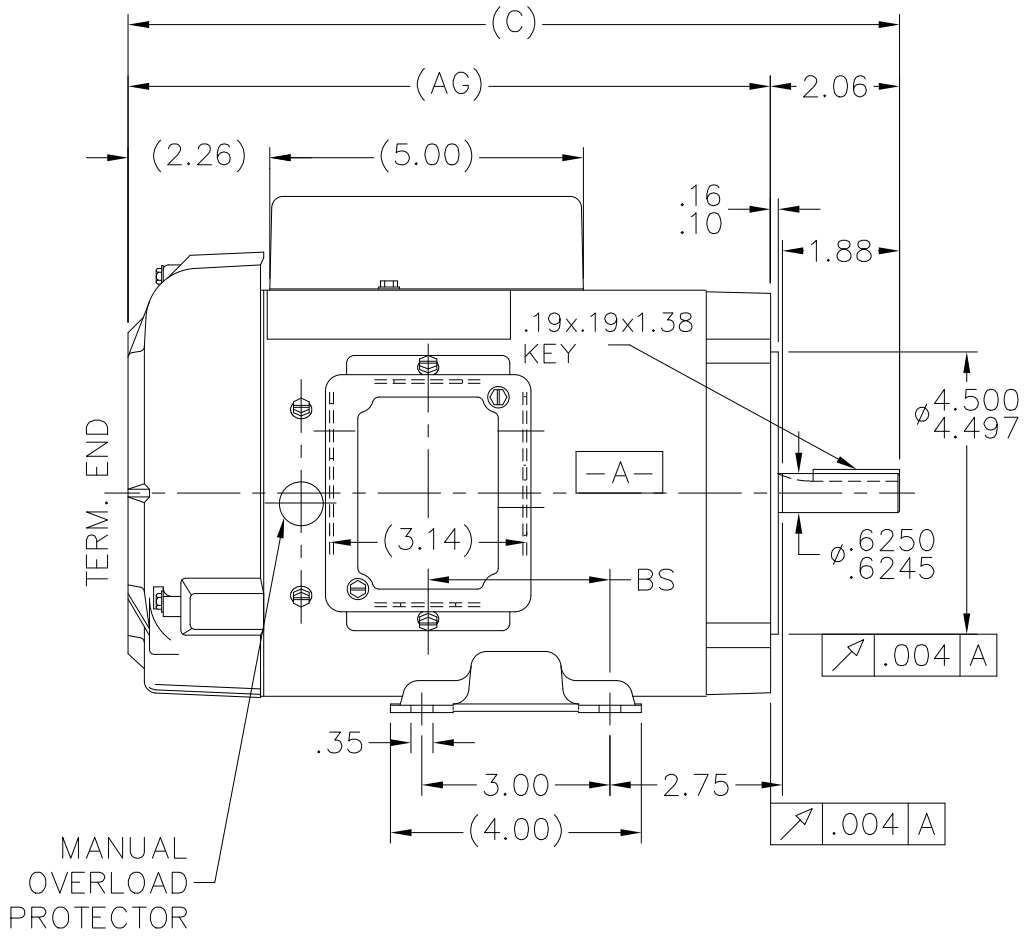


### Nameplate Specifications

Phase	1	Output HP	0.33 Hp
Output KW	0.25 kW	Voltage	115/208-230 V
Speed	1725 rpm	Service Factor	1.15
Frame	56C	Enclosure	Totally Enclosed Fan Cooled
Thermal Protection	Manual	Efficiency	55 %
Ambient Temperature	40 °C	Frequency	60 Hz
Current	6.6/3.1-3.3 A	Power Factor	60
Duty	Continuous	Insulation Class	B
Design Code	N	KVA Code	N
Drive End Bearing Size	6203	Opp Drive End Bearing Size	6203
UL	Recognized	CSA	Y
CE	Y	IP Code	43
Number of Speeds	1		

### Technical Specifications

Electrical Type	Capacitor Start Induction Run	Starting Method	Across The Line
Poles	4	Rotation	Selective Counterclockwise
Resistance Main	0 Ohms	Mounting	Rigid Base
Motor Orientation	Horizontal	Drive End Bearing	Ball
Opp Drive End Bearing	Ball	Frame Material	Rolled Steel
Shaft Type	NEMA 56	Overall Length	11.82 in
Frame Length	6.56 in	Shaft Diameter	0.625 in
Shaft Extension	2.06 in	Assembly/Box Mounting	F1 ONLY
Outline Drawing	A-104462-656	Connection Drawing	102005-52



?19 DRAIN HOLE EACH END

DASH	FRAME	C	AG	BS
656	56-65	11.82	9.75	2.40
706	56-70	12.32	10.25	2.90
756	56-75	12.82	10.75	3.40

NOTES:  
 1. CONDUIT BOX CAN BE ROTATED 180°.  
 2. NAMEPLATE READ FROM CONDUIT BOX SIDE.

NO.	REVISION	BY & DATE	CHK	ANG	±7'30"
5	CHG FROM MARATHON TO REGAL REXNORD LOGO	KVDG 05-15-2024	DS	DEC.	INCHES
4	REMOVED "PLUGGED" FROM DRAIN HOLE ISAAC 12-0555	WGJ 02-21-2012	DD	.X	±.1
3	REVISED DRAWING	RJW 04-03-2007		.XX	±.03
2	REDRAWN IN AUTOCAD	TAT 06-13-2005	ML	.XXX	±.005
1	NEW DRAWING MU20295	MRB 07-06-1998		.XXXX	±.0005

TOLERANCES UNLESS SPECIFIED	DEC.	INCHES
	.X	±.1
	.XX	±.03
	.XXX	±.005
	.XXXX	±.0005
	ANG	±7'30"

**Regal Rexnord** Regal Beloit America, Inc.  
 TITLE OUTLINE  
 56 FR. - TEFC - C' FACE  
 MAT'L.  
 FINISH

DRAWN MRB 06-23-1998
CHK ML 07-06-1998
APPD JMB 07-06-1998
SCALE 5=16
REF
FMF
PREV

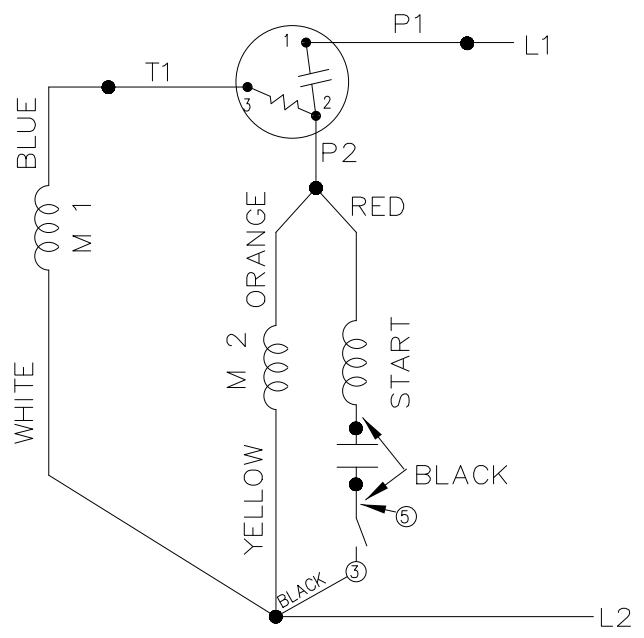
THIS DRAWING IN DESIGN AND DETAIL IS OUR PROPERTY AND MUST NOT BE USED EXCEPT IN CONNECTION WITH OUR WORK ALL RIGHTS OF DESIGN AND INVENTION ARE RESERVED THIS IS AN ELECTRONICALLY GENERATED DOCUMENT - DO NOT SCALE THIS PRINT

RFP	DIST	WP
-----	------	----

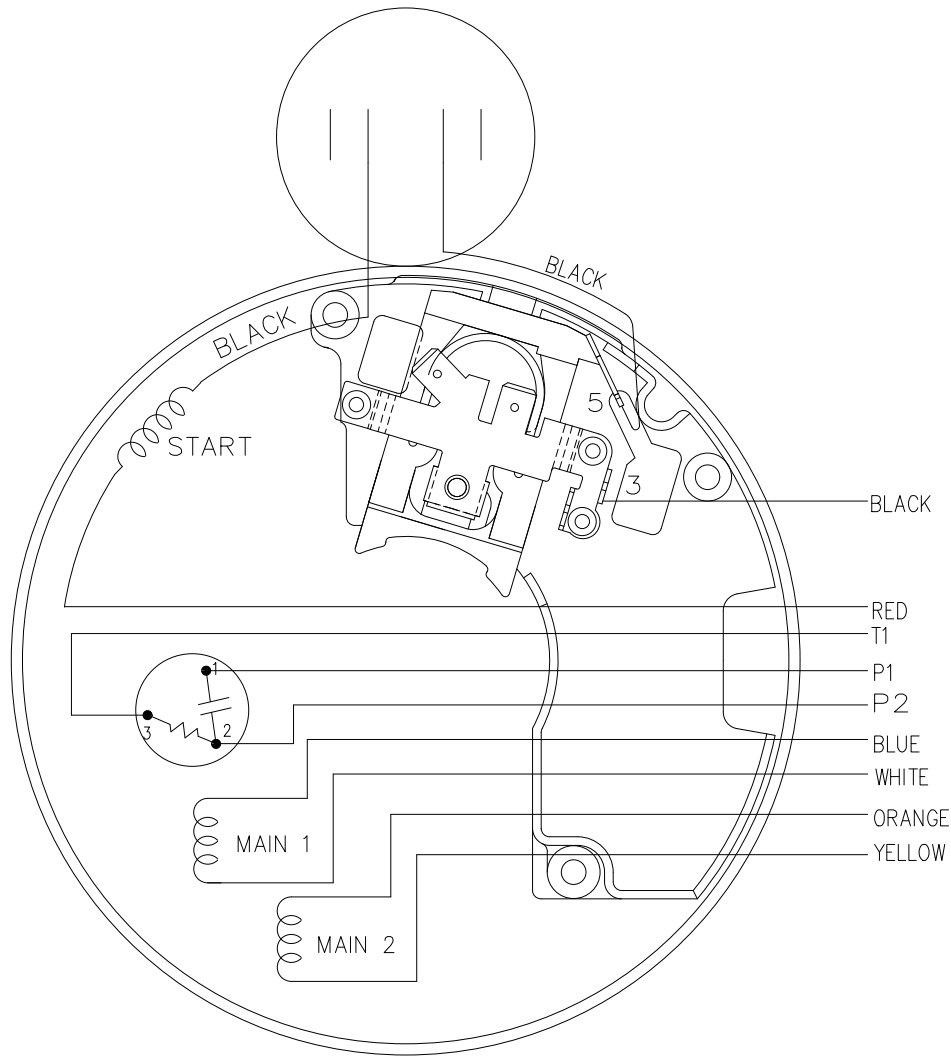
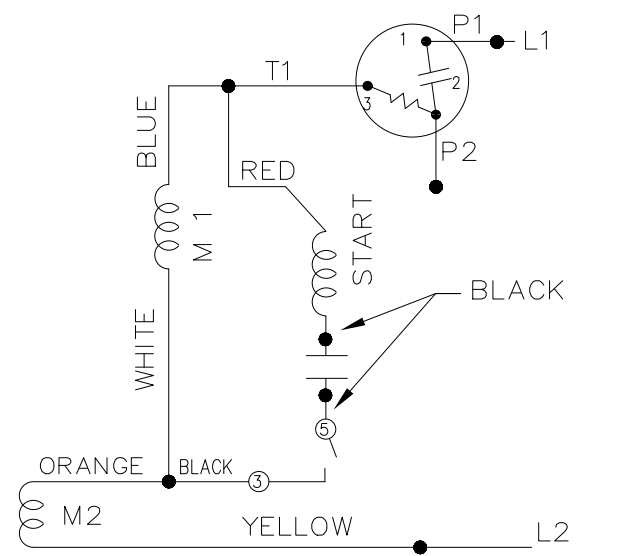
CAD FILE 104462	SIZE A
-----------------	--------

DRAWING NO. 104462	PAGE OF 5	REV. 5
--------------------	-----------	--------

LOW VOLTAGE - CCW

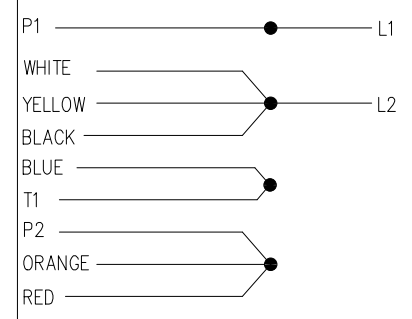


HIGH VOLTAGE - CCW

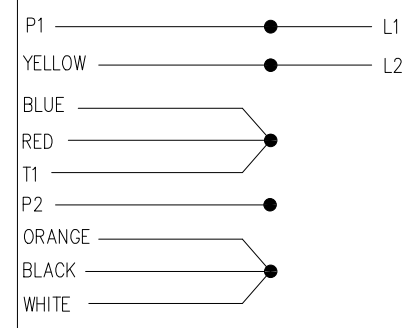


DUAL VOLTAGE  
CAPACITOR START  
OVERLOAD  
SELECT ROTATION

LOW VOLT. CCW ROT.



HIGH VOLT. CCW ROT.



FOR CW ROTATION  
EITHER VOLTAGE  
INTERCHANGE RED  
WITH BLACK

NO.	REVISION	BY & DATE	CHK	TOLERANCES UNLESS SPECIFIED		REGAL™ Regal Beloit America, Inc.	DRAWN BRH 02-29-1996
				DEC.	INCHES		
				.X	±.1		CHK ML 03-06-1996
				.XX	±.02	TITLE CONNECTION DIAGRAM	APPD GK 03-06-1996
7	UPDATED LOGO NMR-0212341	KB 01/12/2022	PVR	.XXX	±.005		SCALE 5=8
6	REISSUE	BRH 03-13-1996		.XXXX	±.0005		REF
5	REDRAWN ON CADD	BRH 03-06-1996				MAT'L.	FMF
				ANG	±7'30"	FINISH	PREV
THIS DRAWING IN DESIGN AND DETAIL IS OUR PROPERTY AND MUST NOT BE USED EXCEPT IN CONNECTION WITH OUR WORK ALL RIGHTS OF DESIGN AND INVENTION ARE RESERVED THIS IS AN ELECTRONICALLY GENERATED DOCUMENT - DO NOT SCALE THIS PRINT				RFP		CAD FILE 102005-52	SIZE A
				DIST WP			DRAWING NO. 102005-52
							PAGE OF 7
							REV. 7

**CERTIFICATION DATA SHEET**

**Model#:** 56C17F5358 E  
**CONN. DIAGRAM:** 102005-52  
**OUTLINE:** A-104462-656

**WINDING#:** ZC406 NONE 3  
**ASSEMBLY:** F1 ONLY

**TYPICAL MOTOR PERFORMANCE DATA**

HP	KW	SYNC. RPM	F.L. RPM	FRAME	ENCLOSURE	KVA CODE	DESIGN
1/3	0.25	1800	1725	56C	TEFC	N	N

PH	Hz	VOLTS	FL AMPS	START TYPE	DUTY	INSL	S.F	AMB°C	ELEVATION
1	60	115/208-230	6.6/3.1-3.3	ACROSS THE LINE	CONTINUOUS	B3	1.15	40	3300

FULL LOAD EFF: 55	3/4 LOAD EFF: 50.5	1/2 LOAD EFF: 43.2	GTD. EFF	ELEC. TYPE	NO LOAD AMPS
FULL LOAD PF: 60	3/4 LOAD PF: 50	1/2 LOAD PF: 42.7	0	CAP START IND RUN	5.6 / 2.8

F.L. TORQUE	LOCKED ROTOR AMPS	L.R. TORQUE	B.D. TORQUE	F.L. RISE°C
16 LB-FT	32.4 / 16.2	55.7 LB-FT 348	44.6 LB-FT 279	53

SOUND PRESSURE @ 3 FT.	SOUND POWER	ROTOR WK^2	MAX. WK^2	SAFE STALL TIME	STARTS /HOUR	APPROX. MOTOR WGT
0 dBA	10 dBA	0 LB-FT^2	0 LB-FT^2	10 SEC.	0	0 LBS.

**\*\*\* SUPPLEMENTAL INFORMATION \*\*\***

DE BRACKET TYPE	ODE BRACKET TYPE	MOUNT TYPE	ORIENTATION	SEVERE DUTY	HAZARDOUS LOCATION	DRIP COVER	SCREENS	PAINT
C-FACE	BRAKE	RIGID	HORIZONTAL	FALSE	NONE	FALSE	NONE	GRAY (POWDER)

BEARINGS		GREASE	SHAFT TYPE	SPECIAL DE	SPECIAL ODE	SHAFT MATERIAL	FRAME MATERIAL
DE	OPE						
BALL	BALL	POLYREX EM	STANDARD 56	NONE	NONE	1144 STRESSPROOF (C-223)	ROLLED STEEL
6203	6203						

THERMO-PROTECTORS				THERMISTORS	CONTROL	SPACE /n HEATERS
THERMOSTATS	PROTECTORS	WDG RTDs	BRG RTDs			
NONE	MANUAL	NONE	NONE	NONE	FALSE	NONE VOLTS

If Inverter equals NONE, contact factory for further information

\*  
N  
O  
T  
E  
S  
\*

INVERTER TORQUE: NONE
INV. HP SPEED RANGE: NONE
ENCODER: NONE
NONE NONE
NONE NONE PPR
BRAKE: PROVISIONS FOR KIT NONE
NONE P/N NONE
NONE NONE
NONE FT-LB NONE V NONE Hz

DATE: 06/27/2017 07:08:57 AM  
 FORM 3531 REV.3 02/07/99  
 \*\* Subject to change without notice.



**REGAL REXNORD CORPORATION**  
TYPICAL PERFORMANCE CURVE for AC MOTOR

Customer

Curve at

230 Volts  
60 HZ  
0.33 HP

HP 0.33

PHASE 1

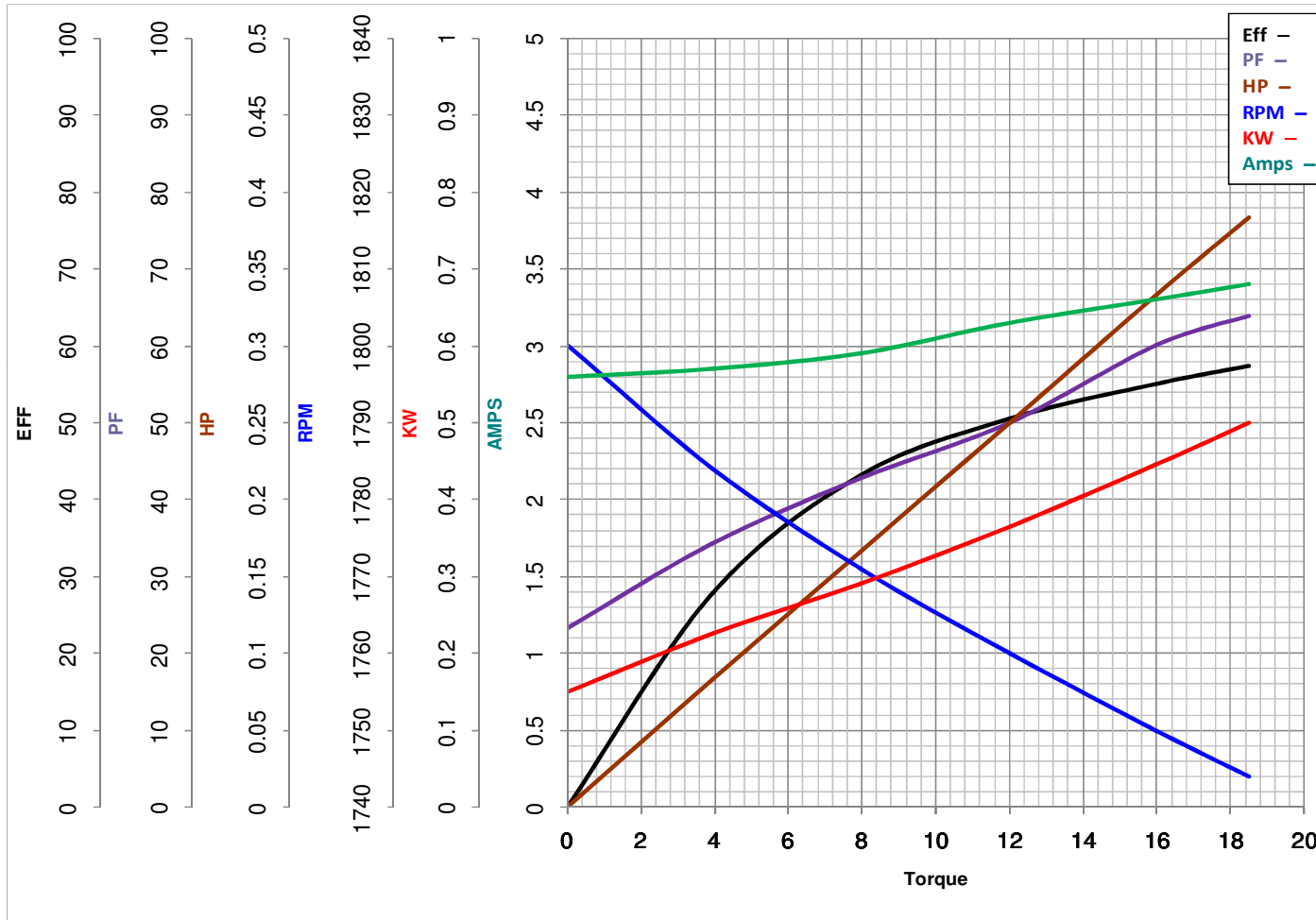
Model No 56C17F5358

VOLTS 115/208-230

Catalog No F131

HZ 60

RPM 1725



Torque in Oz.Ft

FL TORQUE 16 Oz.Ft  
BD TORQUE 44.6 Oz.Ft  
LR TORQUE 55.7 Oz.Ft

FL AMPS 6.6/3.1-3.3  
PU TORQUE 39.9 Oz.Ft  
LR AMPS 16.2

WINDING ZC406-3

Date 1/10/2019

## EC Declaration of Conformity

The undersigned representing  
the manufacturer:

Regal Beloit America  
1946 West Cook Road  
Fort Wayne, IN 46818

and the authorized representative  
established within the Community:

Regal Beloit Italy  
Via Modena, 18  
24040 Ciserano(BG) - Italy

are committed to providing customers with products that comply with applicable regulations and international protocols to which they are subject, including the requirements of the European Parliament Directive on the Harmonization of the laws relating to electrical equipment designed for use within certain voltage limits (2014/35/EU).

Regal Beloit America declares that the following product(s), to which this declaration relates, are in conformity with the relevant sections of the EC standards listed below.

This statement supersedes any statements previously issued pertaining to the product(s) listed below and is subject to change without notice.

Model No : 056C17F5358

(Model No. may contain prefix and/or suffix characters)

Catalog No : F131

Rework No : N/A

Directives :

Low Voltage Directive 2014/35/EU

Harmonized Standards Used :

EN 60034-1: 2010 (IEC 60034-1: 2010)

EN 60034-5: 2001/A1:2007 (IEC 60034-5: 2000/A1:2006)

Authorized Representative:



Zach Stauffer  
Vice President, Engineering

Authorized Representative in the Community:



Stefano Casiraghi  
Technology Director, Engineering

Created on 07/08/2025

**CE 25**