

PRODUCT INFORMATION PACKET



Model No: 056C17F5913

Catalog No: F133

General Purpose Farm Duty Motor, 0.75 & 0.50 HP, 1 Ph, 60 & 50 Hz, 115/208-230 & 110/220 V,
1800 & 1500 RPM, 56C Frame, TEFC



Regal and LEESON are trademarks of Regal Rexnord Corporation or one of its affiliated companies.
©2025 Regal Rexnord Corporation, All Rights Reserved. MC017097E



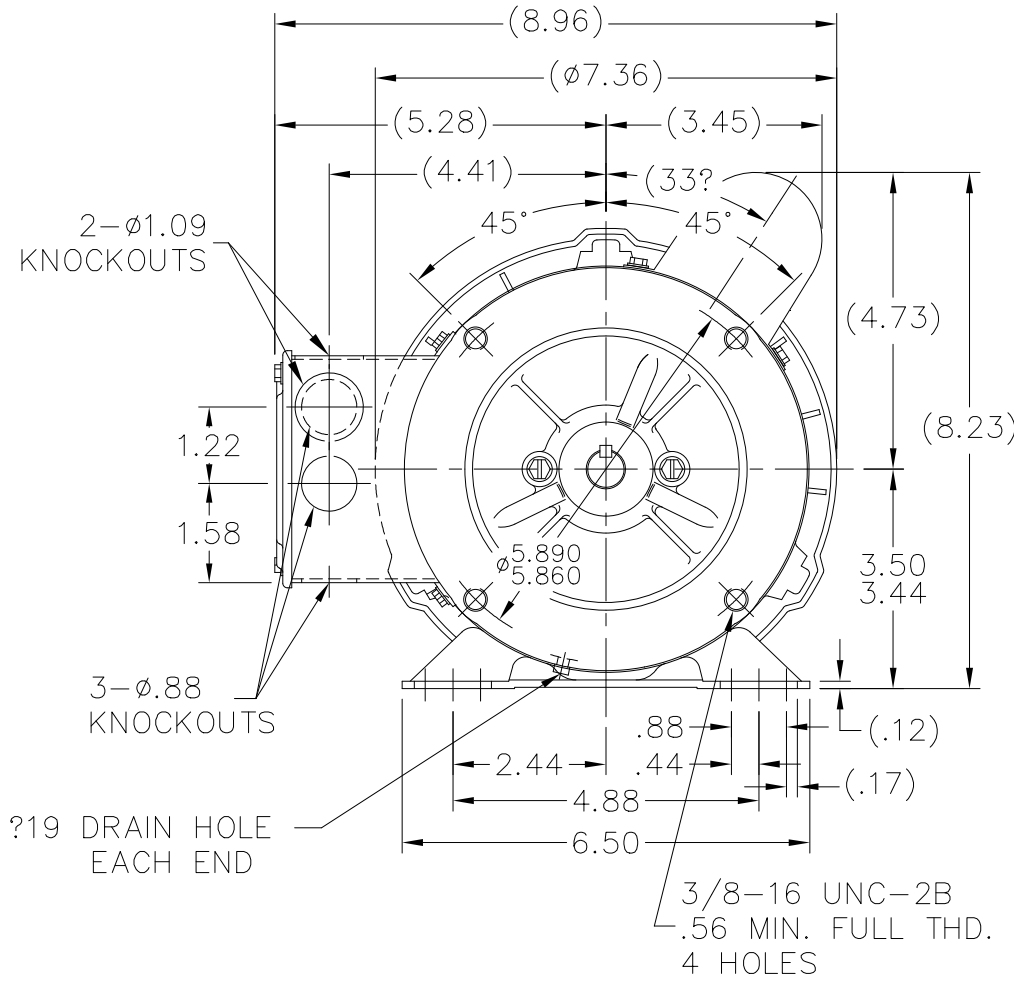
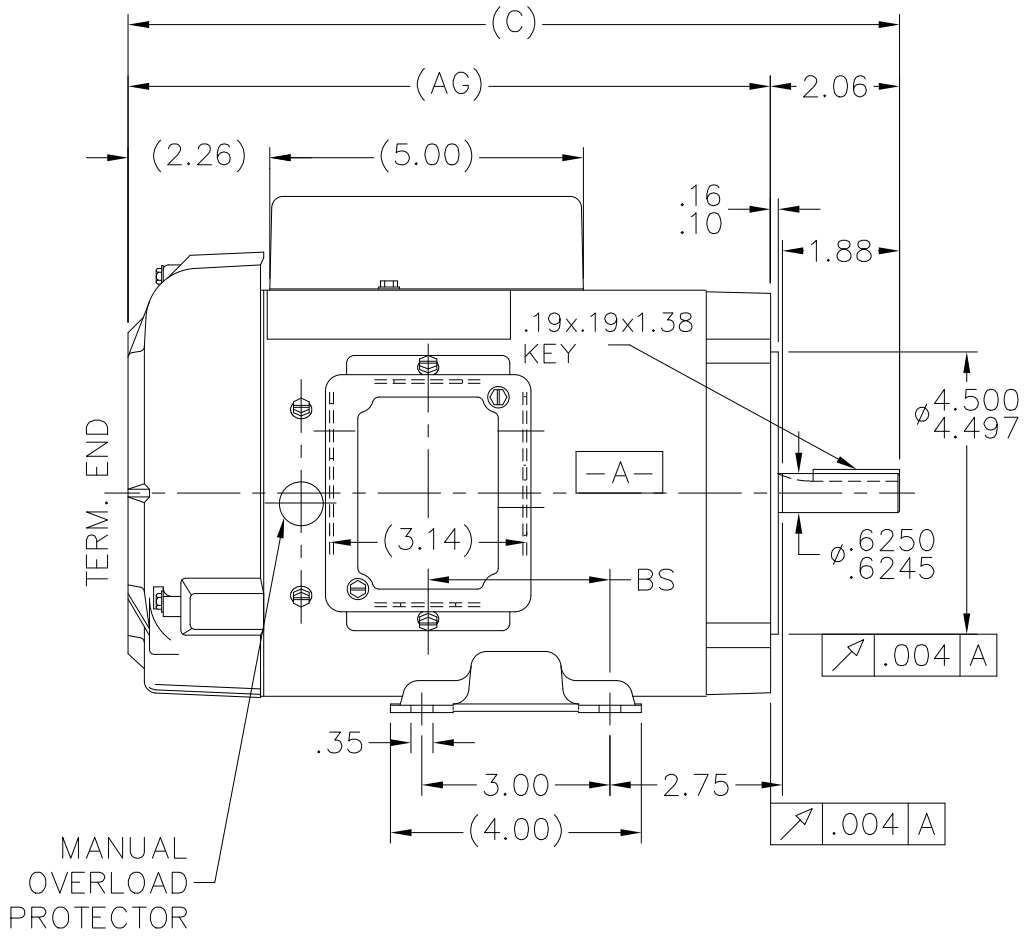


Nameplate Specifications

Phase	1	Output HP	0.75 & 0.50 Hp
Output KW	0.56 & 0.37 kW	Voltage	115/208-230 & 110/220 V
Speed	1725 & 1425 rpm	Service Factor	1.15 & 1.0
Frame	56C	Enclosure	Totally Enclosed Fan Cooled
Thermal Protection	Manual	Efficiency	70.5 & 59.5 %
Ambient Temperature	40 °C	Frequency	60 & 50 Hz
Current	11/5.4-5.5 & 11.4/5.7 A	Power Factor	71
Duty	Continuous	Insulation Class	B
Design Code	L	KVA Code	L
Drive End Bearing Size	6203	Opp Drive End Bearing Size	6203
UL	Recognized	CSA	Y
CE	Y	IP Code	43
Number of Speeds	1		

Technical Specifications

Electrical Type	Capacitor Start Induction Run	Starting Method	Across The Line
Poles	4	Rotation	Selective Counterclockwise
Resistance Main	0 Ohms	Mounting	Rigid Base
Motor Orientation	Horizontal	Drive End Bearing	Ball
Opp Drive End Bearing	Ball	Frame Material	Rolled Steel
Shaft Type	NEMA 56	Overall Length	12.32 in
Frame Length	7.06 in	Shaft Diameter	0.625 in
Shaft Extension	2.06 in	Assembly/Box Mounting	F1 ONLY
Connection Drawing	102005-52	Outline Drawing	A-104462-706



DASH	FRAME	C	AG	BS
656	56-65	11.82	9.75	2.40
706	56-70	12.32	10.25	2.90
756	56-75	12.82	10.75	3.40

NOTES:
 1. CONDUIT BOX CAN BE ROTATED 180°.
 2. NAMEPLATE READ FROM CONDUIT BOX SIDE.

NO.	REVISION	BY & DATE	CHK	ANG	TOLERANCES UNLESS SPECIFIED
5	CHG FROM MARATHON TO REGAL REXNORD LOGO	KVDG 05-15-2024	DS	DEC.	INCHES
4	REMOVED "PLUGGED" FROM DRAIN HOLE ISAAC 12-0555	WGJ 02-21-2012	DD	.X	±.1
3	REVISED DRAWING	RJW 04-03-2007		.XX	±.03
2	REDRAWN IN AUTOCAD	TAT 06-13-2005	ML	.XXX	±.005
1	NEW DRAWING MU20295	MRB 07-06-1998		.XXXX	±.0005
					±7'30"

Regal Rexnord Regal Beloit America, Inc.

TITLE OUTLINE
56 FR. - TEFC - C' FACE

MAT'L.

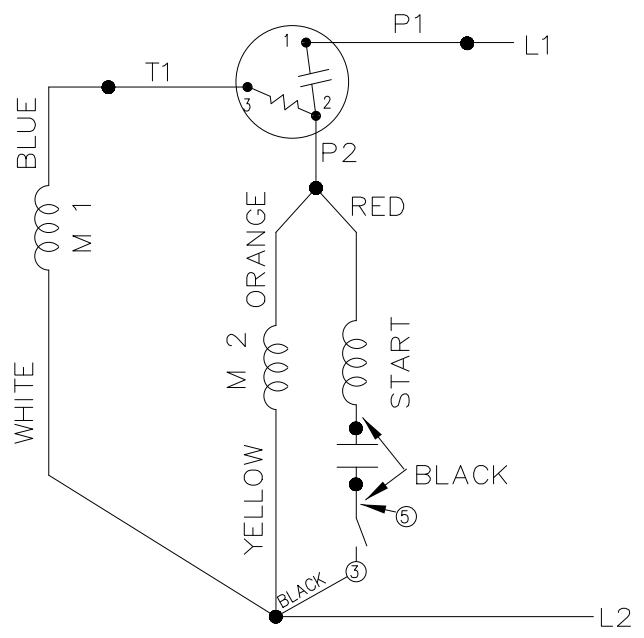
FINISH

DRAWN MRB 06-23-1998
CHK ML 07-06-1998
APPD JMB 07-06-1998
SCALE 5=16
REF
FMF
PREV

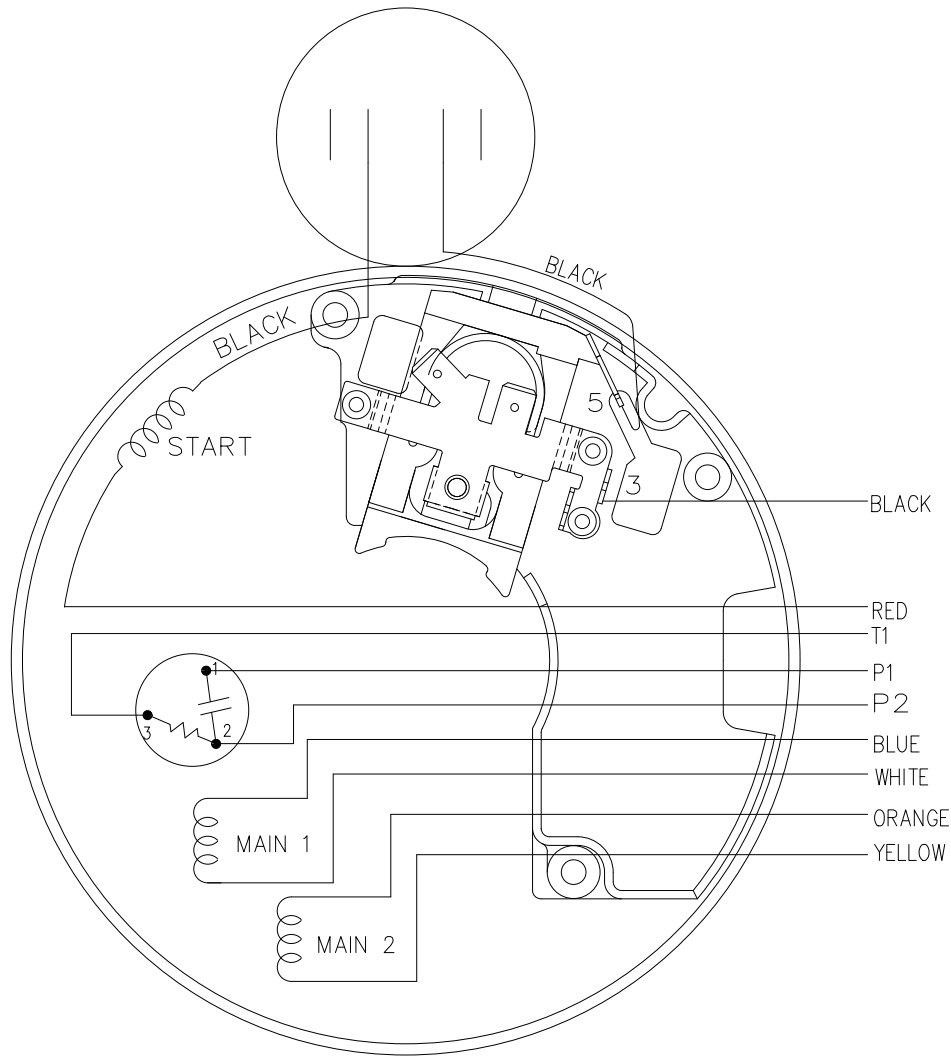
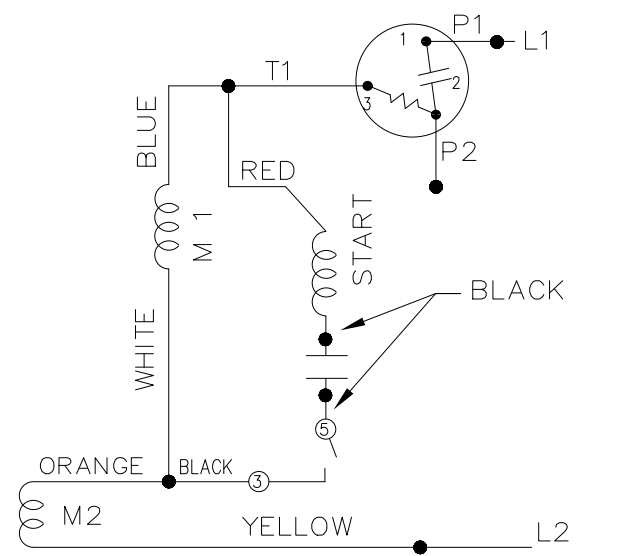
THIS DRAWING IN DESIGN AND DETAIL IS OUR PROPERTY AND MUST NOT BE USED EXCEPT IN CONNECTION WITH OUR WORK ALL RIGHTS OF DESIGN AND INVENTION ARE RESERVED THIS IS AN ELECTRONICALLY GENERATED DOCUMENT - DO NOT SCALE THIS PRINT

RFP	CAD FILE 104462	SIZE A	DRAWING NO. 104462	PAGE OF	REV. 5
DIST WP					

LOW VOLTAGE - CCW

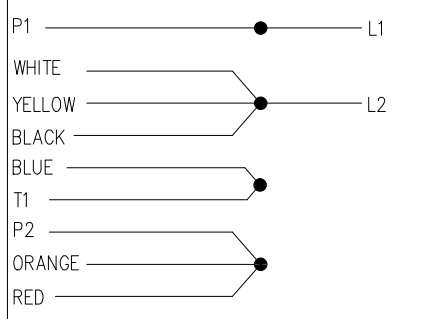


HIGH VOLTAGE - CCW

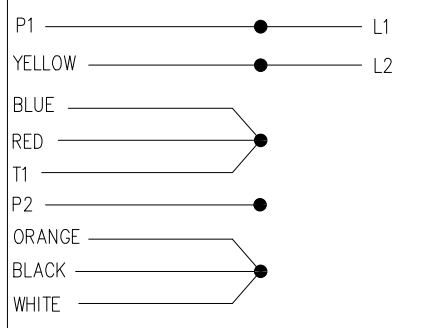


DUAL VOLTAGE
CAPACITOR START
OVERLOAD
SELECT ROTATION

LOW VOLT. CCW ROT.



HIGH VOLT. CCW ROT.



FOR CW ROTATION
EITHER VOLTAGE
INTERCHANGE RED
WITH BLACK

NO.	REVISION	BY & DATE	CHK	TOLERANCES UNLESS SPECIFIED		REGAL™ Regal Beloit America, Inc.	DRAWN BRH 02-29-1996
				DEC.	INCHES		
				.X	±.1		CHK ML 03-06-1996
				.XX	±.02	TITLE CONNECTION DIAGRAM	APPD GK 03-06-1996
7	UPDATED LOGO NMR-0212341	KB 01/12/2022	PVR	.XXX	±.005		SCALE 5=8
6	REISSUE	BRH 03-13-1996		.XXXX	±.0005		REF
5	REDRAWN ON CADD	BRH 03-06-1996				MAT'L.	FMF
				ANG	±7'30"	FINISH	PREV
THIS DRAWING IN DESIGN AND DETAIL IS OUR PROPERTY AND MUST NOT BE USED EXCEPT IN CONNECTION WITH OUR WORK ALL RIGHTS OF DESIGN AND INVENTION ARE RESERVED THIS IS AN ELECTRONICALLY GENERATED DOCUMENT - DO NOT SCALE THIS PRINT				RFP		CAD FILE 102005-52	SIZE A
				DIST WP			DRAWING NO. 102005-52
							PAGE OF 7
							REV. 7

CERTIFICATION DATA SHEET

Model#: 56C17F5913 E
CONN. DIAGRAM: 102005-52
OUTLINE: A-104462-706

WINDING#: ZC469 NONE 3
ASSEMBLY: F1 ONLY

TYPICAL MOTOR PERFORMANCE DATA

HP	KW	SYNC. RPM	F.L. RPM	FRAME	ENCLOSURE	KVA CODE	DESIGN
3/4&1/2	.56&.37	1800	1725&1425	56C	TEFC	L	L

PH	Hz	VOLTS	FL AMPS	START TYPE	DUTY	INSL	S.F	AMB°C	ELEVATION
1	60/50	115/208- 230#110/220	11/5.4- 5.5&11.4/5.7	ACROSS THE LINE	CONTINUOU S	B3	1.15/1.0	40	3300

FULL LOAD EFF: 70.5&59.5	3/4 LOAD EFF: 69.4	1/2 LOAD EFF: 63.2	GTD. EFF	ELEC. TYPE	NO LOAD AMPS
FULL LOAD PF: 71&49	3/4 LOAD PF: 56.9	1/2 LOAD PF: 46.1	0	CAP START IND RUN	7.5 / 3.8

F.L. TORQUE	LOCKED ROTOR AMPS	L.R. TORQUE	B.D. TORQUE	F.L. RISE°C
36 LB-FT	61 / 30.5	133 LB-FT 0	97.9 LB-FT 0	60

SOUND PRESSURE @ 3 FT.	SOUND POWER	ROTOR WK^2	MAX. WK^2	SAFE STALL TIME	STARTS /HOUR	APPROX. MOTOR WGT
0 dBA	10 dBA	0 LB-FT^2	0 LB-FT^2	0 SEC.	0	0 LBS.

***** SUPPLEMENTAL INFORMATION *****

DE BRACKET TYPE	ODE BRACKET TYPE	MOUNT TYPE	ORIENTATION	SEVERE DUTY	HAZARDOUS LOCATION	DRIP COVER	SCREENS	PAINT
C-FACE	BRAKE	RIGID	HORIZONTAL	FALSE	NONE	FALSE	NONE	GRAY (POWDER)

BEARINGS		GREASE	SHAFT TYPE	SPECIAL DE	SPECIAL ODE	SHAFT MATERIAL	FRAME MATERIAL
DE	OPE						
BALL	BALL	POLYREX EM	STANDARD 56	NONE	NONE	1144 STRESSPROOF (C-223)	ROLLED STEEL
6203	6203						

THERMO-PROTECTORS				THERMISTORS	CONTROL	SPACE /n HEATERS
THERMOSTATS	PROTECTORS	WDG RTDs	BRG RTDs			
NONE	MANUAL	NONE	NONE	NONE	FALSE	NONE VOLTS

If Inverter equals NONE, contact factory for further information

*
N
O
T
E
S
*

INVERTER TORQUE: NONE
INV. HP SPEED RANGE: NONE
ENCODER: NONE
NONE NONE
NONE NONE PPR
BRAKE: PROVISIONS FOR KIT NONE
NONE P/N NONE
NONE NONE
NONE FT-LB NONE V NONE Hz

DATE: 06/27/2017 07:10:20 AM
 FORM 3531 REV.3 02/07/99
 ** Subject to change without notice.



REGAL REXNORD CORPORATION
TYPICAL PERFORMANCE CURVE for AC MOTOR

Customer

Curve at 230 Volts
60 HZ
0.75 HP

HP 0.75&0.5 PHASE 1

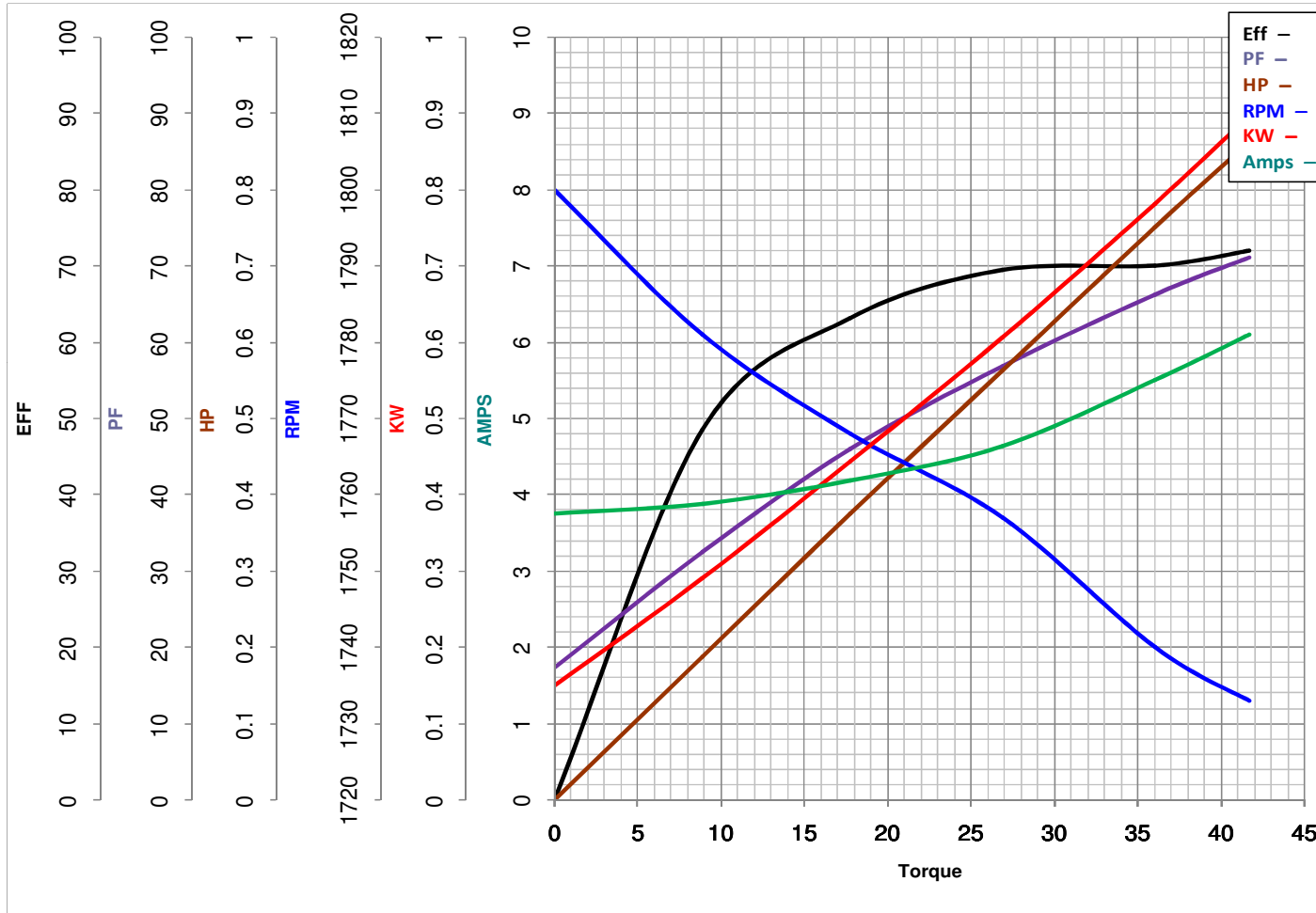
Model No 56C17F5913

VOLTS 115/208-230&110/220

Catalog No F133

HZ 60&50

RPM 1725&1425



Torque in Oz.Ft

FL TORQUE 36 Oz.Ft
BD TORQUE 93.0 Oz.Ft
LR TORQUE 120 Oz.Ft

FL AMPS 11/5.4-5.5
PU TORQUE 94.7 Oz.Ft
LR AMPS 31

WINDING ZC469-3

Date 1/10/2019

EC Declaration of Conformity

The undersigned representing
the manufacturer:

Regal Beloit America
1946 West Cook Road
Fort Wayne, IN 46818

and the authorized representative
established within the Community:

Regal Beloit Italy
Via Modena, 18
24040 Ciserano(BG) - Italy

are committed to providing customers with products that comply with applicable regulations and international protocols to which they are subject, including the requirements of the European Parliament Directive on the Harmonization of the laws relating to electrical equipment designed for use within certain voltage limits (2014/35/EU).

Regal Beloit America declares that the following product(s), to which this declaration relates, are in conformity with the relevant sections of the EC standards listed below.

This statement supersedes any statements previously issued pertaining to the product(s) listed below and is subject to change without notice.

Model No : 056C17F5913

(Model No. may contain prefix and/or suffix characters)

Catalog No : F133

Rework No : N/A

Directives :

Low Voltage Directive 2014/35/EU

Harmonized Standards Used :

EN 60034-1: 2010 (IEC 60034-1: 2010)

EN 60034-5: 2001/A1:2007 (IEC 60034-5: 2000/A1:2006)

Authorized Representative:



Zach Stauffer
Vice President, Engineering

Authorized Representative in the Community:



Stefano Casiraghi
Technology Director, Engineering

Created on 07/08/2025

CE 25