

# PRODUCT INFORMATION PACKET



Model No: 056C17G5317

Catalog No: G657

Explosion Proof Motor, 0.75 HP, 1 Ph, 60 Hz, 115/230 V, 1800 RPM, 56 Frame, EPFC

**Operational at 115/208-230 V @60HZ**



Regal and LEESON are trademarks of Regal Rexnord Corporation or one of its affiliated companies.  
©2025 Regal Rexnord Corporation, All Rights Reserved. MC017097E



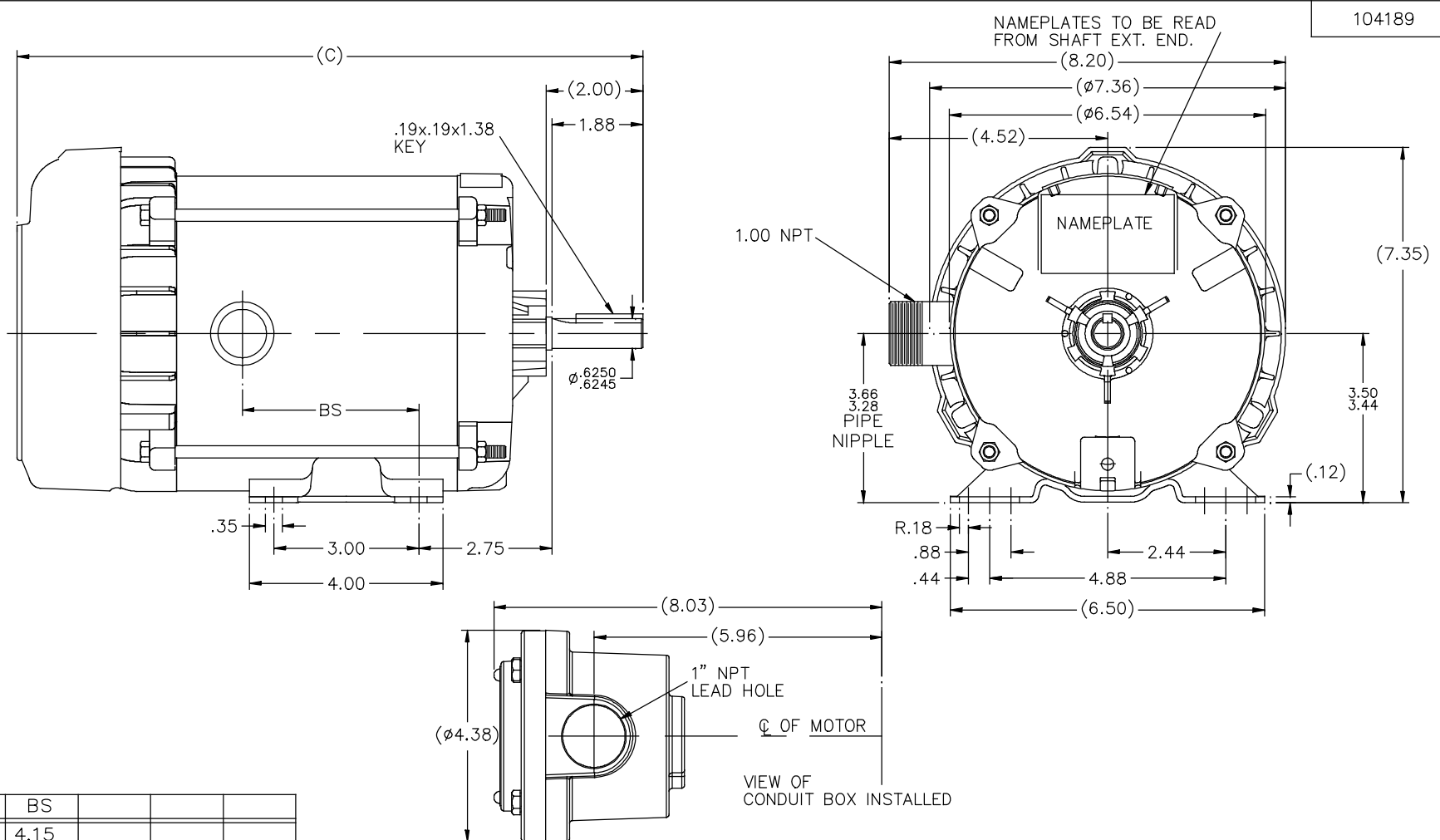


### Nameplate Specifications

Phase	1	Output HP	0.75 Hp
Output KW	0.56 kW	Voltage	115/230 V
Speed	1725 rpm	Service Factor	1.0
Frame	56	Enclosure	Explosion Proof Fan cooled
Thermal Protection	Automatic	Efficiency	70 %
Ambient Temperature	40 °C	Frequency	60 Hz
Current	11.0/5.5 A	Power Factor	66.2
Duty	Continuous	Insulation Class	B
Design Code	NO DESIGN CODE	KVA Code	L
Drive End Bearing Size	6203	Opp Drive End Bearing Size	6203
UL	UL Listed And CSA Certified	CSA	Y
CE	N	IP Code	54
Number of Speeds	1	Hazardous Location	DIV 1 EXP PROOF CL I GR CD CL II GR FG T3B

### Technical Specifications

Electrical Type	Capacitor Start Induction Run	Starting Method	Across The Line
Poles	4	Rotation	Selective Counterclockwise
Resistance Main	0 Ohms	Mounting	Rigid Base
Motor Orientation	Horizontal	Drive End Bearing	Ball
Opp Drive End Bearing	Ball	Frame Material	Rolled Steel
Shaft Type	NEMA 56	Overall Length	14.44 in
Frame Length	7.31 in	Shaft Diameter	0.625 in
Shaft Extension	2 in	Assembly/Box Mounting	F1 ONLY
Connection Drawing	102005-84	Outline Drawing	B-104189-731

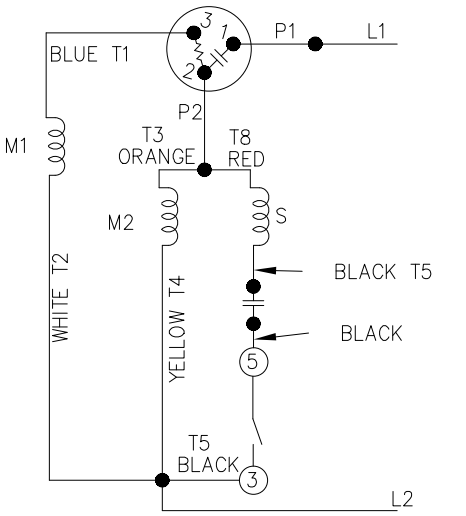


104189

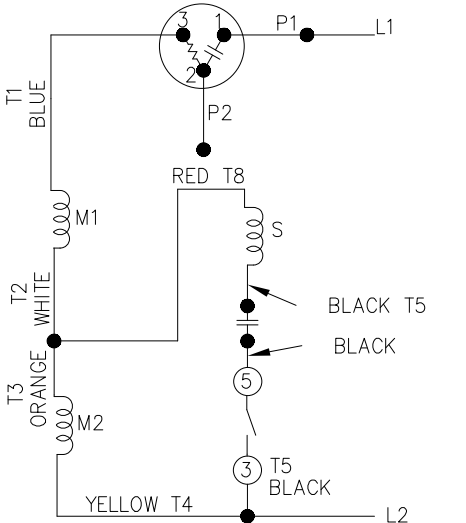
DASH	(C)	BS			
631	13.44	4.15			
681	13.94	4.65			
731	14.44	5.15			
781	14.94	5.65			
831	15.44	6.15			
881	15.94	6.65			
931	16.44	7.15			
981	16.94	7.65			

				TOLERANCES UNLESS SPECIFIED		REGAL™ Regal Beloit America, Inc.		DRAWN MH 11-20-1996	
				DEC.	INCHES			CHK	ML 12-02-1996
4	COND. BOX INSTALLED VIEW UPDATED PER ECR-0044571	UD	10/15/13	ST	.X	±.1		APPD	GK 12-02-1996
3	REVISED C'BOX PER CN40784A	JJB	02/23/2007	ML	.XX	±.03	TITLE OUTLINE	SCALE	1=2
2	ADDED CONDUIT BOX VIEW CN 26686	MRB	03-22-1998		.XXX	±.005	56 FR. - EXP. PR. - TEFC - 1 $\phi$ & 3 $\phi$	REF	
1	NEW DRAWING CN 23099	MH	12-02-1996		.XXXX	±.0005	MAT'L	FMF	
NO.	REVISION	BY & DATE		CHK	ANG	±7'30"	FINISH	PREV	
THIS DRAWING IN DESIGN AND DETAIL IS OUR PROPERTY AND MUST NOT BE USED EXCEPT IN CONNECTION WITH OUR WORK. ALL RIGHTS OF DESIGN AND INVENTION ARE RESERVED. THIS IS AN ELECTRONICALLY GENERATED DOCUMENT - DO NOT SCALE THIS PRINT				RFP			CAD FILE 104189	SIZE	DRAWING NO. PAGE OF REV.
				DIST	WP			B	104189 4

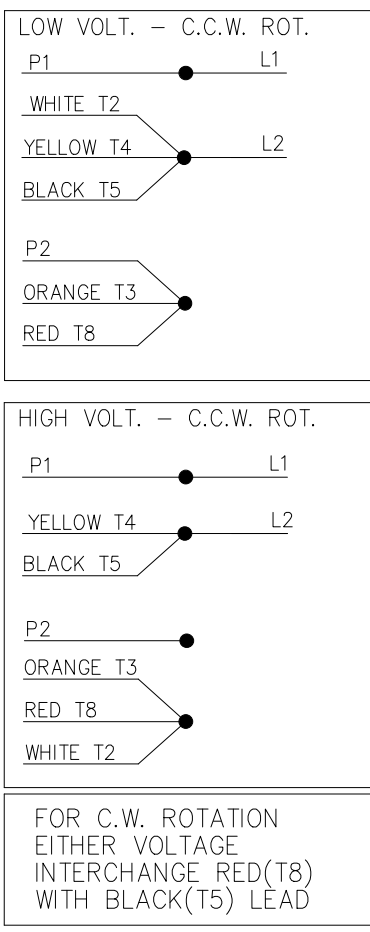
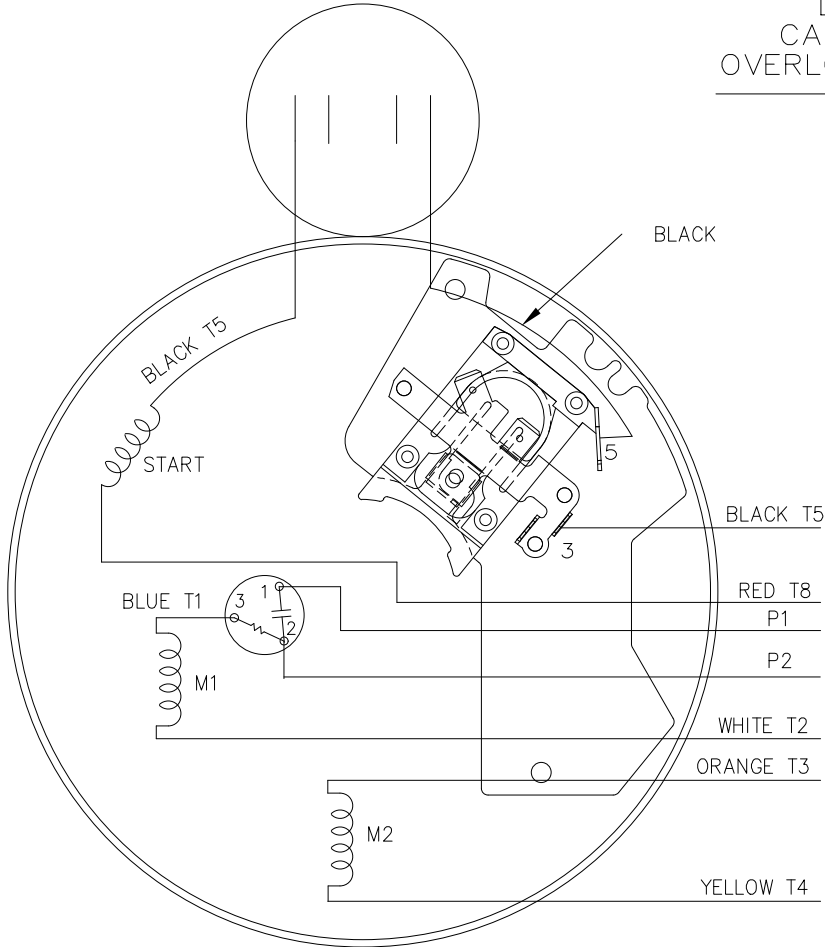
LOW VOLTAGE - C.C.W.



HIGH VOLTAGE - C.C.W.



DUAL VOLTAGE  
CAPACITOR START  
OVERLOAD SELECT ROT.



DRAWING REVISION A	REVISION BY KVDG	REV DATE/ DATE 05/28/2025
REQUEST NUMBER ECR-0243058	APPROVED BY DS	DATE 05/28/2025

REQUEST NUMBER DESCRIPTION  
UPDATED THE DRG TO RRX TEMPLATE

COPYRIGHT (PER REVISION DATE) REGAL BELOIT AMERICA, INC. ALL RIGHTS RESERVED. PROPRIETARY AND CONFIDENTIAL INFORMATION - THIS DOCUMENT IS THE PROPERTY OF REGAL BELOIT AMERICA, INC. (OWNER) AND CONTAINS OWNER'S PROPRIETARY INFORMATION. ANY PERSON, CORPORATION OR OTHER FIRM RECEIVING IT IS DEEMED, BY RECEIVING IT, TO AGREE THAT IT, AND/OR ANY PART OF IT, SHALL NOT BE DISCLOSED TO ANY PERSON, CORPORATION OR OTHER ENTITY, DUPLICATED, AND/OR USED, EXCEPT AS EXPRESSLY APPROVED IN WRITING IN ADVANCE BY OWNER. THIS DOCUMENT SHALL BE RETURNED TO OWNER UPON REQUEST. IT MAY BE SUBJECT TO CERTAIN RESTRICTIONS UNDER APPLICABLE EXPORT CONTROL LAWS AND REGULATIONS.

TOLERANCES (EXCEPT AS NOTED):  
 DEC. INCH mm ANGLE  
 .X ±0.1 [±3] ±0.5°  
 .XX ±0.01 [±0.3]  
 .XXX ±0.005 [±0.13]  
 .XXXX ±0.0005 [±0.013]  
 REMOVE BURRS & BREAK SHARP  
 EDGES: .003/.015 [.08/.38] X 45  
 CORNER FILLETS: R.02 [.5]  
 MACHINED SURFACES: 125/ 3.2  
 INCH mm  
 mm DIMENSIONS IN [BRACKETS]  
 ARE FOR REFERENCE ONLY

DRAWN BY PVR
DATE 09/27/2012
APPROVED BY
DATE
REFERENCE 102005-84
THIRD ANGLE PROJECTION

<b>Regal Rexnord</b>		Regal Beloit America, Inc.	
DESCRIPTION CONNECTION DIAGRAM			
MAT'L	PROCESS/FINISH	SIZE B	DRAWING NUMBER 102005-84A
			SHEET 1 OF 1

**CERTIFICATION DATA SHEET**

**Model#:** 56C17G5317 L  
**CONN. DIAGRAM:** 102005-84  
**OUTLINE:** B-104189-731

**WINDING#:** ZC4147 NONE 3  
**ASSEMBLY:** F1 ONLY

**TYPICAL MOTOR PERFORMANCE DATA**

HP	KW	SYNC. RPM	F.L. RPM	FRAME	ENCLOSURE	KVA CODE	DESIGN
3/4	.56	1800	1725	56	EPFC	L	NO DESIGN CODE

PH	Hz	VOLTS	FL AMPS	START TYPE	DUTY	INSL	S.F	AMB°C	ELEVATION
1	60	115/208-230	11/5.4-5.5	ACROSS THE LINE	CONTINUOUS	B3	1.0	40	3300

FULL LOAD EFF: 70	3/4 LOAD EFF: 69.4	1/2 LOAD EFF: 63.2	GTD. EFF	ELEC. TYPE	NO LOAD AMPS
FULL LOAD PF: 66.2	3/4 LOAD PF: 56.9	1/2 LOAD PF: 46.1	0	CAP START IND RUN	7.5 / 3.8

F.L. TORQUE	LOCKED ROTOR AMPS	L.R. TORQUE	B.D. TORQUE	F.L. RISE°C
36 LB-FT	61 / 30.5	133 LB-FT 369	97.9 LB-FT 272	52

SOUND PRESSURE @ 3 FT.	SOUND POWER	ROTOR WK^2	MAX. WK^2	SAFE STALL TIME	STARTS /HOUR	APPROX. MOTOR WGT
- dBA	- dBA	0 LB-FT^2	- LB-FT^2	- SEC.	-	0 LBS.

**\*\*\* SUPPLEMENTAL INFORMATION \*\*\***

DE BRACKET TYPE	ODE BRACKET TYPE	MOUNT TYPE	ORIENTATION	SEVERE DUTY	HAZARDOUS LOCATION	DRIP COVER	SCREENS	PAINT
STANDARD	STANDARD	RIGID	HORIZONTAL	FALSE	EXP PROOF CL I GR C&D CL II GR F&G T3B	FALSE	NONE	GRAY (POWDER)

BEARINGS		GREASE	SHAFT TYPE	SPECIAL DE	SPECIAL ODE	SHAFT MATERIAL	FRAME MATERIAL
DE	OPE						
BALL	BALL	POLYREX EM	T	NONE	NONE	1144 STRESSPROOF (C-223)	ROLLED STEEL
6203	6203						

THERMO-PROTECTORS				THERMISTORS	CONTROL	SPACE /n HEATERS
THERMOSTATS	PROTECTORS	WDG RTDs	BRG RTDs			
NONE	AUTOMATIC	NONE	NONE	NONE	FALSE	NONE VOLTS

If Inverter equals NONE, contact factory for further information

\*  
N  
O  
T  
E  
S  
\*

INVERTER TORQUE: NONE
INV. HP SPEED RANGE: NONE
ENCODER: NONE
NONE NONE
NONE NONE PPR
BRAKE: NONE NONE
NONE P/N NONE
NONE NONE
NONE FT-LB NONE V NONE Hz

DATE: 06/27/2017 07:18:31 AM  
 FORM 3531 REV.3 02/07/99

\*\* Subject to change without notice.





**REGAL REXNORD CORPORATION**  
TYPICAL PERFORMANCE CURVE for AC MOTOR

Customer

Curve at

230

Volts

HP 0.75

PHASE 1

Model No 56C17G5317

60

HZ

VOLTS 115/208-230

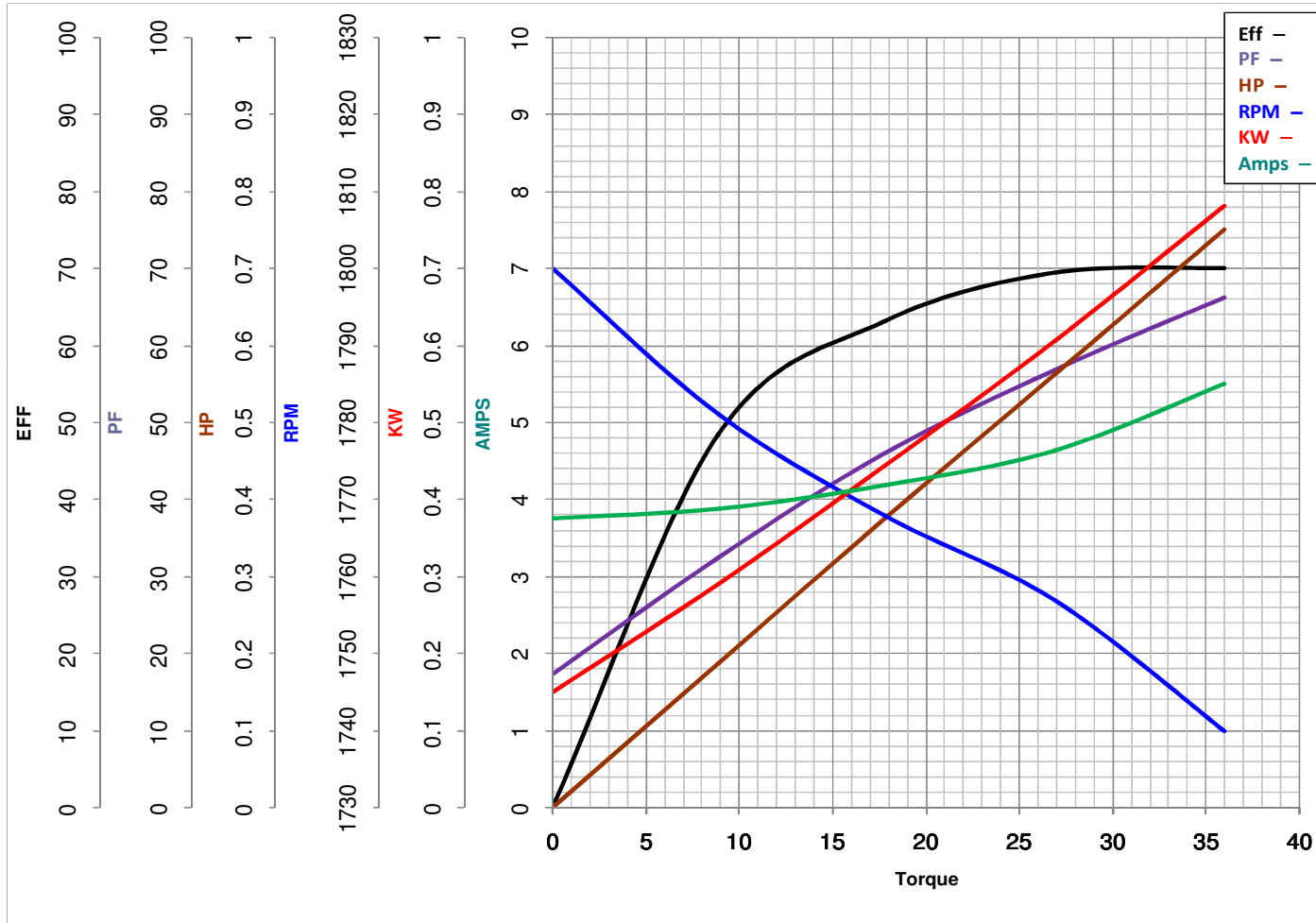
0.75

HP

Catalog No G657

HZ 60

RPM 1725



Torque in Oz.Ft

FL TORQUE 36 Oz.Ft  
BD TORQUE 97.9 Oz.Ft  
LR TORQUE 133 Oz.Ft

FL AMPS 11/5.4-5.5  
PU TORQUE 72.6 Oz.Ft  
LR AMPS 30.5

WINDING ZC4147-3

Date 1/10/2019