

PRODUCT INFORMATION PACKET



Model No: 056C17G5326

Catalog No: G874

Explosion Proof Motor, 0.75 HP, 1 Ph, 60 Hz, 115/230 V, 1800 RPM, 56C Frame, EPFC

Operational at 115/208-230 V @60HZ



Regal and LEESON are trademarks of Regal Rexnord Corporation or one of its affiliated companies.
©2025 Regal Rexnord Corporation, All Rights Reserved. MC017097E





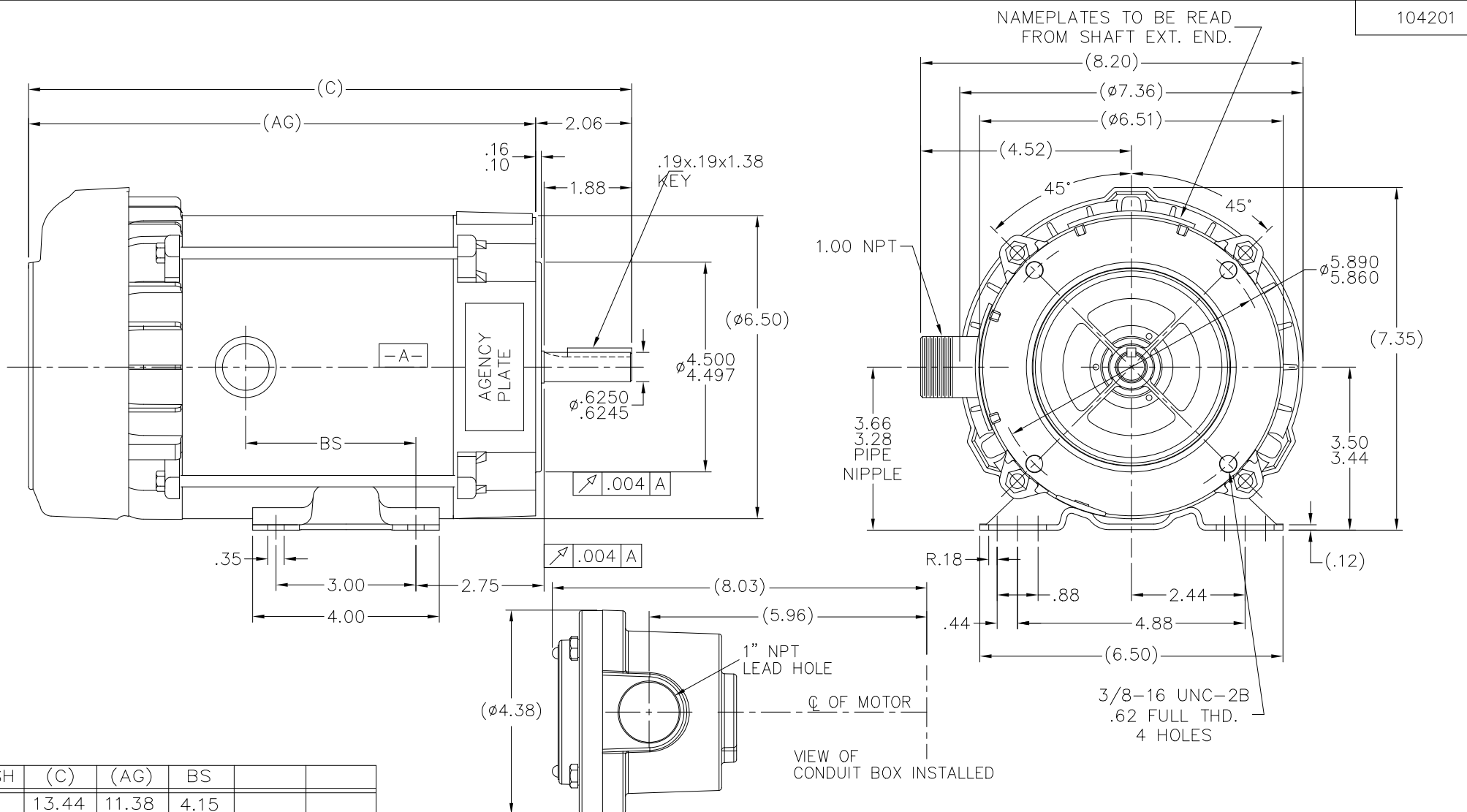
Nameplate Specifications

Phase	1	Output HP	0.75 Hp
Output KW	0.56 kW	Voltage	115/230 V
Speed	1725 rpm	Service Factor	1.00
Frame	56C	Enclosure	Explosion Proof Fan cooled
Thermal Protection	Automatic	Efficiency	70 %
Ambient Temperature	40 °C	Frequency	60 Hz
Current	11.0/5.5 A	Power Factor	66.2
Duty	Continuous	Insulation Class	B
Design Code	NO DESIGN CODE	KVA Code	L
Drive End Bearing Size	6203	Opp Drive End Bearing Size	6203
UL	UL Listed And CSA Certified	CSA	Y
CE	N	IP Code	54
Number of Speeds	1	Hazardous Location	DIV 1 EXP PROOF CL I GR CD CL II GR FG T3B

Technical Specifications

Electrical Type	Capacitor Start Induction Run	Starting Method	Across The Line
Poles	4	Rotation	Selective Counterclockwise
Resistance Main	0 Ohms	Mounting	Rigid Base
Motor Orientation	Horizontal	Drive End Bearing	Ball
Opp Drive End Bearing	Ball	Frame Material	Rolled Steel
Shaft Type	NEMA 56	Overall Length	14.44 in
Frame Length	7.31 in	Shaft Diameter	0.625 in
Shaft Extension	2.06 in	Assembly/Box Mounting	F1 ONLY
Connection Drawing	102005-84	Outline Drawing	B-104201-731

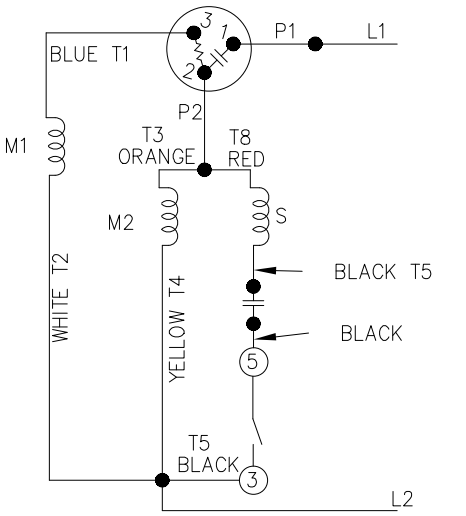
104201



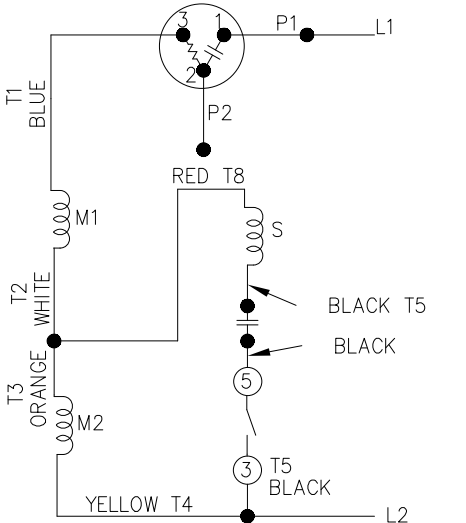
DASH	(C)	(AG)	BS		
631	13.44	11.38	4.15		
681	13.94	11.88	4.65		
731	14.44	12.38	5.15		
781	14.94	12.88	5.65		
831	15.44	13.38	6.15		
881	15.94	13.88	6.65		
931	16.44	14.38	7.15		
981	16.94	14.88	7.65		

NO.	REVISION	BY & DATE	CHK	ANG	±7'30"	FINISH	TOLERANCES UNLESS SPECIFIED		Regal Rexnord Regal Beloit America, Inc.	DRAWN MH 12-05-1996		
							DEC.	INCHES				
7	CHG FROM MARATHON TO RRX TEMPLATE PER ECR-0233453	MD 5/6/2024	DS									
6	COND. BOX INSTALLED VIEW UPDATED PER ECR-0044571	RWR 02/23/2007	ST							CHK ML 12-06-1996		
5	REVISED C'BOX PER CN30784A	TAT 07-13-2005	ML	.X	±.1					APPD GK 12-06-1996		
4	REV. D.E. BKT. DIM. TOL. FOR 4.499 DIM. CN46141	HLB 06-28-2004	ML	.XX	±.03			TITLE OUTLINE - 'C' FACE		SCALE 1=2		
3	REDRAWN IN AUTOCAD	MH 02-26-2001	ml	.XXX	±.005			56 FR. - EXP. PR.		REF		
2	ADDED CONDUIT BOX VIEW	MD 12-06-1996		.XXXX	±.0005	MAT'L				FMF		
										PREV		
THIS DRAWING IN DESIGN AND DETAIL IS OUR PROPERTY AND MUST NOT BE USED EXCEPT IN CONNECTION WITH OUR WORK ALL RIGHTS OF DESIGN AND INVENTION ARE RESERVED THIS IS AN ELECTRONICALLY GENERATED DOCUMENT - DO NOT SCALE THIS PRINT							RFP	CAD FILE 104201	SIZE B	DRAWING NO. 104201	PAGE 1 OF 1	REV. 7

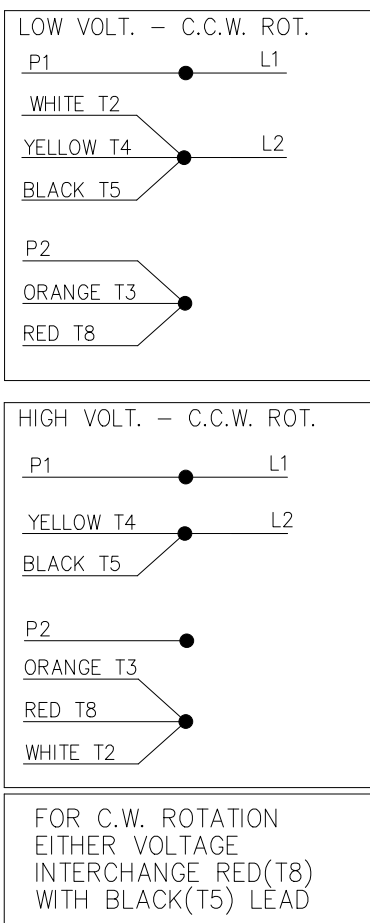
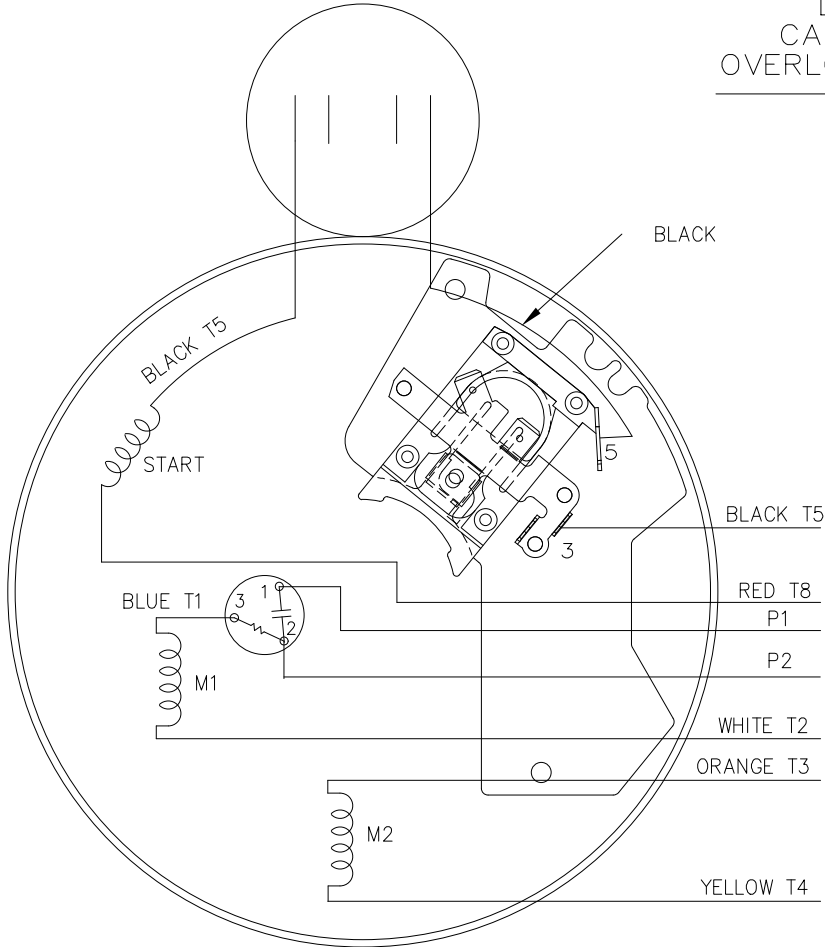
LOW VOLTAGE - C.C.W.



HIGH VOLTAGE - C.C.W.



DUAL VOLTAGE
CAPACITOR START
OVERLOAD SELECT ROT.



DRAWING REVISION A	REVISION BY KVDG	REV DATE/ DATE 05/28/2025
REQUEST NUMBER ECR-0243058	APPROVED BY DS	DATE 05/28/2025

REQUEST NUMBER DESCRIPTION
UPDATED THE DRG TO RRX TEMPLATE

COPYRIGHT (PER REVISION DATE) REGAL BELOIT AMERICA, INC. ALL RIGHTS RESERVED. PROPRIETARY AND CONFIDENTIAL INFORMATION - THIS DOCUMENT IS THE PROPERTY OF REGAL BELOIT AMERICA, INC. (OWNER) AND CONTAINS OWNER'S PROPRIETARY INFORMATION. ANY PERSON, CORPORATION OR OTHER FIRM RECEIVING IT IS DEEMED, BY RECEIVING IT, TO AGREE THAT IT, AND/OR ANY PART OF IT, SHALL NOT BE DISCLOSED TO ANY PERSON, CORPORATION OR OTHER ENTITY, DUPLICATED, AND/OR USED, EXCEPT AS EXPRESSLY APPROVED IN WRITING IN ADVANCE BY OWNER. THIS DOCUMENT SHALL BE RETURNED TO OWNER UPON REQUEST. IT MAY BE SUBJECT TO CERTAIN RESTRICTIONS UNDER APPLICABLE EXPORT CONTROL LAWS AND REGULATIONS.

TOLERANCES (EXCEPT AS NOTED):
 DEC. INCH mm ANGLE
 .X ±0.1 [±3] ±0.5°
 .XX ±0.01 [±0.3]
 .XXX ±0.005 [±0.13]
 .XXXX ±0.0005 [±0.013]
 REMOVE BURRS & BREAK SHARP
 EDGES: .003/.015 [.08/.38] X 45
 CORNER FILLETS: R.02 [.5]
 MACHINED SURFACES: 125/ 3.2
 INCH mm
 mm DIMENSIONS IN [BRACKETS]
 ARE FOR REFERENCE ONLY

DRAWN BY PVR
DATE 09/27/2012
APPROVED BY
DATE
REFERENCE 102005-84
THIRD ANGLE PROJECTION

Regal Rexnord		Regal Beloit America, Inc.	
DESCRIPTION CONNECTION DIAGRAM			
REFERENCE 102005-84	MAT'L	PROCESS/FINISH	
SIZE B	DRAWING NUMBER 102005-84A	SHEET 1 OF 1	



REGAL REXNORD CORPORATION
TYPICAL PERFORMANCE CURVE for AC MOTOR

Customer

Curve at

230 Volts
60 HZ
0.75 HP

HP 0.75

PHASE 1

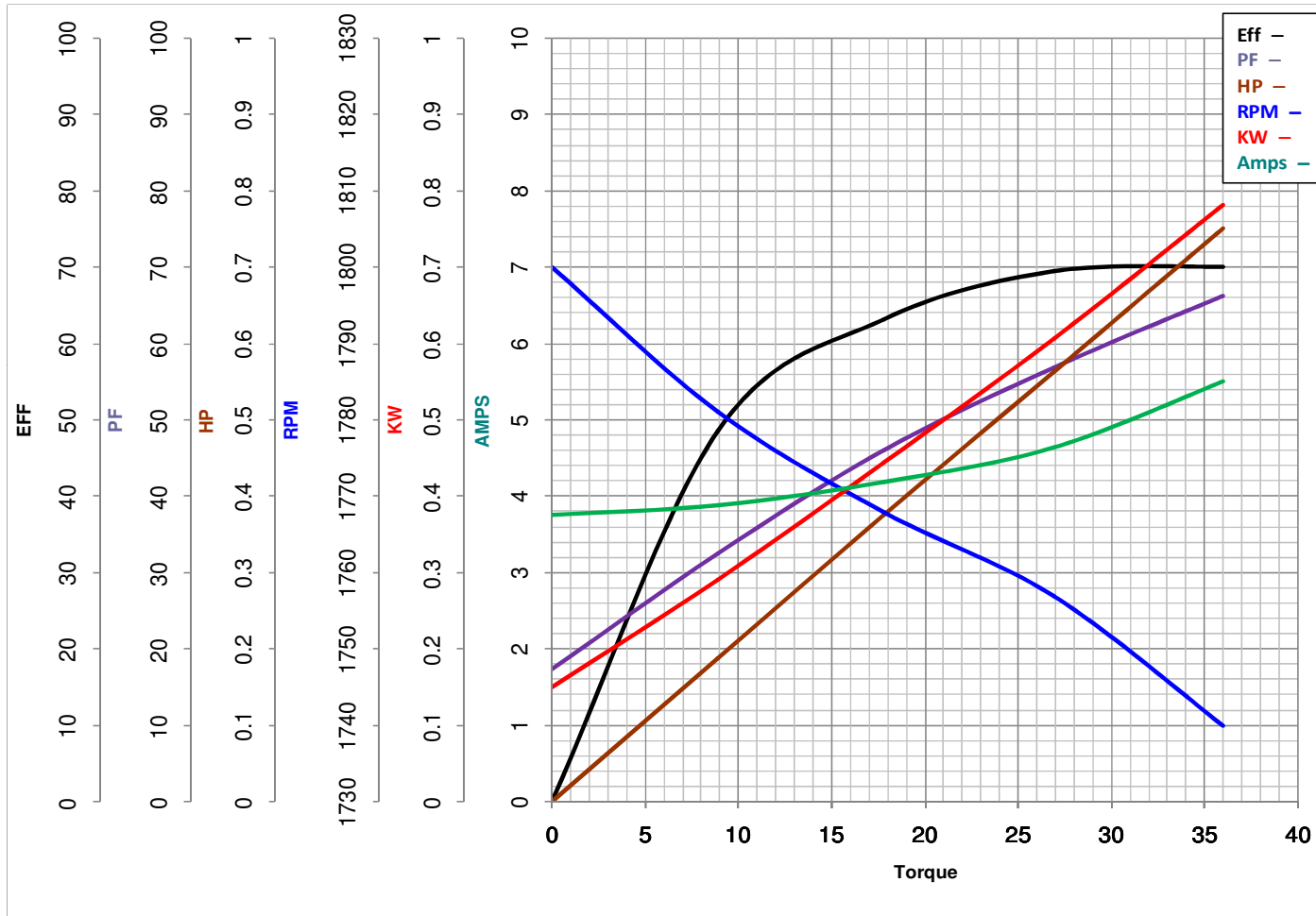
Model No 56C17G5326

VOLTS 115/208-230

Catalog No G874

HZ 60

RPM 1725



Torque in Oz.Ft

FL TORQUE 36 Oz.Ft
BD TORQUE 97.9 Oz.Ft
LR TORQUE 133 Oz.Ft

FL AMPS 11/5.4-5.5
PU TORQUE 72.6 Oz.Ft
LR AMPS 30.5

WINDING ZC4147-3

Date 1/10/2019