

PRODUCT INFORMATION PACKET



Model No: 056C34D2106

Catalog No: D118

General Purpose Motor, 1 HP, 1 Ph, 60 Hz, 115/208-230 V, 3600 RPM, 56 Frame, DP



Regal and LEESON are trademarks of Regal Rexnord Corporation or one of its affiliated companies.
©2026 Regal Rexnord Corporation, All Rights Reserved. MC017097E



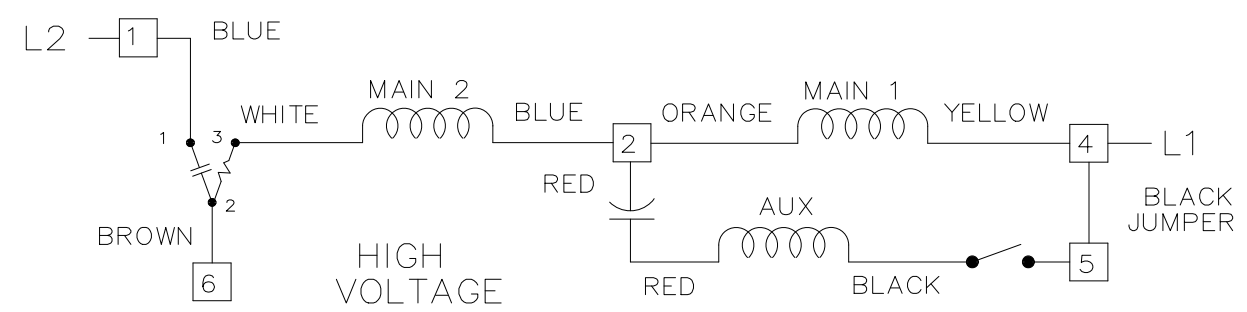
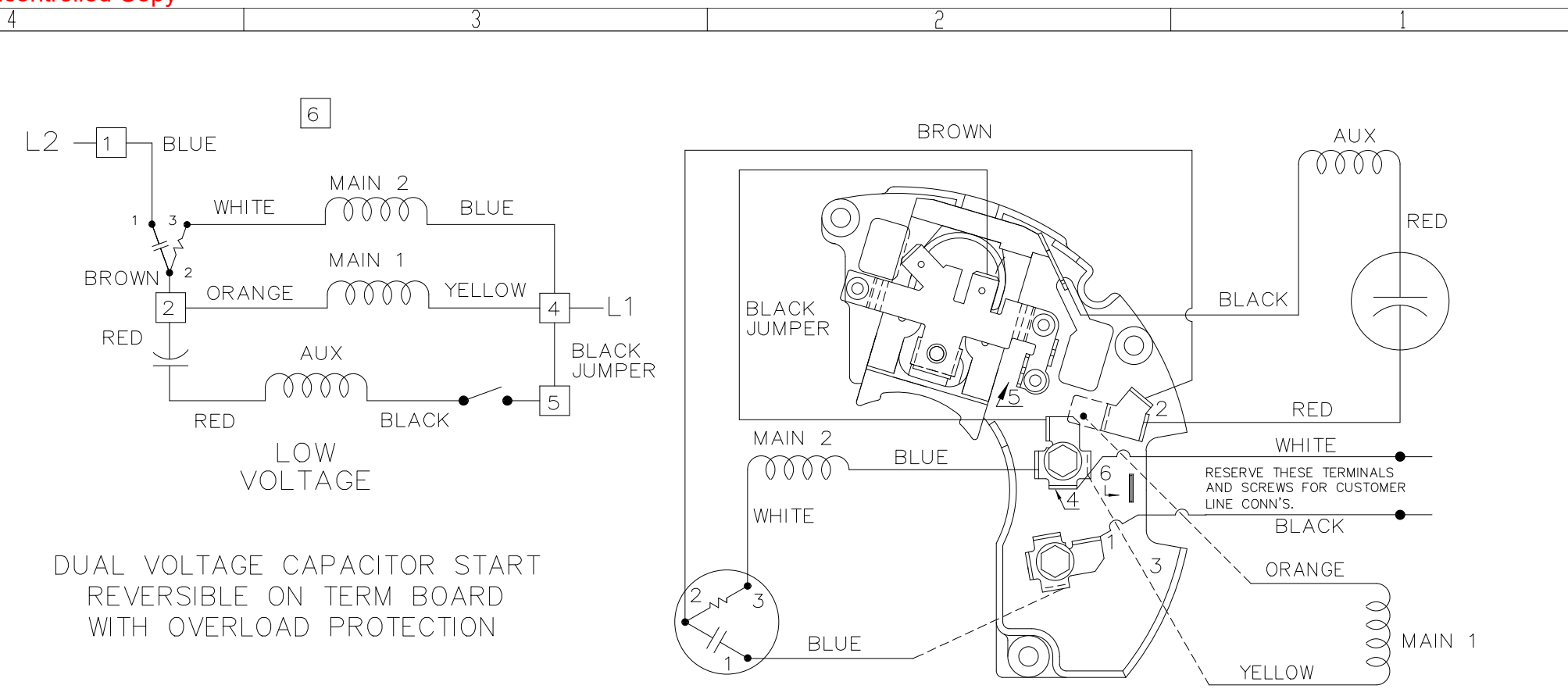


Nameplate Specifications

Phase	1	Output HP	1 Hp
Output KW	0.75 kW	Voltage	115/208-230 V
Speed	3450 rpm	Service Factor	1.15
Frame	56	Enclosure	Drip Proof
Thermal Protection	Automatic	Efficiency	72 %
Ambient Temperature	40 °C	Frequency	60 Hz
Current	12.0/6.2-6.0 A	Power Factor	76
Duty	Continuous	Insulation Class	B
Design Code	NO DESIGN CODE	KVA Code	K
Drive End Bearing Size	6203	Opp Drive End Bearing Size	6203
UL	Recognized	CSA	Y
CE	Y	IP Code	22
Number of Speeds	1		

Technical Specifications

Electrical Type	Capacitor Start Induction Run	Starting Method	Across The Line
Poles	2	Rotation	Selective Counterclockwise
Resistance Main	0 Ohms	Mounting	Resilient Base
Motor Orientation	Horizontal	Drive End Bearing	Ball
Opp Drive End Bearing	Ball	Frame Material	Rolled Steel
Shaft Type	NEMA 56	Overall Length	12.22 in
Frame Length	8.25 in	Shaft Diameter	0.625 in
Shaft Extension	1.97 in	Assembly/Box Mounting	F1 ONLY
Outline Drawing	A-SS403620-825	Connection Drawing	A-EE9002M



FOR HIGH VOLTAGE
CONNECT BROWN TERM 2 TO TERM 6.
CONNECT BLUE TERM 4 TO TERM 2.

TO REVERSE ROTATION EITHER
VOLTAGE INTERCHANGE RED
LEAD WITH BLACK LEAD.

DRAWING REVISION 4	REVISION BY KVDG	REV DATE/ DATE 05/06/2025	TOLERANCES (EXCEPT AS NOTED): DEC. .INCH —mm ANGLE .X ±0.1 [±3] ±0.5° .XX ±0.01 [±0.3] .XXX ±0.005 [±0.13] .XXXX ±0.0005 [±0.013]	DRAWN BY BW	Regal Beloit America, Inc.
REQUEST NUMBER ECR-0242555	APPROVED BY DS	DATE 05/06/2025	REMOVE BURRS & BREAK SHARP EDGES: .003/.015 [.08/.38] X 45 CORNER FILLETS: R.02 [.5] MACHINED SURFACES: 125/ 3.2 INCH / mm	DATE 02-22-1990	
REQUEST NUMBER DESCRIPTION UPDATED THE DRAWING TO RRX TEMPLATE.				APPROVED BY GK	DESCRIPTION CONNECTION DIAGRAM 48 FR. - DUAL VOLTAGE REVERSIBLE
COPYRIGHT (PER REVISION DATE) REGAL BELOIT AMERICA, INC. ALL RIGHTS RESERVED. PROPRIETARY AND CONFIDENTIAL INFORMATION - THIS DOCUMENT IS THE PROPERTY OF REGAL BELOIT AMERICA, INC. (OWNER) AND CONTAINS OWNER'S PROPRIETARY INFORMATION. ANY PERSON, CORPORATION OR OTHER FIRM RECEIVING IT IS DEEMED, BY RECEIVING IT, TO AGREE THAT IT, AND/OR ANY PART OF IT, SHALL NOT BE DISCLOSED TO ANY PERSON, CORPORATION OR OTHER ENTITY, DUPLICATED, AND/OR USED, EXCEPT AS EXPRESSLY APPROVED IN WRITING IN ADVANCE BY OWNER. THIS DOCUMENT SHALL BE RETURNED TO OWNER UPON REQUEST. IT MAY BE SUBJECT TO CERTAIN RESTRICTIONS UNDER APPLICABLE EXPORT CONTROL LAWS AND REGULATIONS.				DATE 02-22-1990	MAT'L
			THIRD ANGLE PROJECTION	SIZE B	DRAWING NUMBER EE9002M

CERTIFICATION DATA SHEET

Model#: 56C34D2106 G
CONN. DIAGRAM: A-EE9002M
OUTLINE: A-SS403620-825

WINDING#: CE482193 NONE 3
ASSEMBLY: F1 ONLY

TYPICAL MOTOR PERFORMANCE DATA

HP	KW	SYNC. RPM	F.L. RPM	FRAME	ENCLOSURE	KVA CODE	DESIGN
1	.75	3600	3450	56	DP	K	NO DESIGN CODE

PH	Hz	VOLTS	FL AMPS	START TYPE	DUTY	INSL	S.F	AMB°C	ELEVATION
1	60	115/208-230	12/6.2-6	ACROSS THE LINE	CONTINUOUS	B3	1.15	40	3300

FULL LOAD EFF: 72	3/4 LOAD EFF: 0	1/2 LOAD EFF: 0	GTD. EFF	ELEC. TYPE	NO LOAD AMPS
FULL LOAD PF: 76	3/4 LOAD PF: 0	1/2 LOAD PF: 0	0	CAP START IND RUN	7.6 / 3.8

F.L. TORQUE	LOCKED ROTOR AMPS	L.R. TORQUE	B.D. TORQUE	F.L. RISE°C
23.8 LB-FT	74.4 / 37.2	40.5 LB-FT -	65.9 LB-FT -	60

SOUND PRESSURE @ 3 FT.	SOUND POWER	ROTOR WK^2	MAX. WK^2	SAFE STALL TIME	STARTS /HOUR	APPROX. MOTOR WGT
0 dBA	10 dBA	0 LB-FT^2	0 LB-FT^2	10 SEC.	0	0 LBS.

***** SUPPLEMENTAL INFORMATION *****

DE BRACKET TYPE	ODE BRACKET TYPE	MOUNT TYPE	ORIENTATION	SEVERE DUTY	HAZARDOUS LOCATION	DRIP COVER	SCREENS	PAINT
STANDARD	STANDARD	RESILIENT BASE	HORIZONTAL	FALSE	NONE	FALSE	NONE	GRAY (POWDER)

BEARINGS		GREASE	SHAFT TYPE	SPECIAL DE	SPECIAL ODE	SHAFT MATERIAL	FRAME MATERIAL
DE	OPE						
BALL	BALL	POLYREX EM	STANDARD 56	NONE	NONE	1144 STRESSPROOF (C-223)	ROLLED STEEL
6203	6203						

THERMO-PROTECTORS				THERMISTORS	CONTROL	SPACE /n HEATERS
THERMOSTATS	PROTECTORS	WDG RTDs	BRG RTDs			
NONE	AUTOMATIC	NONE	NONE	NONE	FALSE	NONE VOLTS

If Inverter equals NONE, contact factory for further information

*
N
O
T
E
S
*

INVERTER TORQUE: NONE
INV. HP SPEED RANGE: NONE
ENCODER: NONE
NONE NONE
NONE NONE PPR
BRAKE: NONE NONE
NONE P/N NONE
NONE NONE
NONE FT-LB NONE V NONE Hz

DATE: 06/21/2017 09:22:30 AM
 FORM 3531 REV.3 02/07/99

** Subject to change without notice.



REGAL REXNORD CORPORATION
TYPICAL PERFORMANCE CURVE for AC MOTOR

Customer

Curve at

230
60
1

Volts
HZ
HP

HP 1.00

PHASE 1

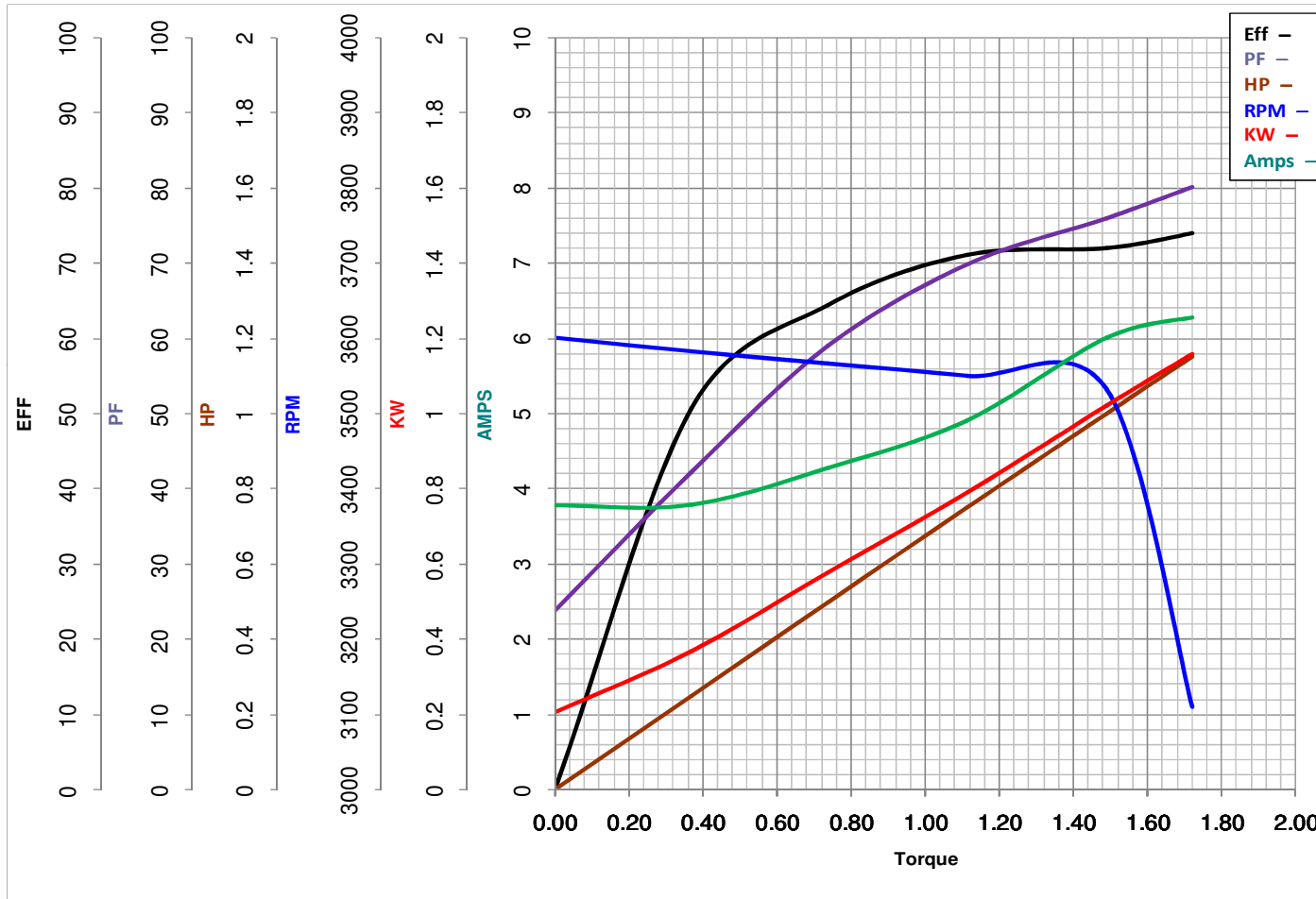
Model No 56C34D2106

VOLTS 115/208-230

Catalog No D118

HZ 60

RPM 3450



Torque in Lb.Ft

FL TORQUE 1.488 Lb.Ft
BD TORQUE 4.1 Lb.Ft
LR TORQUE 2.531 Lb.Ft

FL AMPS 12/6.2-6
PU TORQUE 2.5 Lb.Ft
LR AMPS 37.2

WINDING CE482193-3

Date 1/21/2019

EC Declaration of Conformity

The undersigned representing
the manufacturer:

Regal Beloit America
1946 West Cook Road
Fort Wayne, IN 46818

and the authorized representative
established within the Community:

Regal Beloit Italy
Via Modena, 18
24040 Ciserano(BG) - Italy

are committed to providing customers with products that comply with applicable regulations and international protocols to which they are subject, including the requirements of the European Parliament Directive on the Harmonization of the laws relating to electrical equipment designed for use within certain voltage limits (2014/35/EU).

Regal Beloit America declares that the following product(s), to which this declaration relates, are in conformity with the relevant sections of the EC standards listed below.

This statement supersedes any statements previously issued pertaining to the product(s) listed below and is subject to change without notice.

Model No : 056C34D2106

(Model No. may contain prefix and/or suffix characters)

Catalog No : D118

Rework No : N/A

Directives :

Low Voltage Directive 2014/35/EU

Harmonized Standards Used :

EN 60034-1: 2010 (IEC 60034-1: 2010)

EN 60034-5: 2001/A1:2007 (IEC 60034-5: 2000/A1:2006)

Authorized Representative:



Zach Stauffer
Vice President, Engineering

Authorized Representative in the Community:



Stefano Casiraghi
Technology Director, Engineering

Created on 07/08/2025

CE 25