

PRODUCT INFORMATION PACKET



Model No: 056C34D2121

Catalog No: J057

General Purpose Pump Motor, 1 HP, 1 Ph, 60 Hz, 115/208-230 V, 3600 RPM, 56J Frame, DP



Regal and LEESON are trademarks of Regal Rexnord Corporation or one of its affiliated companies.
©2026 Regal Rexnord Corporation, All Rights Reserved. MC017097E



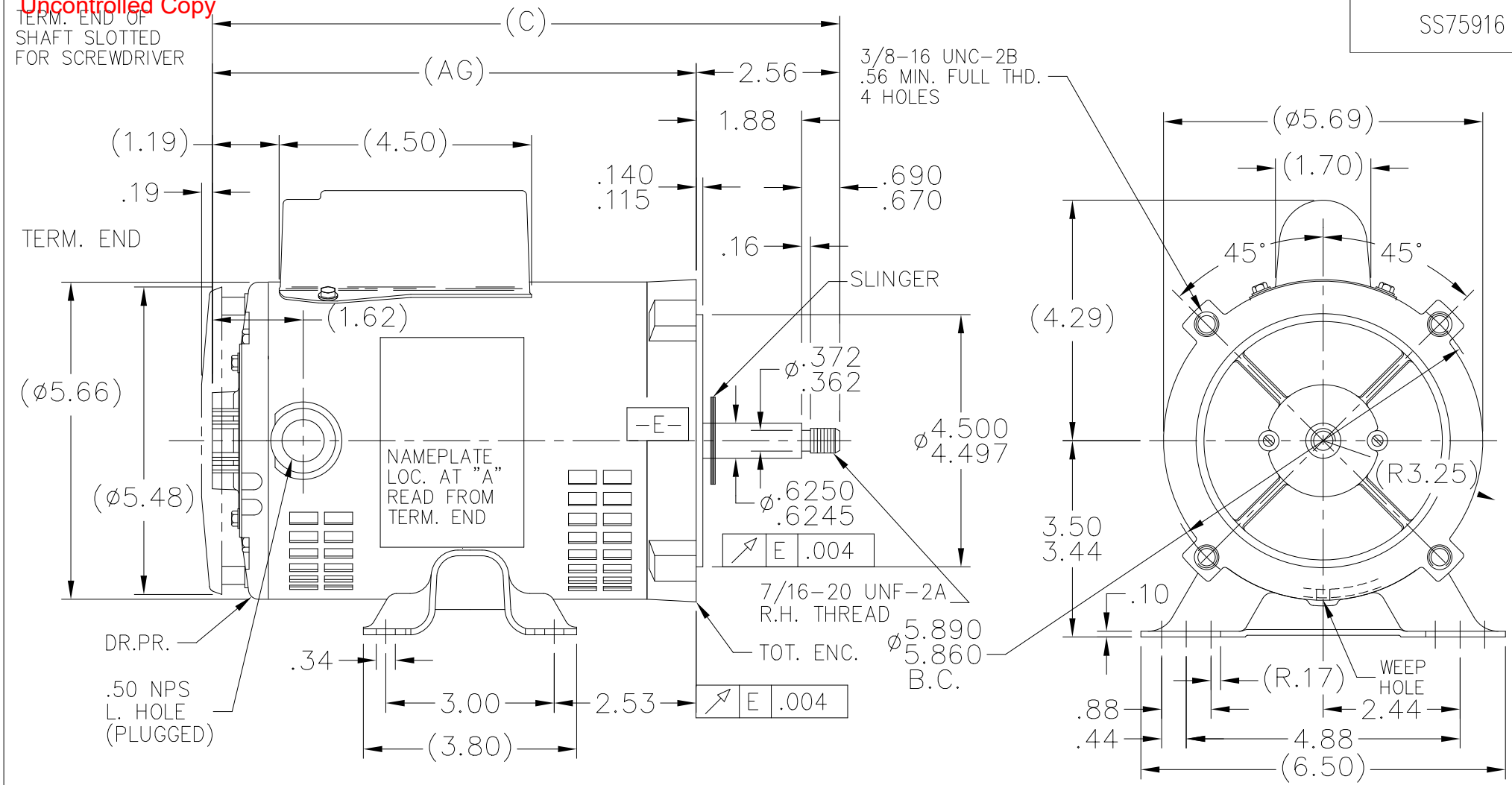


Nameplate Specifications

Phase	1	Output HP	1 Hp
Output KW	0.75 kW	Voltage	115/208-230 V
Speed	3450 rpm	Service Factor	1.4
Frame	56J	Enclosure	Drip Proof
Thermal Protection	Automatic	Efficiency	72 %
Ambient Temperature	40 °C	Frequency	60 Hz
Current	12.0/6.2-6.0 A	Power Factor	76
Duty	Continuous	Insulation Class	B
Design Code	NO DESIGN CODE	KVA Code	K
Drive End Bearing Size	6203	Opp Drive End Bearing Size	6203
UL	Recognized	CSA	Y
CE	Y	IP Code	22
Number of Speeds	1		

Technical Specifications

Electrical Type	Capacitor Start Induction Run	Starting Method	Across The Line
Poles	2	Rotation	Fixed Clockwise
Resistance Main	0 Ohms	Mounting	Rigid Base
Motor Orientation	Horizontal Or Shaft Down	Drive End Bearing	Ball
Opp Drive End Bearing	Ball	Frame Material	Rolled Steel
Shaft Type	T	Overall Length	12.44 in
Frame Length	8.00 in	Shaft Diameter	0.625 in
Shaft Extension	2.56 in	Assembly/Box Mounting	F1 ONLY
Outline Drawing	A-SS75916-800	Connection Drawing	A-EE9002V



DASH		C	AG		DASH		C	AG		DASH		C	AG	
625		10.69	8.12		700		11.44	8.88		775		12.19	9.62	
650		10.94	8.38		725		11.69	9.12		800		12.44	9.87	
675		11.19	8.62		750		11.94	9.38						

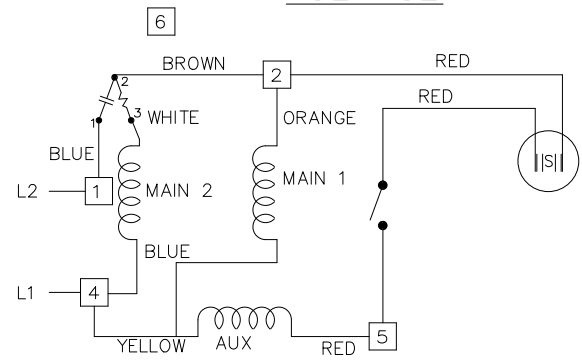
NO.	REVISION	BY & DATE	CHK	ANG	TOLERANCES UNLESS SPECIFIED		FINISH	DRAWN DD 7/1/1993
					DEC.	INCHES		
5	CHG FROM MARATHON TO RRX TEMPALTE PER ECR-0233453	MD 5/7/2024	DS	DEC.	INCHES			CHK MOL 7/2/1993
4	UPDATED DRAWING	TJW 05/11/2007		.X	±.1			APPD GK 7/2/1993
3	ADDED NEW FRONT BRACKET CN20124	RJM 4/4/1995		.XX	±.03		TITLE OUTLINE	SCALE 3=8
2	PHANTOM DRIPCOVER - ADDED SLINGER CN16315	KL 9/28/1993		.XXX	±.005			REF
1	NEW DRAWING 4041657	DD 7/12/1993		.XXXX	±.0005		MAT'L.	FMF
					±7'30"		FINISH	PREV

Regal Rexnord Regal Beloit America, Inc.

THIS DRAWING IN DESIGN AND DETAIL IS OUR PROPERTY AND MUST NOT BE USED EXCEPT IN CONNECTION WITH OUR WORK ALL RIGHTS OF DESIGN AND INVENTION ARE RESERVED THIS IS AN ELECTRONICALLY GENERATED DOCUMENT - DO NOT SCALE THIS PRINT

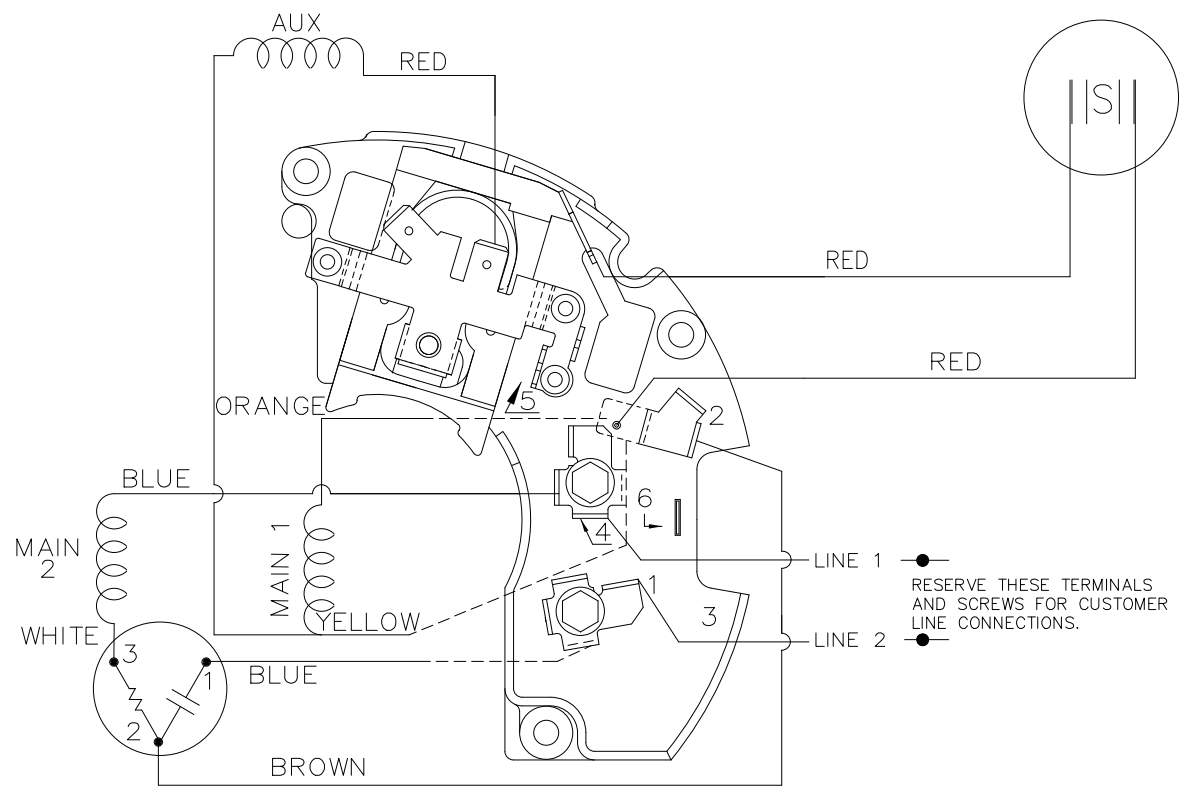
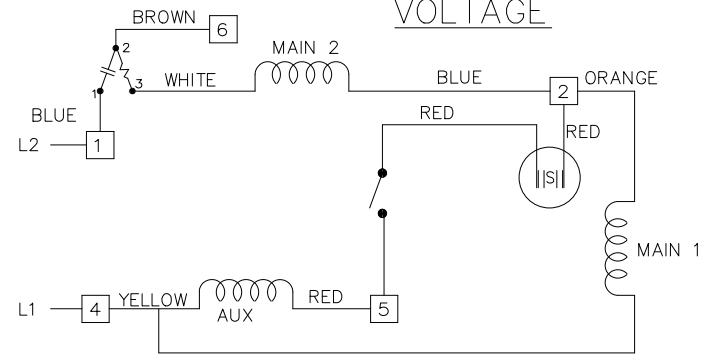
4 3 2 1

LOW VOLTAGE



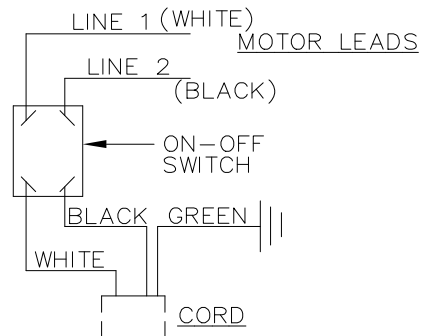
DUAL VOLTAGE CAPACITOR START
NON REVERSIBLE
WITH OVERLOAD PROTECTION

HIGH VOLTAGE



RESERVE THESE TERMINALS
AND SCREWS FOR CUSTOMER
LINE CONNECTIONS.

USE WHEN CONNECTING CORD AND SWITCH
INSIDE CONDUIT BOX.



VIEWING TERM END

LOW VOLTAGE CW ROTATION ONLY

FOR HIGH VOLTAGE
CONNECT BROWN TERM 2 TO TERM 6.
CONNECT BLUE TERM 4 TO TERM 2.

DASH LINES INDICATE LEADS CONNECTED
TO MOTOR SIDE OF SWITCH.

DRAWING REVISION B	REVISION BY AARREOLA	REV DATE / ° DATE 09-09-2025	TOLERANCES (EXCEPT AS NOTED): DEC. INCH mm ANGLE .X ±0.1 [±3] ±0.5° .XX ±0.01 [±0.3] .XXX ±0.005 [±0.13] .XXXX ±0.0005 [±0.013]	DRAWN BY SMC	Regal Beloit America, Inc.
REQUEST NUMBER ECR-0245695	APPROVED BY AARREOLA	DATE 09-09-2025	REMOVE BURRS & BREAK SHARP EDGES: .003/.015 [.08/.38] X 45 CORNER FILLETS: R.02 [.5] MACHINED SURFACES: 125 / 3.2 mm DIMENSIONS IN [BRACKETS] ARE FOR REFERENCE ONLY	DATE 12-11-1990	
REQUEST NUMBER DESCRIPTION SEE ECR				APPROVED BY GK	DESCRIPTION CONNECTION DIAGRAM 48 FR. - DUAL VOLTAGE NON REVERSIBLE
COPYRIGHT (PER REVISION DATE) REGAL BELOIT AMERICA, INC. ALL RIGHTS RESERVED. PROPRIETARY AND CONFIDENTIAL INFORMATION - THIS DOCUMENT IS THE PROPERTY OF REGAL BELOIT AMERICA, INC. (OWNER) AND CONTAINS OWNER'S PROPRIETARY INFORMATION. ANY PERSON, CORPORATION OR OTHER FIRM RECEIVING IT IS DEEMED, BY RECEIVING IT, TO AGREE THAT IT, AND/OR ANY PART OF IT, SHALL NOT BE DISCLOSED TO ANY PERSON, CORPORATION OR OTHER ENTITY, DUPLICATED, AND/OR USED, EXCEPT AS EXPRESSLY APPROVED IN WRITING IN ADVANCE BY OWNER. THIS DOCUMENT SHALL BE RETURNED TO OWNER UPON REQUEST. IT MAY BE SUBJECT TO CERTAIN RESTRICTIONS UNDER APPLICABLE EXPORT CONTROL LAWS AND REGULATIONS.				DATE 12-11-1990	MAT'L
				REFERENCE	PROCESS/FINISH
				THIRD ANGLE PROJECTION	SIZE B
				DRAWING NUMBER A-EE9002V	SHEET 1 OF 1

4 3 2 1



REGAL REXNORD CORPORATION
TYPICAL PERFORMANCE CURVE for AC MOTOR

Customer

Curve at

230

Volts

HP 1.00

PHASE 1

Model No 56C34D2121

60

HZ

VOLTS 115/208-230

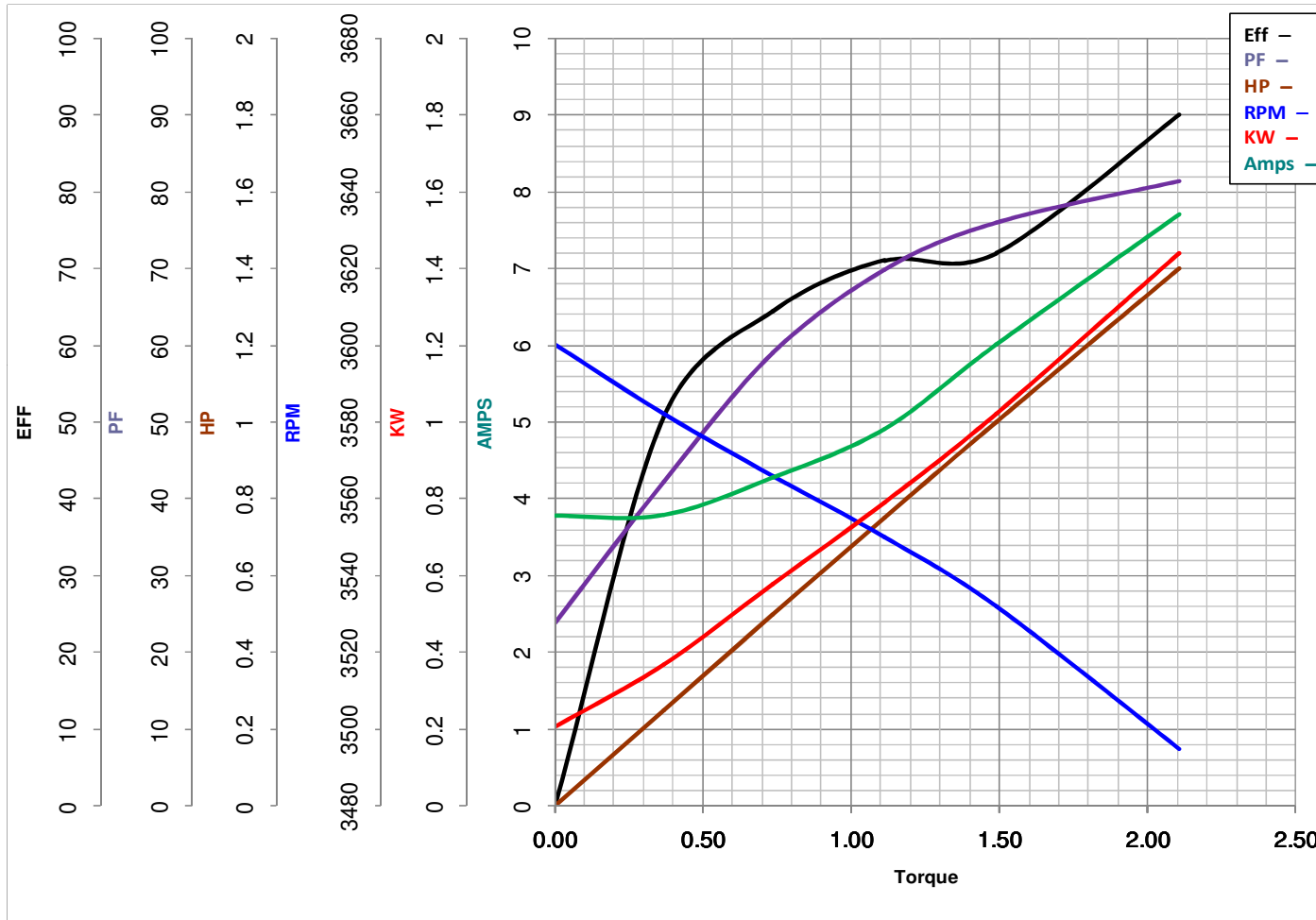
1

HP

Catalog No J057

HZ 60

RPM 3450



Torque in Lb.Ft

FL TORQUE 1.488 Lb.Ft
 BD TORQUE 4.1 Lb.Ft
 LR TORQUE 2.531 Lb.Ft

FL AMPS 12/6.2-6
 PU TORQUE 2.5 Lb.Ft
 LR AMPS 37.2

WINDING CE482193-3

Date 1/21/2019

EC Declaration of Conformity

The undersigned representing
the manufacturer:

Regal Beloit America
1946 West Cook Road
Fort Wayne, IN 46818

and the authorized representative
established within the Community:

Regal Beloit Italy
Via Modena, 18
24040 Ciserano(BG) - Italy

are committed to providing customers with products that comply with applicable regulations and international protocols to which they are subject, including the requirements of the European Parliament Directive on the Harmonization of the laws relating to electrical equipment designed for use within certain voltage limits (2014/35/EU).

Regal Beloit America declares that the following product(s), to which this declaration relates, are in conformity with the relevant sections of the EC standards listed below.

This statement supersedes any statements previously issued pertaining to the product(s) listed below and is subject to change without notice.

Model No : 056C34D2121

(Model No. may contain prefix and/or suffix characters)

Catalog No : J057

Rework No : N/A

Directives :

Low Voltage Directive 2014/35/EU

Harmonized Standards Used :

EN 60034-1: 2010 (IEC 60034-1: 2010)

EN 60034-5: 2001/A1:2007 (IEC 60034-5: 2000/A1:2006)

Authorized Representative:



Zach Stauffer
Vice President, Engineering

Authorized Representative in the Community:



Stefano Casiraghi
Technology Director, Engineering

Created on 07/08/2025

CE 25