

PRODUCT INFORMATION PACKET



Model No: 056C34F5310

Catalog No: G359

General Purpose Motor, 1 HP, 1 Ph, 60 Hz, 115/208-230 V, 3600 RPM, 56 Frame, TEFC



Regal and LEESON are trademarks of Regal Rexnord Corporation or one of its affiliated companies.
©2025 Regal Rexnord Corporation, All Rights Reserved. MC017097E



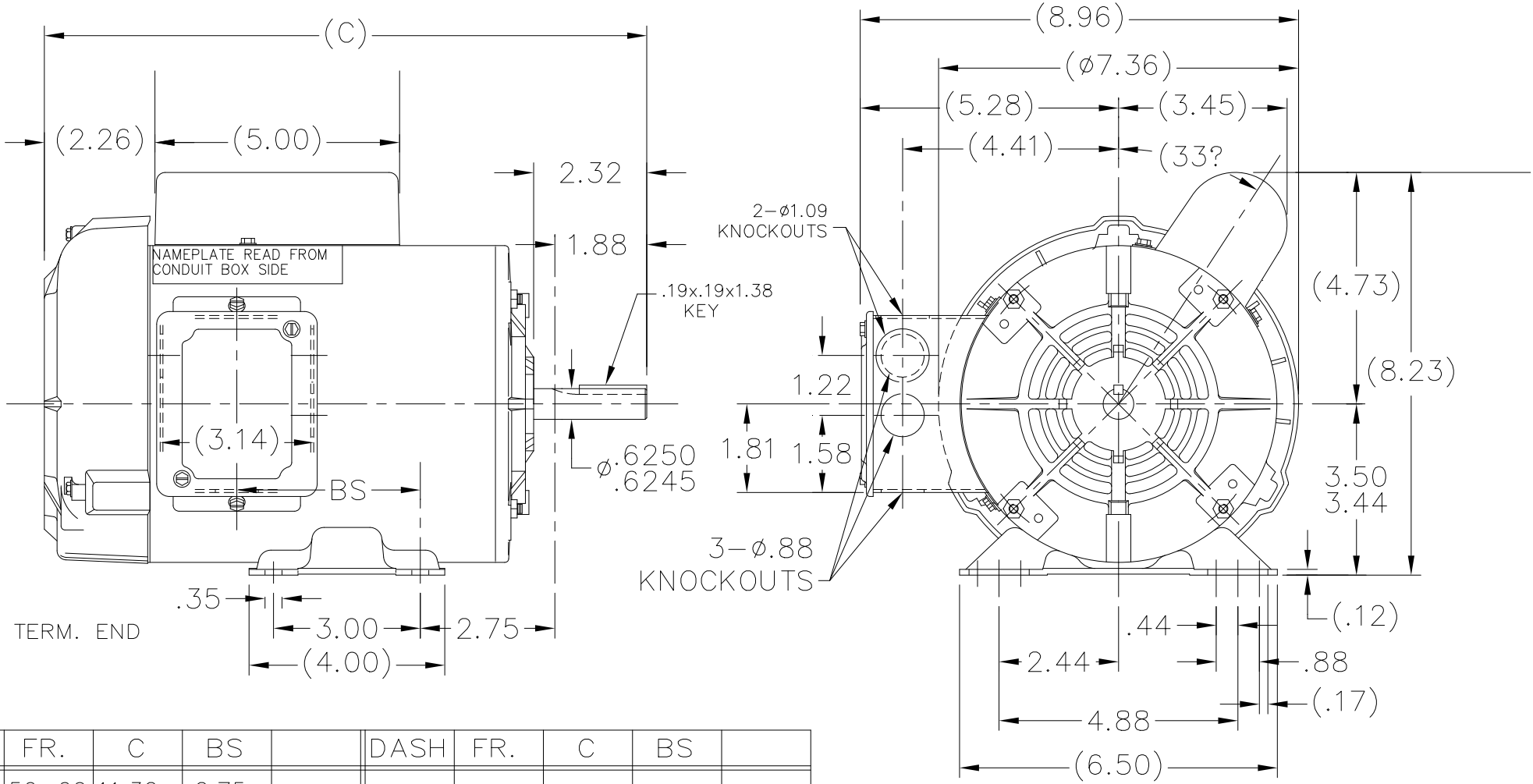


Nameplate Specifications

Phase	1	Output HP	1 Hp
Output KW	0.75 kW	Voltage	115/208-230 V
Speed	3450 rpm	Service Factor	1.15
Frame	56	Enclosure	Totally Enclosed Fan Cooled
Thermal Protection	No Protection	Efficiency	72 %
Ambient Temperature	40 °C	Frequency	60 Hz
Current	12.4/6.7-6.2 A	Power Factor	76
Duty	Continuous	Insulation Class	B
Design Code	N	KVA Code	K
Drive End Bearing Size	6203	Opp Drive End Bearing Size	6203
UL	Recognized	CSA	Y
CE	Y	IP Code	43
Number of Speeds	1		

Technical Specifications

Electrical Type	Capacitor Start Induction Run	Starting Method	Across The Line
Poles	2	Rotation	Selective Counterclockwise
Resistance Main	0 Ohms	Mounting	Rigid Base
Motor Orientation	Horizontal	Drive End Bearing	Ball
Opp Drive End Bearing	Ball	Frame Material	Rolled Steel
Shaft Type	NEMA 56	Overall Length	12.32 in
Frame Length	7.06 in	Shaft Diameter	0.625 in
Shaft Extension	2.32 in	Assembly/Box Mounting	F1 ONLY
Connection Drawing	102005-51	Outline Drawing	A-100093-706



DASH	FR.	C	BS		DASH	FR.	C	BS	
606	56-60	11.32	2.75						
656	56-65	11.82	3.25						
706	56-70	12.32	3.75						
756	56-75	12.82	4.25						

NO.	REVISION	BY & DATE	CHK	TOLERANCES UNLESS SPECIFIED		FINISH
				DEC.	INCHES	
				.X	±.1	
				.XX	±.03	
3	CHG FROM MARATHON TO REGAL REXNORD LOGO	KVDG 05-10-2024	DS	.XXX	±.005	
2	REDRAWN ON CAD	SC 08-06-1990		.XXXX	±.0005	
				ANG	±7'30"	

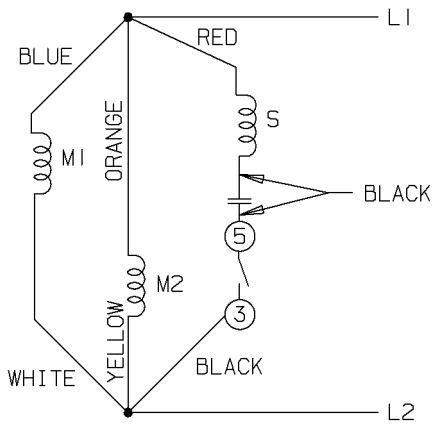
Regal Rexnord Regal Beloit America, Inc.

TITLE OUTLINE
56 FR. - BB - TEFC - 1Ø

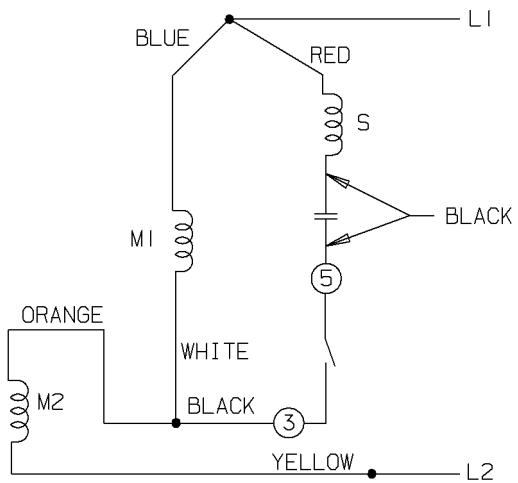
MAT'L.

DRAWN SC 08-06-1990
CHK ML 08-06-1990
APPD GK 08-06-1990
SCALE 5=16
REF
FMF
PREV

LOW VOLTAGE - C.C.W.

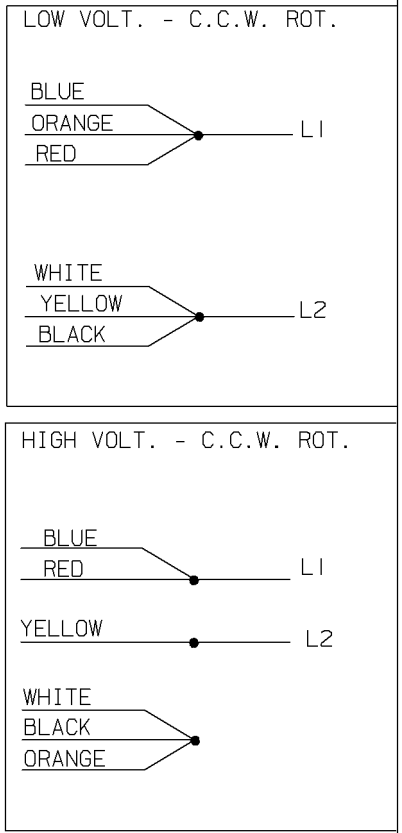
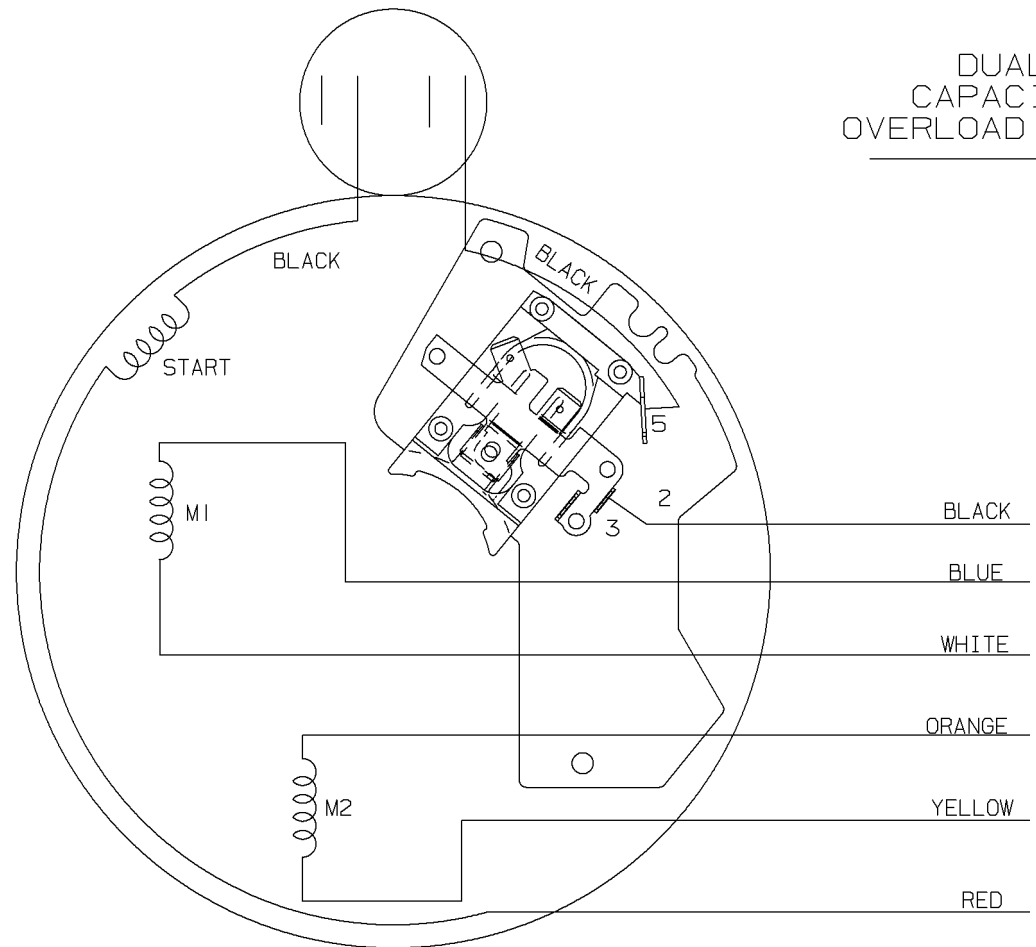


HIGH VOLTAGE - C.C.W.



A-102005-51

DUAL VOLTAGE
CAPACITOR START NO
OVERLOAD SELECT ROTATION



FOR C.W. ROTATION EITHER
VOLTAGE INTERCHANGE
RED WITH BLACK LEAD

				✓ MAX. SURFACE ROUGHNESS UNLESS NOTED OTHERWISE	UNLESS OTHERWISE SPECIFIED DIMENSIONS ARE IN INCHES TOL. ON XX± XXX±.005 XXXX±.0005 ANGLES±			
6	KVDG	CHD FROM MARATHON TO REGAL REXNORD LOGO	DS	MATL SPEC	 Regal Beloit America, Inc.	DRAWN BY	CAV	06-18-1999
5	06-17-1999	REDRAWN	CAV	FINISH		CHKD BY	ML	06-18-1999
REV	DATE	CHANGE	NAME	REFERENCE DRW.		APPD BY	GK	06-18-1999
				PART NAME	CONNECTION DIAGRAM		DRWG NO	A-102005-51



REGAL REXNORD CORPORATION
TYPICAL PERFORMANCE CURVE for AC MOTOR

Customer

Curve at

230
60
1

Volts
HZ
HP

HP 1.00

PHASE 1

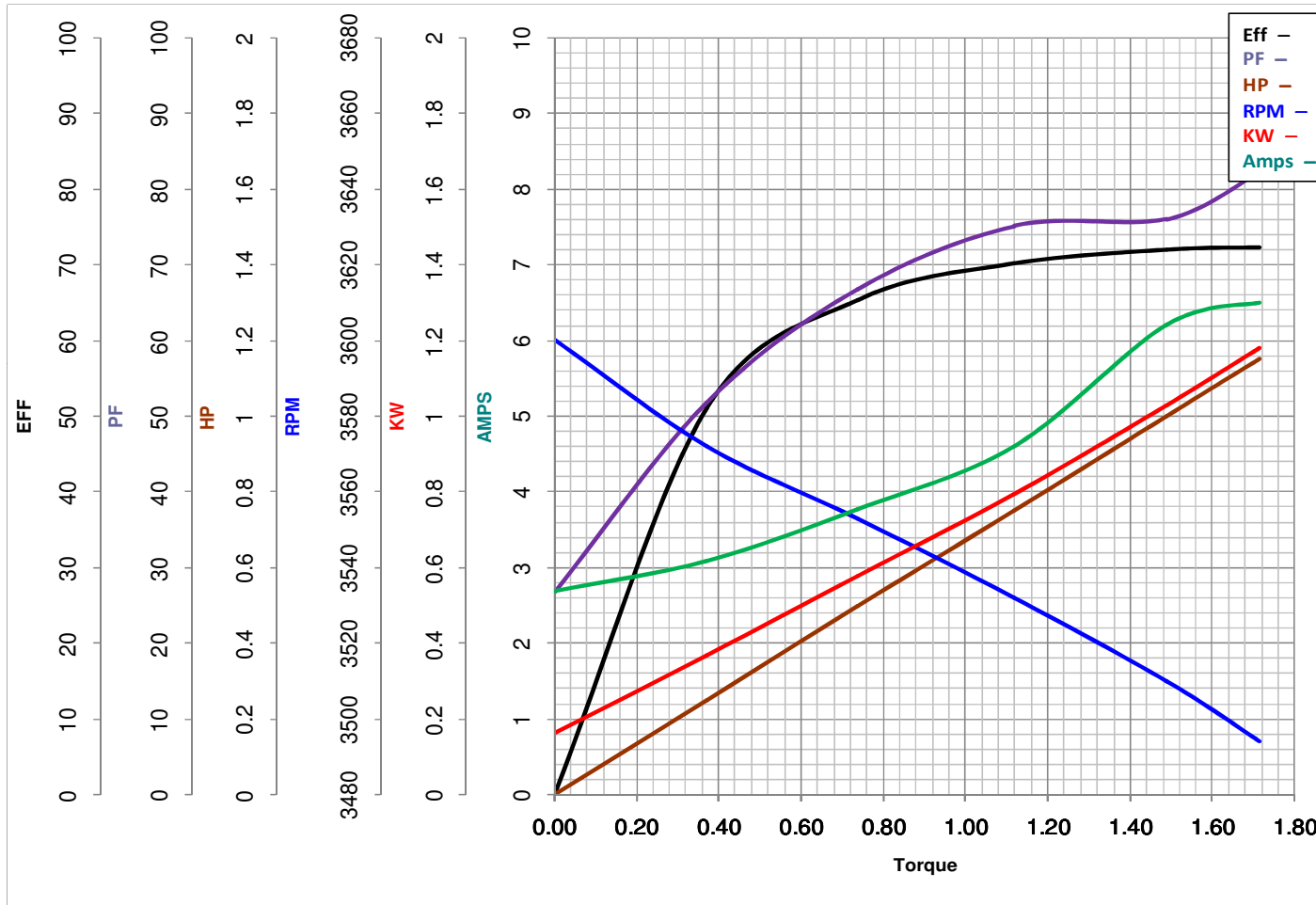
Model No 56C34F5310

VOLTS 115/208-230

Catalog No G359

HZ 60

RPM 3450



Torque in Lb.Ft

FL TORQUE 1.488 Lb.Ft
BD TORQUE 3.9 Lb.Ft
LR TORQUE 4.713 Lb.Ft

FL AMPS 12.4/6.7-6.2
PU TORQUE 3.5 Lb.Ft
LR AMPS 36.9

WINDING ZC223-3

Date 1/21/2019

EC Declaration of Conformity

The undersigned representing
the manufacturer:

Regal Beloit America
1946 West Cook Road
Fort Wayne, IN 46818

and the authorized representative
established within the Community:

Regal Beloit Italy
Via Modena, 18
24040 Ciserano(BG) - Italy

are committed to providing customers with products that comply with applicable regulations and international protocols to which they are subject, including the requirements of the European Parliament Directive on the Harmonization of the laws relating to electrical equipment designed for use within certain voltage limits (2014/35/EU).

Regal Beloit America declares that the following product(s), to which this declaration relates, are in conformity with the relevant sections of the EC standards listed below.

This statement supersedes any statements previously issued pertaining to the product(s) listed below and is subject to change without notice.

Model No : 056C34F5310

(Model No. may contain prefix and/or suffix characters)

Catalog No : G359

Rework No : N/A

Directives :

Low Voltage Directive 2014/35/EU

Harmonized Standards Used :

EN 60034-1: 2010 (IEC 60034-1: 2010)

EN 60034-5: 2001/A1:2007 (IEC 60034-5: 2000/A1:2006)

Authorized Representative:



Zach Stauffer
Vice President, Engineering

Authorized Representative in the Community:



Stefano Casiraghi
Technology Director, Engineering

Created on 07/08/2025

CE 25