

PRODUCT INFORMATION PACKET



Model No: 056S17D2062

Catalog No: B401

Fan and Blower Motor, 0.50 HP, 1 Ph, 60 Hz, 115 V, 1800 RPM, 56Y Frame, DP



Regal and LEESON are trademarks of Regal Rexnord Corporation or one of its affiliated companies.

©2025 Regal Rexnord Corporation, All Rights Reserved. MC017097E





Nameplate Specifications

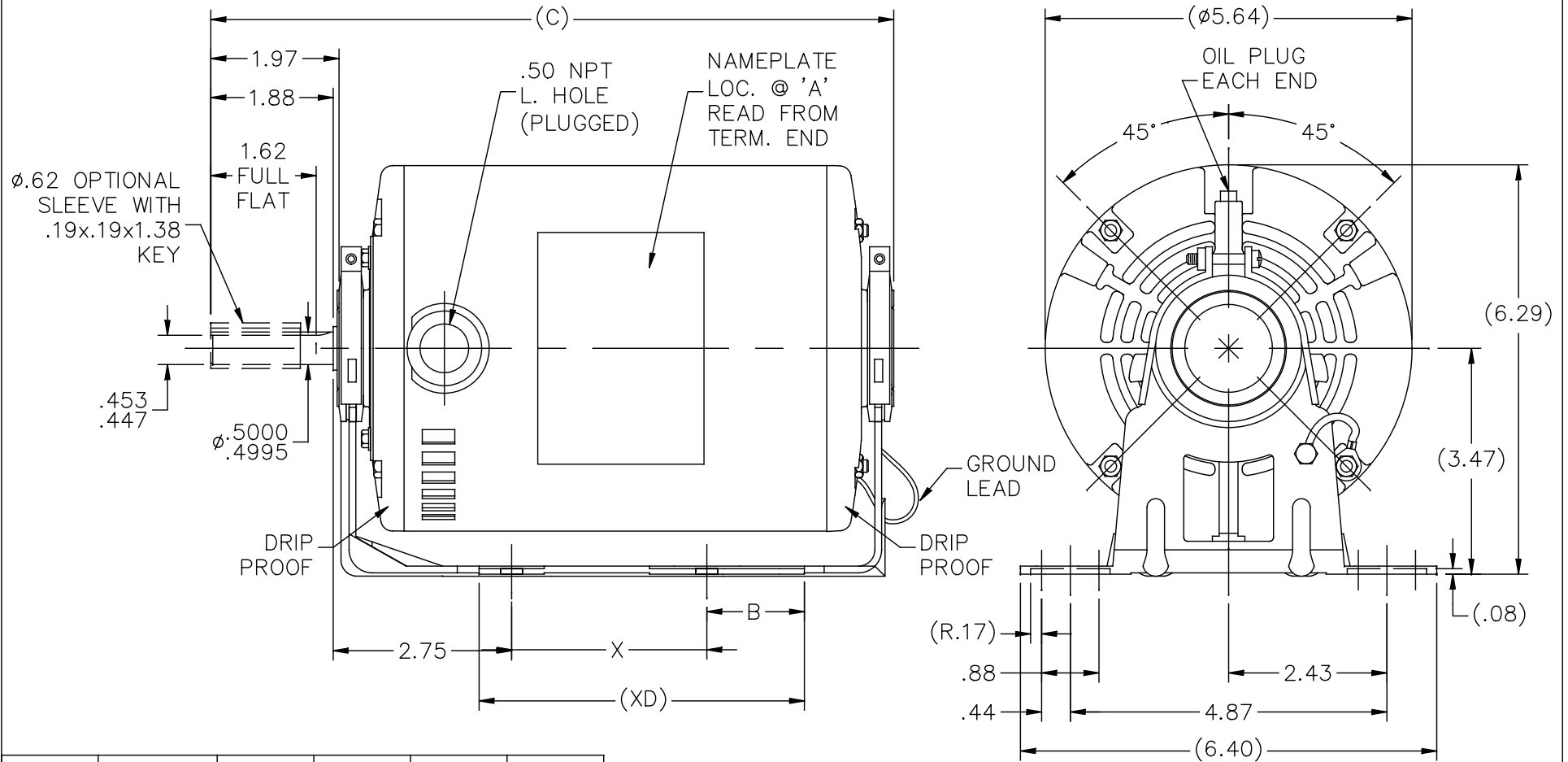
Phase	1	Output HP	0.50 Hp
Output KW	0.37 kW	Voltage	115 V
Speed	1725 rpm	Service Factor	1.0
Frame	56Y	Enclosure	Drip Proof
Thermal Protection	Automatic	Efficiency	68 %
Ambient Temperature	40 °C	Frequency	60 Hz
Current	7.0 A	Power Factor	67.5
Duty	Continuous	Insulation Class	B
Design Code	NO DESIGN CODE	KVA Code	M
Drive End Bearing Size	6203	Opp Drive End Bearing Size	6203
UL	Recognized	CSA	Y
CE	Y	IP Code	22
Number of Speeds	1		

Technical Specifications

Electrical Type	Split Phase	Starting Method	Across The Line
Poles	4	Rotation	Selective Counterclockwise
Resistance Main	0 Ohms	Mounting	Resilient Base
Motor Orientation	Horizontal	Drive End Bearing	Ball
Opp Drive End Bearing	Ball	Frame Material	Rolled Steel
Shaft Type	Single Special Extension	Overall Length	10.50 in
Frame Length	6.50 in	Shaft Diameter	0.625 in
Shaft Extension	1.97 in	Assembly/Box Mounting	F1 ONLY
Connection Drawing	A-EE7195	Outline Drawing	A-SS403815-650

This is an uncontrolled document once printed or downloaded and is subject to change without notice. Date Created:08/06/2025

SS403815

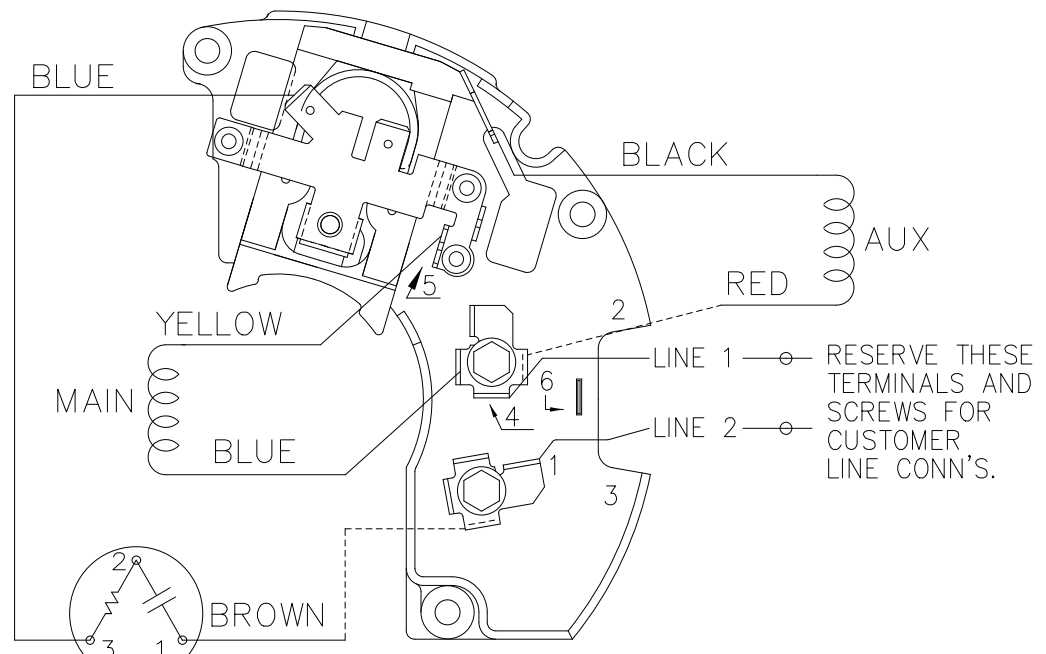
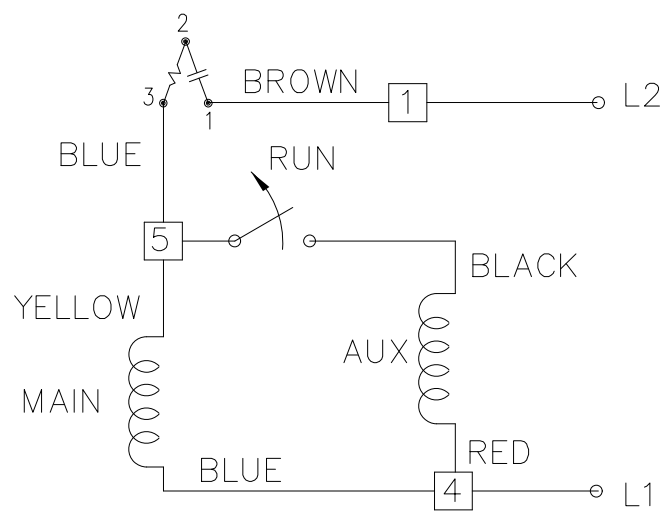


DASH	FRAME	C	XD	B	X
650	56	10.50	5.00	1.50	3.00

				TOLERANCES UNLESS SPECIFIED		MARATHON ELECTRIC	DRAWN SP 01-22-2009			
				DEC.	INCHES		CHK NB 01-22-2009	APPD SP 01-22-2009	SCALE 7=16	REF SS73719
				.X	±.1	TITLE OUTLINE 56 FR.				
				.XX	±.03					
				.XXX	±.005					
				.XXXX	±.0005					
01	UPDATED BASE LOCATION AS PER ECO-0089842		SL 12/03/15	SAI	±.0005	MAT'L.	FMF 07-2426			
NO.	REVISION		BY & DATE	CHK	ANG ±7'30"	FINISH	PREV			
THIS DRAWING IN DESIGN AND DETAIL IS OUR PROPERTY AND MUST NOT BE USED EXCEPT IN CONNECTION WITH OUR WORK ALL RIGHTS OF DESIGN AND INVENTION ARE RESERVED THIS IS AN ELECTRONICALLY GENERATED DOCUMENT - DO NOT SCALE THIS PRINT				RFP 01-22-2009	CAD FILE SS403815	SIZE A	DRAWING NO. SS403815	PAGE OF		REV. C
				DIST WP						

4 3 2 1

SINGLE VOLTAGE – SPLIT PHASE
REVERSIBLE ON TERM BOARD
WITH OVERLOAD PROTECTION



VIEWING TERMINAL END

C.C.W. ROTATION SHOWN.

FOR C.W. ROTATION INTERCHANGE
YELLOW & BLUE LEADS ON TERM 5 & 4.

DASH LINES INDICATE LEADS CONNECTED
TO MOTOR SIDE OF SWITCH.

DRAWING REVISION 06	REVISION BY KVDG	REV DATE/ DATE 05/06/2025	TOLERANCES (EXCEPT AS NOTED): DEC. INCH mm ANGLE .X ±0.1 [±3] ±0.5° .XX ±0.01 [±0.3] .XXX ±0.005 [±0.13] .XXXX ±0.0005 [±0.013]	DRAWN BY ML	Regal Beloit America, Inc.		
REQUEST NUMBER ECR-0242555	APPROVED BY DS	DATE 05/06/2025	REMOVE BURRS & BREAK SHARP EDGES: .003/.015 [.08/.38] X 45 CORNER FILLETS: R.02 [.5] MACHINED SURFACES: 125/ 3.2/ INCH mm/	DATE 01-27-1988			
REQUEST NUMBER DESCRIPTION UPDATED THE DRAWING TO RRX TEMPLATE.				APPROVED BY DRN	DESCRIPTION CONNECTION DIAGRAM		
COPYRIGHT (PER REVISION DATE) REGAL BELOIT AMERICA, INC. ALL RIGHTS RESERVED. PROPRIETARY AND CONFIDENTIAL INFORMATION - THIS DOCUMENT IS THE PROPERTY OF REGAL BELOIT AMERICA, INC. (OWNER) AND CONTAINS OWNER'S PROPRIETARY INFORMATION. ANY PERSON, CORPORATION OR OTHER FIRM RECEIVING IT IS DEEMED, BY RECEIVING IT, TO AGREE THAT IT, AND/OR ANY PART OF IT, SHALL NOT BE DISCLOSED TO ANY PERSON, CORPORATION OR OTHER ENTITY, DUPLICATED, AND/OR USED, EXCEPT AS EXPRESSLY APPROVED IN WRITING IN ADVANCE BY OWNER. THIS DOCUMENT SHALL BE RETURNED TO OWNER UPON REQUEST. IT MAY BE SUBJECT TO CERTAIN RESTRICTIONS UNDER APPLICABLE EXPORT CONTROL LAWS AND REGULATIONS.				DATE 03-11-1988	48 FR. - SINGLE VOLTAGE REVERSIBLE		
				REFERENCE	MAT'L	PROCESS/FINISH	
			mm DIMENSIONS IN [BRACKETS] ARE FOR REFERENCE ONLY	THIRD ANGLE PROJECTION	SIZE B	DRAWING NUMBER EE7195	SHEET 1 OF 1

4 3 2 1

FORM 3531 REV.3 02/07/99

** Subject to change without notice.



REGAL REXNORD CORPORATION
TYPICAL PERFORMANCE CURVE for AC MOTOR

Customer

Curve at

115

Volts

HP 0.50

PHASE 1

Model No 56S17D2062

60

HZ

VOLTS 115

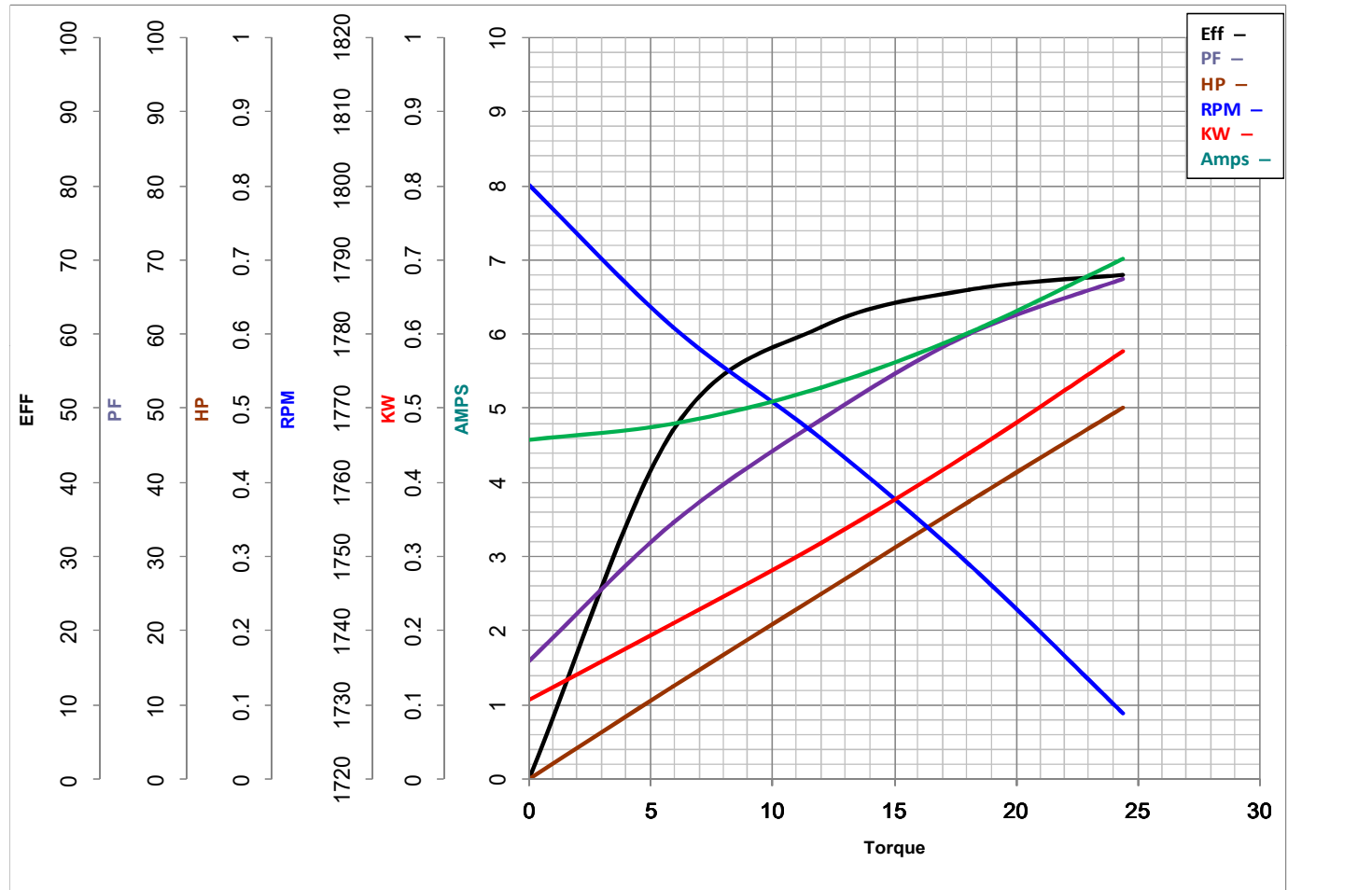
Catalog No B401

0.5

HP

HZ 60

RPM 1725



Torque in Oz.Ft

FL TORQUE 24.4 Oz.Ft
BD TORQUE 45.7 Oz.Ft
LR TORQUE 29.9 Oz.Ft

FL AMPS 7
PU TORQUE 21.4 Oz.Ft
LR AMPS 44.8

WINDING SE48452-1

Date 1/22/2019

EC Declaration of Conformity

The undersigned representing
the manufacturer:

Regal Beloit America
1946 West Cook Road
Fort Wayne, IN 46818

and the authorized representative
established within the Community:

Regal Beloit Italy
Via Modena, 18
24040 Ciserano(BG) - Italy

are committed to providing customers with products that comply with applicable regulations and international protocols to which they are subject, including the requirements of the European Parliament Directive on the Harmonization of the laws relating to electrical equipment designed for use within certain voltage limits (2014/35/EU).

Regal Beloit America declares that the following product(s), to which this declaration relates, are in conformity with the relevant sections of the EC standards listed below.

This statement supersedes any statements previously issued pertaining to the product(s) listed below and is subject to change without notice.

Model No : 056S17D2062

(Model No. may contain prefix and/or suffix characters)

Catalog No : B401

Rework No : N/A

Directives :

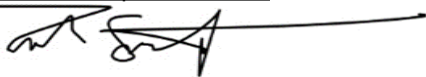
Low Voltage Directive 2014/35/EU

Harmonized Standards Used :

EN 60034-1: 2010 (IEC 60034-1: 2010)

EN 60034-5: 2001/A1:2007 (IEC 60034-5: 2000/A1:2006)

Authorized Representative:



Zach Stauffer
Vice President, Engineering

Authorized Representative in the Community:



Stefano Casiraghi
Technology Director, Engineering

Created on 07/08/2025

CE 25