



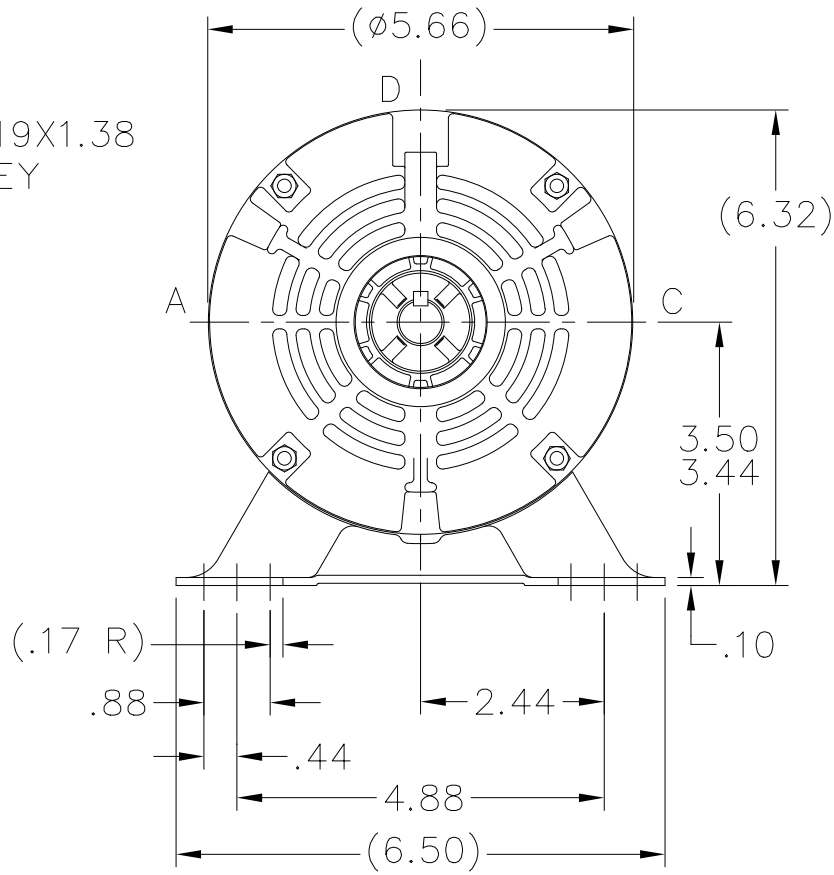
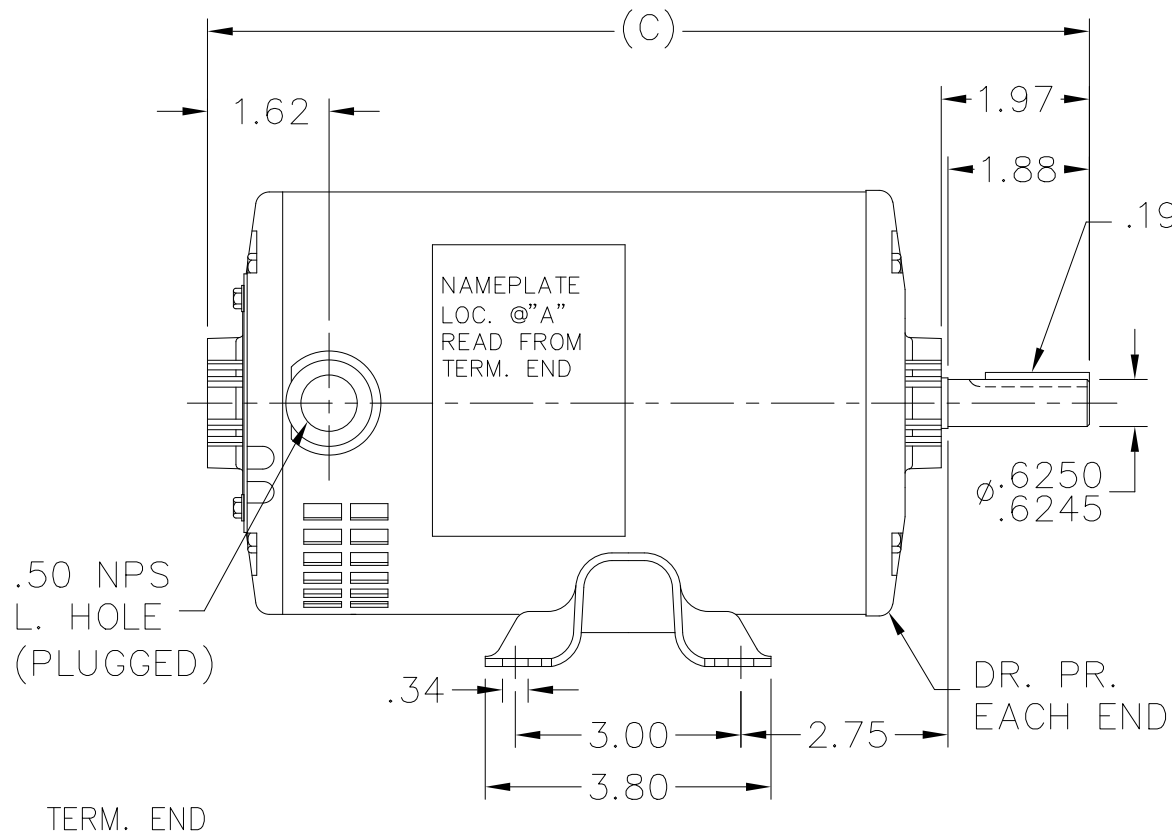
Nameplate Specifications

Phase	1	Output HP	0.50 Hp
Output KW	0.37 kW	Voltage	115 V
Speed	1725 rpm	Service Factor	1.0
Frame	56	Enclosure	Drip Proof
Thermal Protection	Automatic	Efficiency	60 %
Ambient Temperature	40 °C	Frequency	60 Hz
Current	9.2 A	Power Factor	59.8
Duty	Continuous	Insulation Class	B
Design Code	NO DESIGN CODE	KVA Code	N
Drive End Bearing Size	6203	Opp Drive End Bearing Size	6203
UL	Recognized	CSA	Y
CE	Y	IP Code	22
Number of Speeds	1		

Technical Specifications

Electrical Type	Split Phase	Starting Method	Across The Line
Poles	4	Rotation	Selective Counterclockwise
Resistance Main	0 Ohms	Mounting	Rigid Base
Motor Orientation	Horizontal	Drive End Bearing	Ball
Opp Drive End Bearing	Ball	Frame Material	Rolled Steel
Shaft Type	NEMA 56	Overall Length	10.22 in
Frame Length	6.25 in	Shaft Diameter	0.625 in
Shaft Extension	1.97 in	Assembly/Box Mounting	F1 ONLY
Connection Drawing	A-EE7195	Outline Drawing	A-SS403629-625

This is an uncontrolled document once printed or downloaded and is subject to change without notice. Date Created:02/07/2026



DASH		C	DASH		C	DASH		C
-600		9.97	-700		10.97	-775		11.72
-625		10.22	-725		11.22	-800		11.97
-650		10.47	-750		11.47	-875		12.72

				TOLERANCES UNLESS SPECIFIED			
				DEC.	INCHES		
				.X	±.1		
				.XX	±.03		
				.XXX	±.005		
01	CHG FROM MARATHON TO RRX TEMPLATE PER ECR-0233451	MD	6/12/2024	DS	.XXXX	±.0005	
NO.	REVISION	BY & DATE	CHK	ANG	±7'30"		

Regal Rexnord Regal Beloit America, Inc.

TITLE OUTLINE
56 FR. - DP.

MAT'L.

FINISH

DRAWN	NB	08-18-2007
CHK	VL	08-18-2007
APPD	VL	08-18-2007
SCALE	3=8	
REF	SS75081	
FMF	ISAAC 07-1161	
PREV		

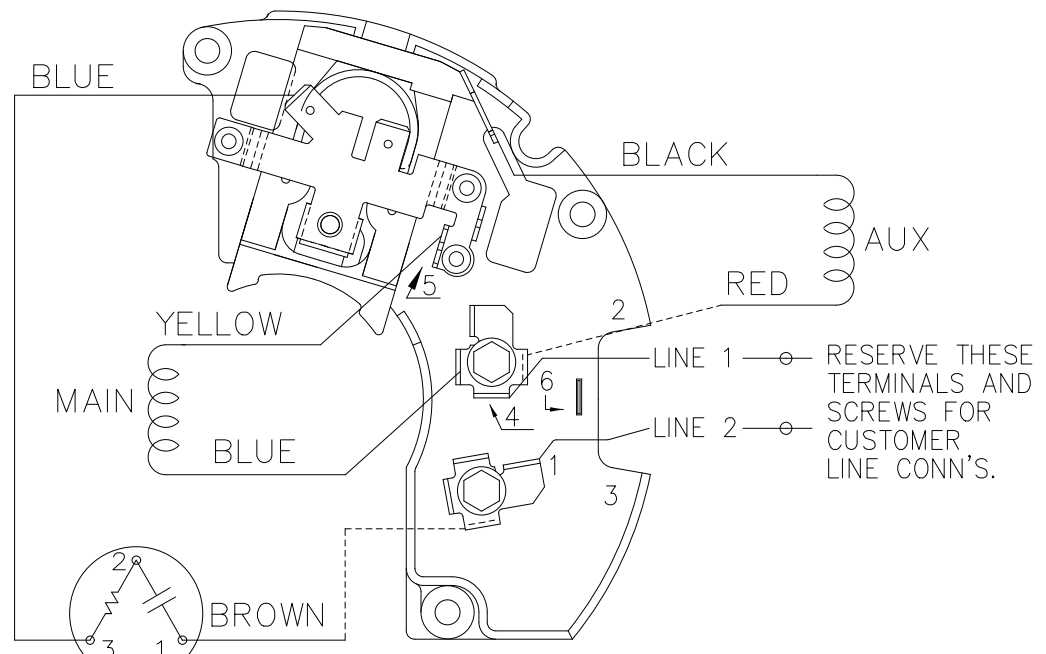
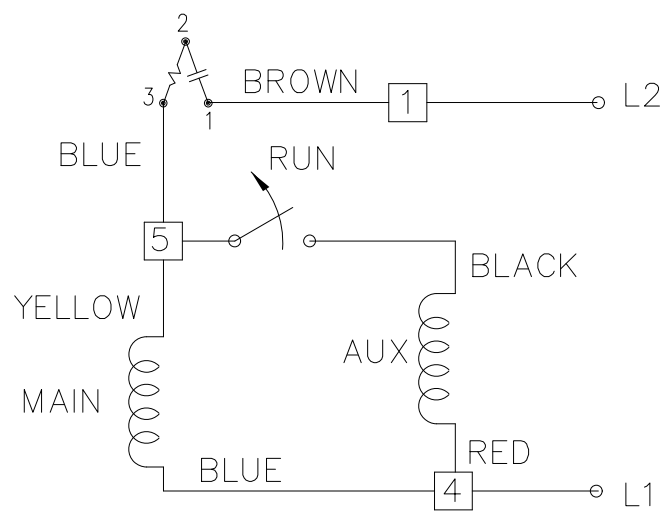
THIS DRAWING IN DESIGN AND DETAIL IS OUR PROPERTY AND MUST NOT BE USED EXCEPT IN CONNECTION WITH OUR WORK ALL RIGHTS OF DESIGN AND INVENTION ARE RESERVED THIS IS AN ELECTRONICALLY GENERATED DOCUMENT - DO NOT SCALE THIS PRINT

RFP	08-18-2007	CAD FILE	ss403629
DIST	WP		

SIZE	DRAWING NO.	PAGE	OF	REV.
A	SS403629			01

4 3 2 1

SINGLE VOLTAGE – SPLIT PHASE
REVERSIBLE ON TERM BOARD
WITH OVERLOAD PROTECTION



VIEWING TERMINAL END

C.C.W. ROTATION SHOWN.

FOR C.W. ROTATION INTERCHANGE
YELLOW & BLUE LEADS ON TERM 5 & 4.

DASH LINES INDICATE LEADS CONNECTED
TO MOTOR SIDE OF SWITCH.

DRAWING REVISION 06	REVISION BY KVDG	REV DATE/ DATE 05/06/2025	TOLERANCES (EXCEPT AS NOTED): DEC. INCH mm ANGLE .X ±0.1 [±3] ±0.5° .XX ±0.01 [±0.3] .XXX ±0.005 [±0.13] .XXXX ±0.0005 [±0.013]	DRAWN BY ML	Regal Beloit America, Inc.		
REQUEST NUMBER ECR-0242555	APPROVED BY DS	DATE 05/06/2025	REMOVE BURRS & BREAK SHARP EDGES: .003/.015 [.08/.38] X 45 CORNER FILLETS: R.02 [.5] MACHINED SURFACES: 125/ 3.2/ INCH mm	DATE 01-27-1988			
REQUEST NUMBER DESCRIPTION UPDATED THE DRAWING TO RRX TEMPLATE.				APPROVED BY DRN	DESCRIPTION CONNECTION DIAGRAM		
COPYRIGHT (PER REVISION DATE) REGAL BELOIT AMERICA, INC. ALL RIGHTS RESERVED. PROPRIETARY AND CONFIDENTIAL INFORMATION - THIS DOCUMENT IS THE PROPERTY OF REGAL BELOIT AMERICA, INC. (OWNER) AND CONTAINS OWNER'S PROPRIETARY INFORMATION. ANY PERSON, CORPORATION OR OTHER FIRM RECEIVING IT IS DEEMED, BY RECEIVING IT, TO AGREE THAT IT, AND/OR ANY PART OF IT, SHALL NOT BE DISCLOSED TO ANY PERSON, CORPORATION OR OTHER ENTITY, DUPLICATED, AND/OR USED, EXCEPT AS EXPRESSLY APPROVED IN WRITING IN ADVANCE BY OWNER. THIS DOCUMENT SHALL BE RETURNED TO OWNER UPON REQUEST. IT MAY BE SUBJECT TO CERTAIN RESTRICTIONS UNDER APPLICABLE EXPORT CONTROL LAWS AND REGULATIONS.				DATE 03-11-1988	48 FR. - SINGLE VOLTAGE REVERSIBLE		
				REFERENCE	MAT'L	PROCESS/FINISH	
			mm DIMENSIONS IN [BRACKETS] ARE FOR REFERENCE ONLY	THIRD ANGLE PROJECTION	SIZE B	DRAWING NUMBER EE7195	SHEET 1 OF 1

4 3 2 1



REGAL REXNORD CORPORATION
TYPICAL PERFORMANCE CURVE for AC MOTOR

Customer

Curve at

115

Volts

HP 0.50

PHASE 1

Model No 56S17D2066

60

HZ

VOLTS 115

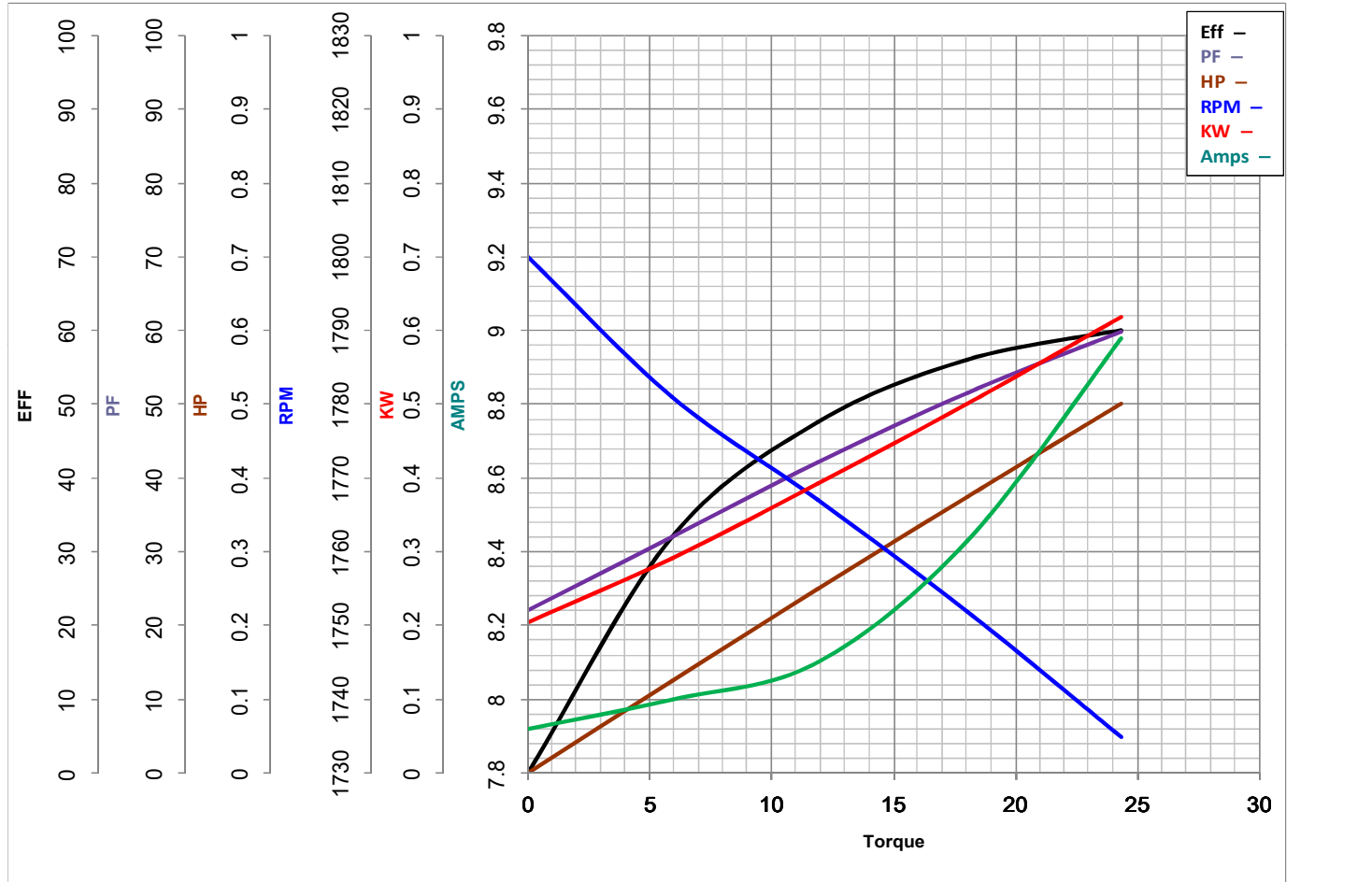
Catalog No S027

0.5

HP

HZ 60

RPM 1725



Torque in Oz.Ft

FL TORQUE 24.3 Oz.Ft
BD TORQUE 62.3 Oz.Ft
LR TORQUE 39.3 Oz.Ft

FL AMPS 9.2
PU TORQUE 36.7 Oz.Ft
LR AMPS 56.8

WINDING SE484166-1

Date 1/22/2019

EC Declaration of Conformity

The undersigned representing
the manufacturer:

Regal Beloit America
1946 West Cook Road
Fort Wayne, IN 46818

and the authorized representative
established within the Community:

Regal Beloit Italy
Via Modena, 18
24040 Ciserano(BG) - Italy

are committed to providing customers with products that comply with applicable regulations and international protocols to which they are subject, including the requirements of the European Parliament Directive on the Harmonization of the laws relating to electrical equipment designed for use within certain voltage limits (2014/35/EU).

Regal Beloit America declares that the following product(s), to which this declaration relates, are in conformity with the relevant sections of the EC standards listed below.

This statement supersedes any statements previously issued pertaining to the product(s) listed below and is subject to change without notice.

Model No : 056S17D2066

(Model No. may contain prefix and/or suffix characters)

Catalog No : S027

Rework No : N/A

Directives :

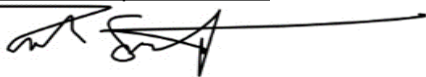
Low Voltage Directive 2014/35/EU

Harmonized Standards Used :

EN 60034-1: 2010 (IEC 60034-1: 2010)

EN 60034-5: 2001/A1:2007 (IEC 60034-5: 2000/A1:2006)

Authorized Representative:



Zach Stauffer
Vice President, Engineering

Authorized Representative in the Community:



Stefano Casiraghi
Technology Director, Engineering

Created on 07/08/2025

CE 25