

PRODUCT INFORMATION PACKET



Model No: 056T17D2104

Catalog No: G106

Fan and Blower Motor, 0.33 & 0.25 HP, 3 Ph, 60 & 50 Hz, 208-230/460 & 190/380 V, 1800 & 1500 RPM,
56Z Frame, DP



Regal and LEESON are trademarks of Regal Rexnord Corporation or one of its affiliated companies.
©2025 Regal Rexnord Corporation, All Rights Reserved. MC017097E



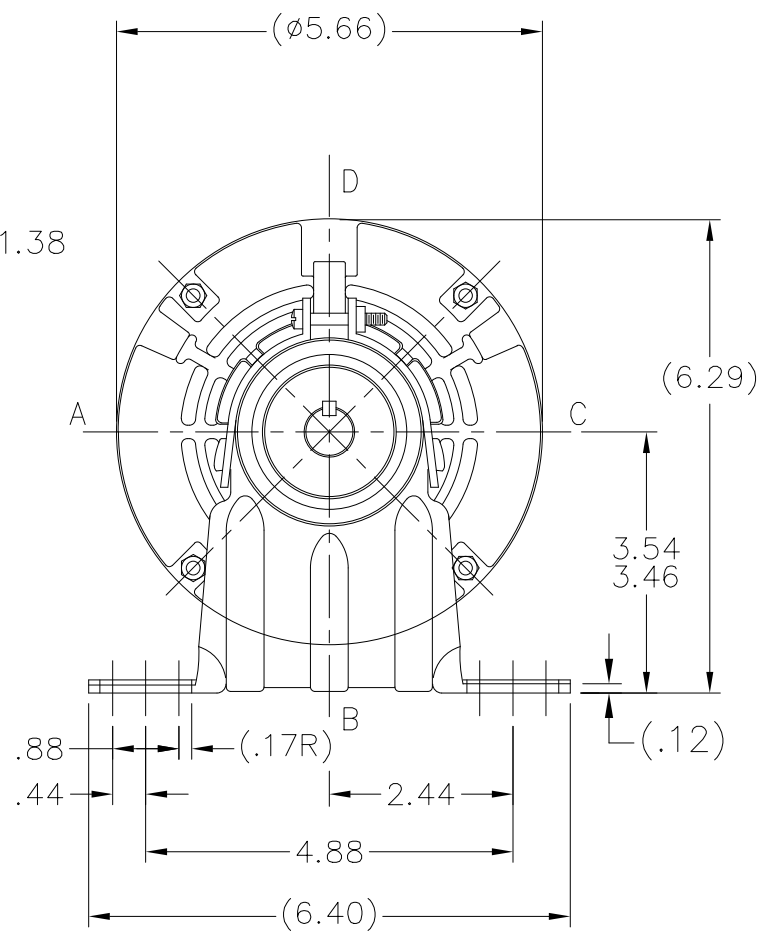
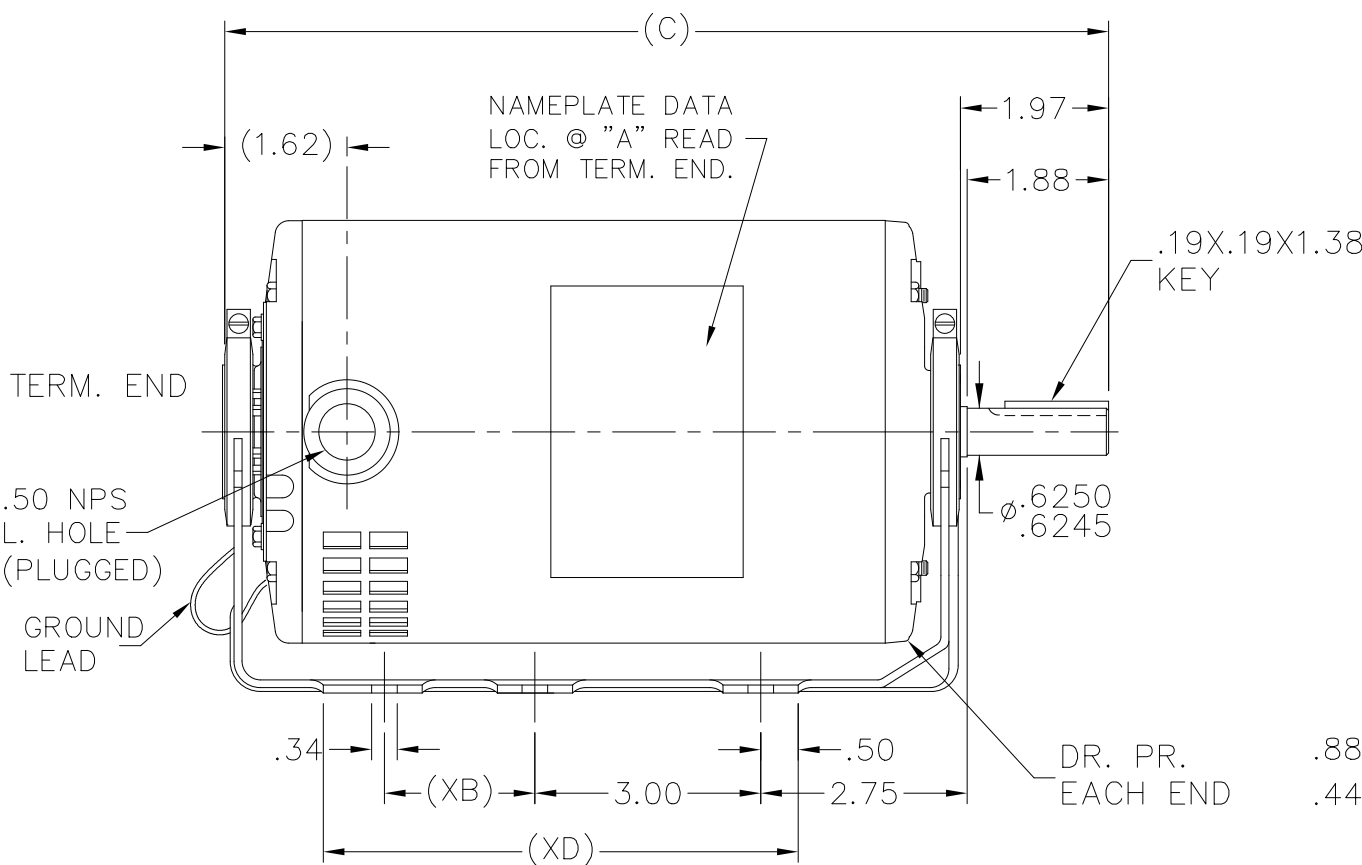


Nameplate Specifications

Phase	3	Output HP	0.33 & 0.25 Hp
Output KW	0.25 & 0.19 kW	Voltage	208-230/460 & 190/380 V
Speed	1725 & 1425 rpm	Service Factor	1.35 & 1.35
Frame	56Z	Enclosure	Drip Proof
Thermal Protection	Automatic	Efficiency	66 & 64 %
Ambient Temperature	40 °C	Frequency	60 & 50 Hz
Current	1.5-1.6/.8 & 1.6/.8 A	Power Factor	56
Duty	Continuous	Insulation Class	B
Design Code	B	KVA Code	N
Drive End Bearing Size	6203	Opp Drive End Bearing Size	6203
UL	Recognized	CSA	Y
CE	Y	IP Code	22
Number of Speeds	1		

Technical Specifications

Electrical Type	Squirrel Cage Induction Run	Starting Method	Across The Line
Poles	4	Rotation	Reversible
Resistance Main	53.6 Ohms	Mounting	Resilient Base
Motor Orientation	Horizontal	Drive End Bearing	Ball
Opp Drive End Bearing	Ball	Frame Material	Rolled Steel
Shaft Type	NEMA 56	Overall Length	9.97 in
Frame Length	6.00 in	Shaft Diameter	0.625 in
Shaft Extension	1.97 in	Assembly/Box Mounting	F1 ONLY
Outline Drawing	A-SS75077-600	Connection Drawing	A-EE7335



DASH	XB	XD	C	DASH	XB	XD	C
600	0	4.50	9.97	750	2.00	6.00	11.47
650	0	5.00	10.47				
700	0	5.50	10.97	800	2.00	6.50	11.97

NO.	REVISION	BY & DATE	CHK	ANG	TOLERANCES UNLESS SPECIFIED
9	CHG FROM MARATHON TO RRX TEMPALATE PER ECR-0233452	MD 5/6/2024	DS		INCHES
8	UPDATED DRAWING	TJW 04/13/2007		DEC.	
7	FIXED FEET DIMENSIONS	RJM 04-11-2005	ML	.X	±.1
6	REDRAWN IN AUTOCAD	TAT 09-01-2004	ML	.XX	±.03
5	ADDED NEW FRONT BRACKET	CN 20124 RJM 04-04-1995		.XXX	±.005
4	ADDED NEW REAR BRACKET	CN 19513 KL 12-12-1994		.XXXX	±.0005
					±7'30"

Regal Rexnord Regal Beloit America, Inc.

TITLE OUTLINE

MAT'L.

FINISH

DRAWN	SMC 11-01-1990
CHK	MOL 11-02-1990
APPD	GK 11-02-1990
SCALE	3=8
REF	
FMF	
PREV	

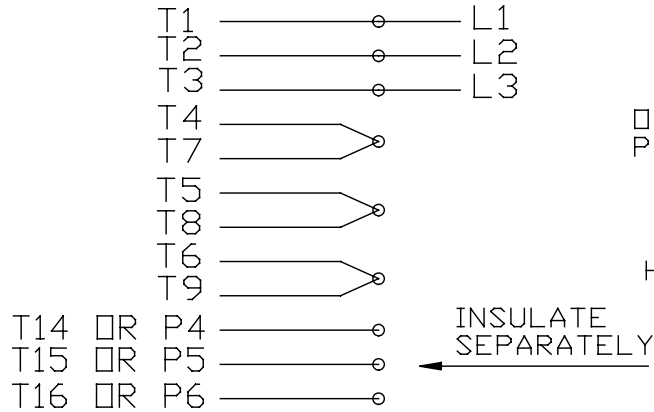
THIS DRAWING IN DESIGN AND DETAIL IS OUR PROPERTY AND MUST NOT BE USED EXCEPT IN CONNECTION WITH OUR WORK ALL RIGHTS OF DESIGN AND INVENTION ARE RESERVED THIS IS AN ELECTRONICALLY GENERATED DOCUMENT - DO NOT SCALE THIS PRINT

RFP	CAD FILE ss75077
DIST WP	

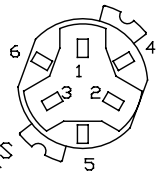
SIZE	DRAWING NO.	PAGE	OF	REV.
A	SS75077			09

EE7335

HIGH VOLTAGE CONNECTIONS

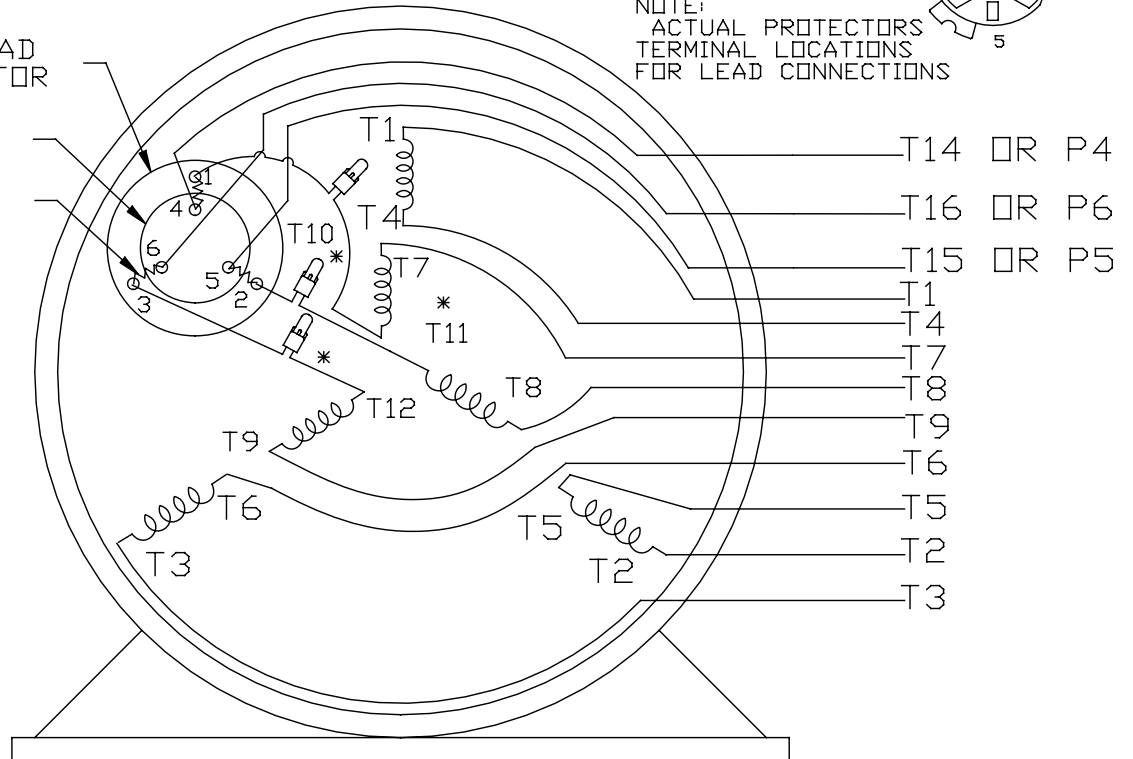


THREE PHASE - DUAL VOLTAGE MOTOR WITH OVERLOAD PROTECTOR



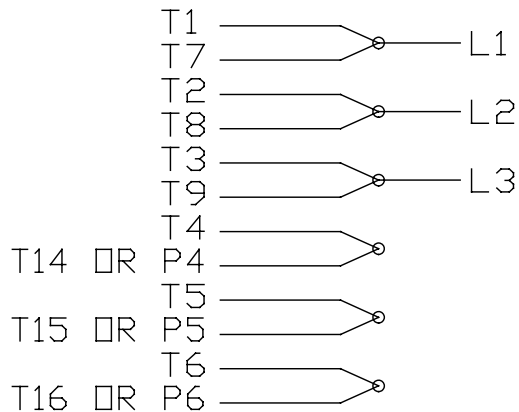
NOTE:
ACTUAL PROTECTORS
TERMINAL LOCATIONS
FOR LEAD CONNECTIONS

OVERLOAD
PROTECTOR
DISC
HEATER



VIEW OF TERMINAL END

LOW VOLTAGE CONNECTIONS



* USE PRESSURE CONNECTORS FOR MT2 PLANT ONLY

T2K
T4D
T6AN

NO.	REVISION	BY & DATE	CHK	TOLERANCES UNLESS SPECIFIED		FINISH	DRAWN	SCALE	REV.
				DEC.	INCHES				
17	CHANGED LOGO FROM MARATHON TO REGAL	KIR 02/16/16	AB	DEC.	INCHES	Regal Beloit America, Inc.	KL	08-09-1993	
16	PRESSURE CONNECTORS QUANTITY WAS 6	PVR 10/29/13	GR	.X	±.1		CHK	ML	08/10/1993
15	PRESSURE CONNECTORS ADDED	GR 03/04/13	SR	.XX	±.01	TITLE 3Ø-DUAL VOLT WITH OVERLOAD PROTECTO	APPD	GK	08/10/1993
14	ADDED ACTUAL PROECTOR VIEW CN 17481	KL 05/18/94		.XXX	±.005		SCALE		1=1
13	REDRAWN IN AUTO CAD	KL 08/11/93		.XXXX	±.0005	MAT'L.	REF		
					±1/2*		FMF		
							PREV		
THIS DRAWING IN DESIGN AND DETAIL IS OUR PROPERTY AND MUST NOT BE USED EXCEPT IN CONNECTION WITH OUR WORK ALL RIGHTS OF DESIGN AND INVENTION ARE RESERVED THIS IS AN ELECTRONICALLY GENERATED DOCUMENT - DO NOT SCALE THIS PRINT				RFP	CAD FILE	EE7335	SIZE	DRAWING NO.	REV.
				DIST			A	EE7335	17

CERTIFICATION DATA SHEET

Model#: 56T17D2104 F WINDING#: TE48414 NONE 3
 CONN. DIAGRAM: A-EE7335 ASSEMBLY: F1 ONLY
 OUTLINE: A-SS75077-600

TYPICAL MOTOR PERFORMANCE DATA

HP	KW	SYNC. RPM	F.L. RPM	FRAME	ENCLOSURE	KVA CODE	DESIGN
1/3&1/4	0.25&0.19	1800	1725&1425	56Z	DP	N	B

PH	Hz	VOLTS	FL AMPS	START TYPE	DUTY	INSL	S.F	AMB°C	ELEVATION
3	60/50	208- 230/460#190/ 380	1.5- 1.6/.8&1.6/.8	ACROSS THE LINE	CONTINUOU S	B3	1.35/1.35	40	3300

FULL LOAD EFF: 66&64	3/4 LOAD EFF: 60	1/2 LOAD EFF: 51	GTD. EFF	ELEC. TYPE	NO LOAD AMPS
FULL LOAD PF: 56&57.5	3/4 LOAD PF: 50	1/2 LOAD PF: 40.5	64	SQ CAGE IND RUN	1.5 / .7

F.L. TORQUE	LOCKED ROTOR AMPS	L.R. TORQUE	B.D. TORQUE	F.L. RISE°C
1 LB-FT	9.4 / 4.7	4.3 LB-FT 430	4.7 LB-FT 470	30

SOUND PRESSURE @ 3 FT.	SOUND POWER	ROTOR WK^2	MAX. WK^2	SAFE STALL TIME	STARTS /HOUR	APPROX. MOTOR WGT
56 dBA	66 dBA	0.035 LB-FT^2	0 LB-FT^2	10 SEC.	0	17 LBS.

***** SUPPLEMENTAL INFORMATION *****

DE BRACKET TYPE	ODE BRACKET TYPE	MOUNT TYPE	ORIENTATION	SEVERE DUTY	HAZARDOUS LOCATION	DRIP COVER	SCREENS	PAINT
STANDARD	STANDARD	RESILIENT BASE	HORIZONTAL	FALSE	NONE	FALSE	NONE	GRAY (POWDER)

BEARINGS		GREASE	SHAFT TYPE	SPECIAL DE	SPECIAL ODE	SHAFT MATERIAL	FRAME MATERIAL
DE	OPE						
BALL	BALL	POLYREX EM	STANDARD 56	NONE	NONE	1144 STRESSPROOF (C-223)	ROLLED STEEL
6203	6203						

THERMO-PROTECTORS				THERMISTORS	CONTROL	SPACE /n HEATERS
THERMOSTATS	PROTECTORS	WDG RTDs	BRG RTDs			
NONE	AUTOMATIC	NONE	NONE	NONE	FALSE	NONE VOLTS

If Inverter equals NONE, contact factory for further information

INVERTER TORQUE: NONE
INV. HP SPEED RANGE: NONE
ENCODER: NONE
NONE NONE
NONE NONE PPR
BRAKE: NONE NONE
NONE P/N NONE
NONE NONE
NONE FT-LB NONE V NONE Hz

*
N
O
T
E
S
*

** Subject to change without notice.



REGAL REXNORD CORPORATION
TYPICAL PERFORMANCE CURVE for AC MOTOR

Customer

Curve at

460
60
0.33

Volts
HZ
HP

HP 0.33&0.25

PHASE 3

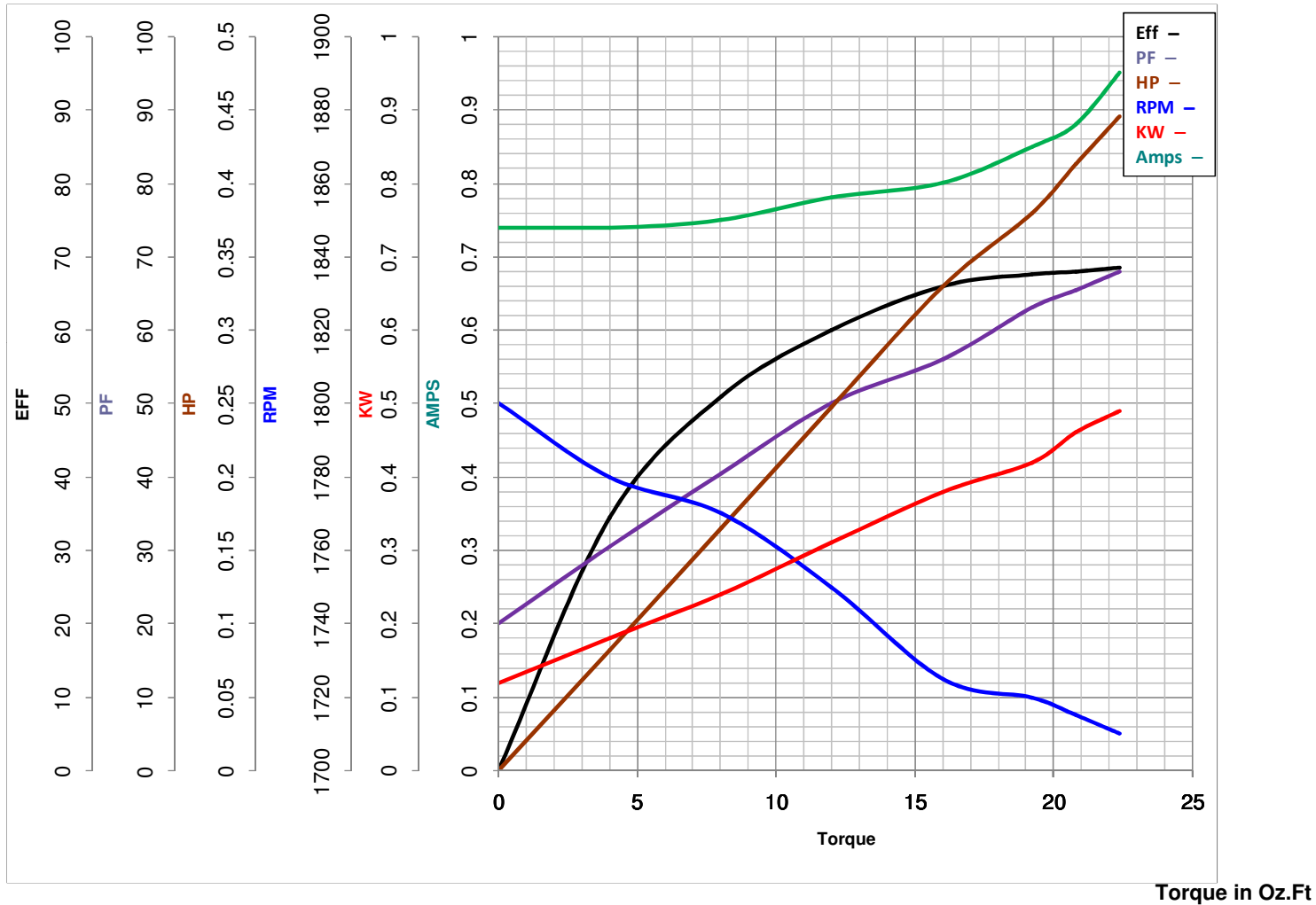
Model No 56T17D2104

VOLTS 208-230/460&190/380

Catalog No G106

HZ 60&50

RPM 1725&1425



FL TORQUE	16	Oz.Ft	FL AMPS	1.5-1.6/8
BD TORQUE	<u>75.2</u>	Oz.Ft	PU TORQUE	<u>62.4</u>
LR TORQUE	<u>68.8</u>	Oz.Ft	LR AMPS	<u>4.7</u>
WINDING	TE48414-		Date	1/30/2019

EC Declaration of Conformity

The undersigned representing
the manufacturer:

Regal Beloit America
1946 West Cook Road
Fort Wayne, IN 46818

and the authorized representative
established within the Community:

Regal Beloit Italy
Via Modena, 18
24040 Ciserano(BG) - Italy

are committed to providing customers with products that comply with applicable regulations and international protocols to which they are subject, including the requirements of the European Parliament Directive on the Harmonization of the laws relating to electrical equipment designed for use within certain voltage limits (2014/35/EU).

Regal Beloit America declares that the following product(s), to which this declaration relates, are in conformity with the relevant sections of the EC standards listed below.

This statement supersedes any statements previously issued pertaining to the product(s) listed below and is subject to change without notice.

Model No : 056T17D2104

(Model No. may contain prefix and/or suffix characters)

Catalog No : G106

Rework No : N/A

Directives :

Low Voltage Directive 2014/35/EU

Harmonized Standards Used :

EN 60034-1: 2010 (IEC 60034-1: 2010)

EN 60034-5: 2001/A1:2007 (IEC 60034-5: 2000/A1:2006)

Authorized Representative:



Zach Stauffer
Vice President, Engineering

Authorized Representative in the Community:



Stefano Casiraghi
Technology Director, Engineering

Created on 07/08/2025

CE 25