

# PRODUCT INFORMATION PACKET



Model No: 056T17D3301

Catalog No: K063

General Purpose Motor, 1 & 0.75 HP, 3 Ph, 60 & 50 Hz, 208-230/460 & 190/380 V, 1800 & 1500 RPM,  
56HZ Frame, DP



Regal and LEESON are trademarks of Regal Rexnord Corporation or one of its affiliated companies.  
©2025 Regal Rexnord Corporation, All Rights Reserved. MC017097E



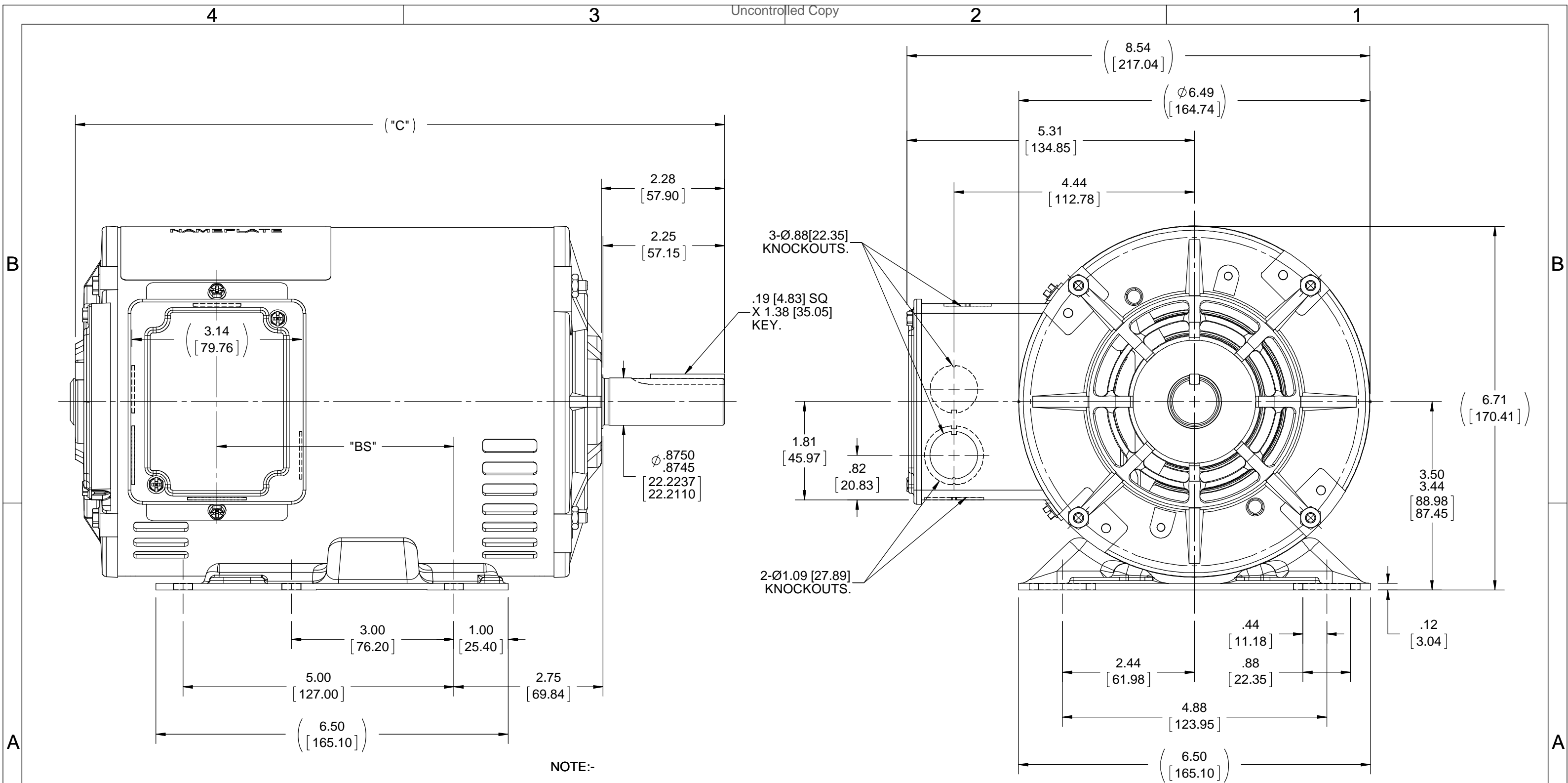


### Nameplate Specifications

Phase	<b>3</b>	Output HP	<b>1 &amp; 0.75 Hp</b>
Output KW	<b>0.75 &amp; 0.56 kW</b>	Voltage	<b>208-230/460 &amp; 190/380 V</b>
Speed	<b>1725 &amp; 1425 rpm</b>	Service Factor	<b>1.15 &amp; 1.15</b>
Frame	<b>56HZ</b>	Enclosure	<b>Drip Proof</b>
Thermal Protection	<b>Automatic</b>	Efficiency	<b>77 &amp; 74 %</b>
Ambient Temperature	<b>40 °C</b>	Frequency	<b>60 &amp; 50 Hz</b>
Current	<b>3.4-3.6/1.8 &amp; 3.4/1.7 A</b>	Power Factor	<b>68.5</b>
Duty	<b>Continuous</b>	Insulation Class	<b>B</b>
Design Code	<b>B</b>	KVA Code	<b>L</b>
Drive End Bearing Size	<b>6205</b>	Opp Drive End Bearing Size	<b>6205</b>
UL	<b>Recognized</b>	CSA	<b>Y</b>
CE	<b>Y</b>	IP Code	<b>12</b>
Number of Speeds	<b>1</b>		

### Technical Specifications

Electrical Type	<b>Squirrel Cage Induction Run</b>	Starting Method	<b>Across The Line</b>
Poles	<b>4</b>	Rotation	<b>Reversible</b>
Resistance Main	<b>17.9 Ohms</b>	Mounting	<b>Rigid Base</b>
Motor Orientation	<b>Horizontal</b>	Drive End Bearing	<b>Ball</b>
Opp Drive End Bearing	<b>Ball</b>	Frame Material	<b>Rolled Steel</b>
Shaft Type	<b>NEMA 145T</b>	Overall Length	<b>10.99 in</b>
Frame Length	<b>7.06 in</b>	Shaft Diameter	<b>0.875 in</b>
Shaft Extension	<b>2.28 in</b>	Assembly/Box Mounting	<b>F1 ONLY</b>
Outline Drawing	<b>A-104452-706</b>	Connection Drawing	<b>A-EE7335</b>



- NOTE:-  
 1) CONDUIT BOX CAN BE ROTATED 180° STEP.  
 2) NAMEPLATE READ FROM CONDUIT BOX SIDE.

DASH.	"C"	"BS/140T"
706	10.99 [279.15]	3.38 [85.85]
756	11.49 [291.85]	3.88 [98.55]
806	11.99 [304.55]	4.38 [111.25]
856	12.49 [317.25]	4.88 [123.95]
906	12.99 [329.95]	5.38 [136.65]
956	13.49 [342.65]	5.88 [149.35]

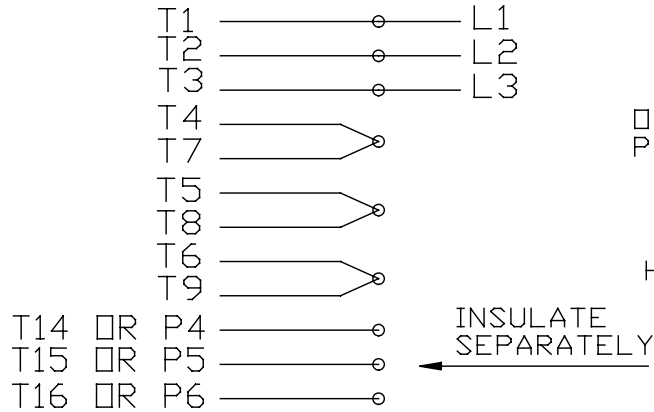
DRAWING REVISION D	REVISION BY A SUPPANAVAR	DATE 02/28/2018
ECO ECO-0136109	APPROVED BY PST	DATE 05/18/2018
ECO DESCRIPTION <b>OUTLINE CONVERSION PROJECT</b> <small>COPYRIGHT REGAL BELOIT AMERICA, INC. ALL RIGHTS RESERVED.          PROPRIETARY AND CONFIDENTIAL INFORMATION - THIS DOCUMENT IS THE PROPERTY OF          REGAL BELOIT AMERICA, INC. ("OWNER") AND CONTAINS OWNER'S PROPRIETARY          INFORMATION. ANY PERSON, CORPORATION OR OTHER FIRM RECEIVING IT IS DEEMED,          BY RECEIVING IT, TO AGREE THAT IT, AND/OR ANY PART OF IT, SHALL NOT BE DISCLOSED          TO ANY PERSON, CORPORATION OR OTHER ENTITY, DUPLICATED, AND/OR USED, EXCEPT          AS EXPRESSLY APPROVED IN WRITING IN ADVANCE BY OWNER. THIS DOCUMENT SHALL          BE RETURNED TO OWNER UPON REQUEST. IT MAY BE SUBJECT TO CERTAIN          RESTRICTIONS UNDER APPLICABLE EXPORT CONTROL LAWS AND REGULATIONS.</small>		

TOLERANCES UNLESS OTHERWISE SPECIFIED:			
DEC.	INCH	mm	ANGLE
.X	±0.1	[±2.5]	±7° 30"
.XX	±0.02	[±0.51]	
.XXX	±0.005	[±0.127]	
.XXXX	±0.0005	[±0.0127]	
REMOVE BURRS & BREAK SHARP EDGES: .003/.015 [.076/.381] X 45° CORNER FILLETS: R.02 [.51] MACHINED SURFACES: 200 INCH/mm 5.1 mm SHOWN IN [BRACKETS]			

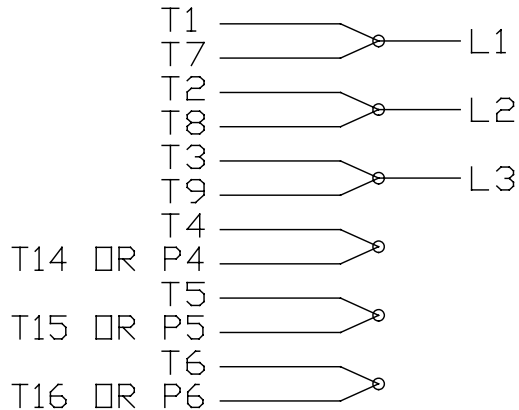
DRAWN BY MJD	REGAL™ Regal Beloit America, Inc.	
DATE 05-18-1998	DESCRIPTION <b>OUTLINE</b> 56HZ-TS-DR. PR.-BB	
APPROVED BY MRB	MATERIAL	PROCESS/FINISH
DATE 05-20-1998	SIZE B	DRAWING NUMBER 104452
REFERENCE 104452	SHEET 1 OF 1	
THIRD ANGLE PROJECTION		

EE7335

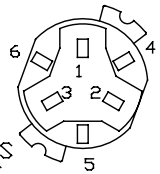
### HIGH VOLTAGE CONNECTIONS



### LOW VOLTAGE CONNECTIONS



### THREE PHASE - DUAL VOLTAGE MOTOR WITH OVERLOAD PROTECTOR

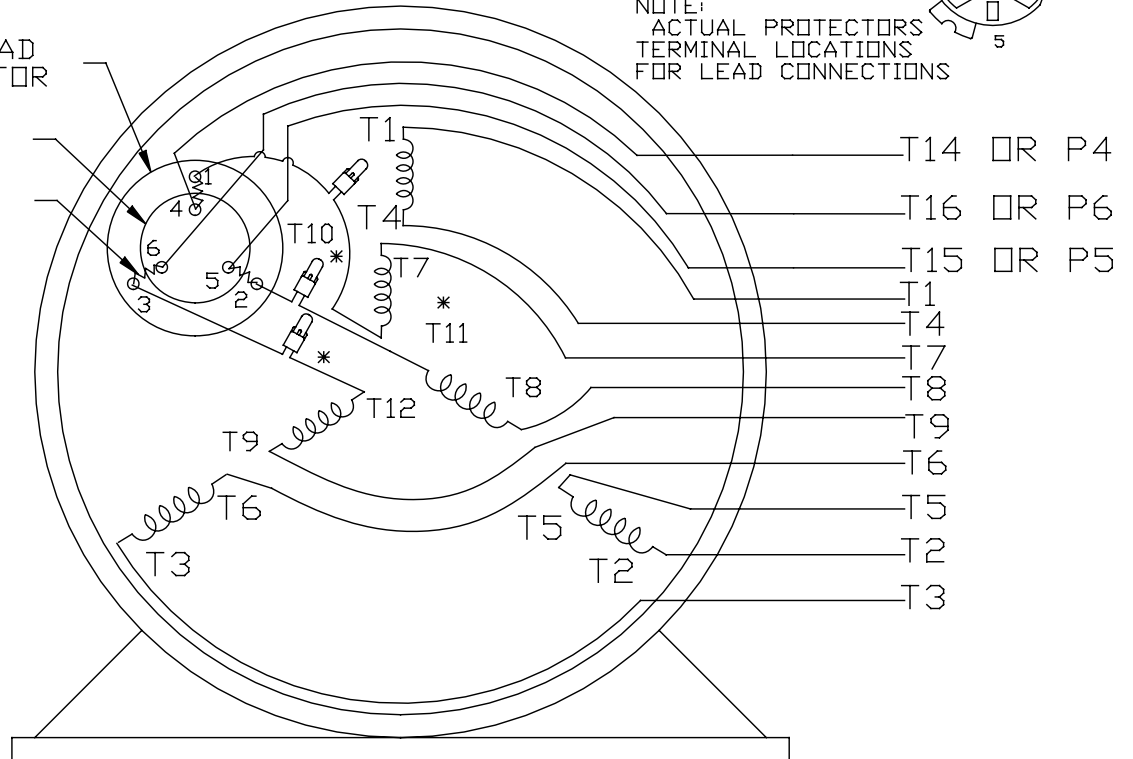


NOTE:  
ACTUAL PROTECTORS  
TERMINAL LOCATIONS  
FOR LEAD CONNECTIONS

OVERLOAD PROTECTOR

DISC

HEATER



VIEW OF TERMINAL END

\* USE PRESSURE CONNECTORS FOR MT2 PLANT ONLY

T2K
T4D
T6AN

NO.	REVISION	BY & DATE	CHK	TOLERANCES UNLESS SPECIFIED		FINISH	DRAWN	SCALE	REV.		
				DEC.	INCHES						
17	CHANGED LOGO FROM MARATHON TO REGAL	KIR 02/16/16	AB	DEC.	INCHES	<b>Regal Beloit America, Inc.</b>	KL	08-09-1993	17		
16	PRESSURE CONNECTORS QUANTITY WAS 6	PVR 10/29/13	GR	.X	±.1		CHK	ML	08/10/1993		
15	PRESSURE CONNECTORS ADDED	GR 03/04/13	SR	.XX	±.01		APPD	GK	08/10/1993		
14	ADDED ACTUAL PROECTOR VIEW CN 17481	KL 05/18/94		.XXX	±.005		TITLE		SCALE 1=1		
13	REDRAWN IN AUTO CAD	KL 08/11/93		.XXXX	±.0005		3Ø-DUAL VOLT WITH OVERLOAD PROTECTO	REF	FMF		
				ANG	±1/2*	MAT'L.		PREV			
THIS DRAWING IN DESIGN AND DETAIL IS OUR PROPERTY AND MUST NOT BE USED EXCEPT IN CONNECTION WITH OUR WORK ALL RIGHTS OF DESIGN AND INVENTION ARE RESERVED THIS IS AN ELECTRONICALLY GENERATED DOCUMENT - DO NOT SCALE THIS PRINT						RFP	CAD FILE	EE7335	SIZE	DRAWING NO.	REV.
						DIST			A	EE7335	17

**CERTIFICATION DATA SHEET**

**Model#:** 56T17D3301 B  
**CONN. DIAGRAM:** A-EE7335  
**OUTLINE:** A-104452-706

**WINDING#:** ZT406 DR 3  
**ASSEMBLY:** F1 ONLY

**TYPICAL MOTOR PERFORMANCE DATA**

HP	KW	SYNC. RPM	F.L. RPM	FRAME	ENCLOSURE	KVA CODE	DESIGN
1&3/4	.75&.56	1800	1725&1425	56HZ	DP	L	B

PH	Hz	VOLTS	FL AMPS	START TYPE	DUTY	INSL	S.F	AMB°C	ELEVATION
3	60/50	208- 230/460#190/ 380	3.4- 3.6/1.8&3.4/1. 7	ACROSS THE LINE	CONTINUOU S	B3	1.15/1.15	40	3300

FULL LOAD EFF: 77&74	3/4 LOAD EFF: 77	1/2 LOAD EFF: 72.5	GTD. EFF	ELEC. TYPE	NO LOAD AMPS
FULL LOAD PF: 68.5&66.5	3/4 LOAD PF: 60	1/2 LOAD PF: 43.5	74	SQ CAGE IND RUN	2.6 / 1.3

F.L. TORQUE	LOCKED ROTOR AMPS	L.R. TORQUE	B.D. TORQUE	F.L. RISE°C
3 LB-FT	25 / 12.5	10 LB-FT 333	12.5 LB-FT 417	40

SOUND PRESSURE @ 3 FT.	SOUND POWER	ROTOR WK^2	MAX. WK^2	SAFE STALL TIME	STARTS /HOUR	APPROX. MOTOR WGT
56 dBA	66 dBA	0.056 LB-FT^2	7 LB-FT^2	12 SEC.	2	28 LBS.

**\*\*\* SUPPLEMENTAL INFORMATION \*\*\***

DE BRACKET TYPE	ODE BRACKET TYPE	MOUNT TYPE	ORIENTATION	SEVERE DUTY	HAZARDOUS LOCATION	DRIP COVER	SCREENS	PAINT
STANDARD	STANDARD	RIGID	HORIZONTAL	FALSE	NONE	FALSE	NONE	GRAY (POWDER)

BEARINGS		GREASE	SHAFT TYPE	SPECIAL DE	SPECIAL ODE	SHAFT MATERIAL	FRAME MATERIAL
DE	OPE						
BALL	BALL	POLYREX EM	56FR-140T	140T	NONE	1144 STRESSPROOF (C-223)	ROLLED STEEL
6205	6205						

THERMO-PROTECTORS				THERMISTORS	CONTROL	SPACE /n HEATERS
THERMOSTATS	PROTECTORS	WDG RTDs	BRG RTDs			
NONE	AUTOMATIC	NONE	NONE	NONE	FALSE	NONE VOLTS

If Inverter equals NONE, contact factory for further information

\*  
N  
O  
T  
E  
S  
\*

INVERTER TORQUE: NONE
INV. HP SPEED RANGE: NONE
ENCODER: NONE
NONE NONE
NONE NONE PPR
BRAKE: NONE NONE
NONE P/N NONE
NONE NONE
NONE FT-LB NONE V NONE Hz

\*\* Subject to change without notice.



**REGAL REXNORD CORPORATION**  
TYPICAL PERFORMANCE CURVE for AC MOTOR

Customer

Curve at

460  
60  
1

Volts  
HZ  
HP

HP 1&0.75

PHASE 3

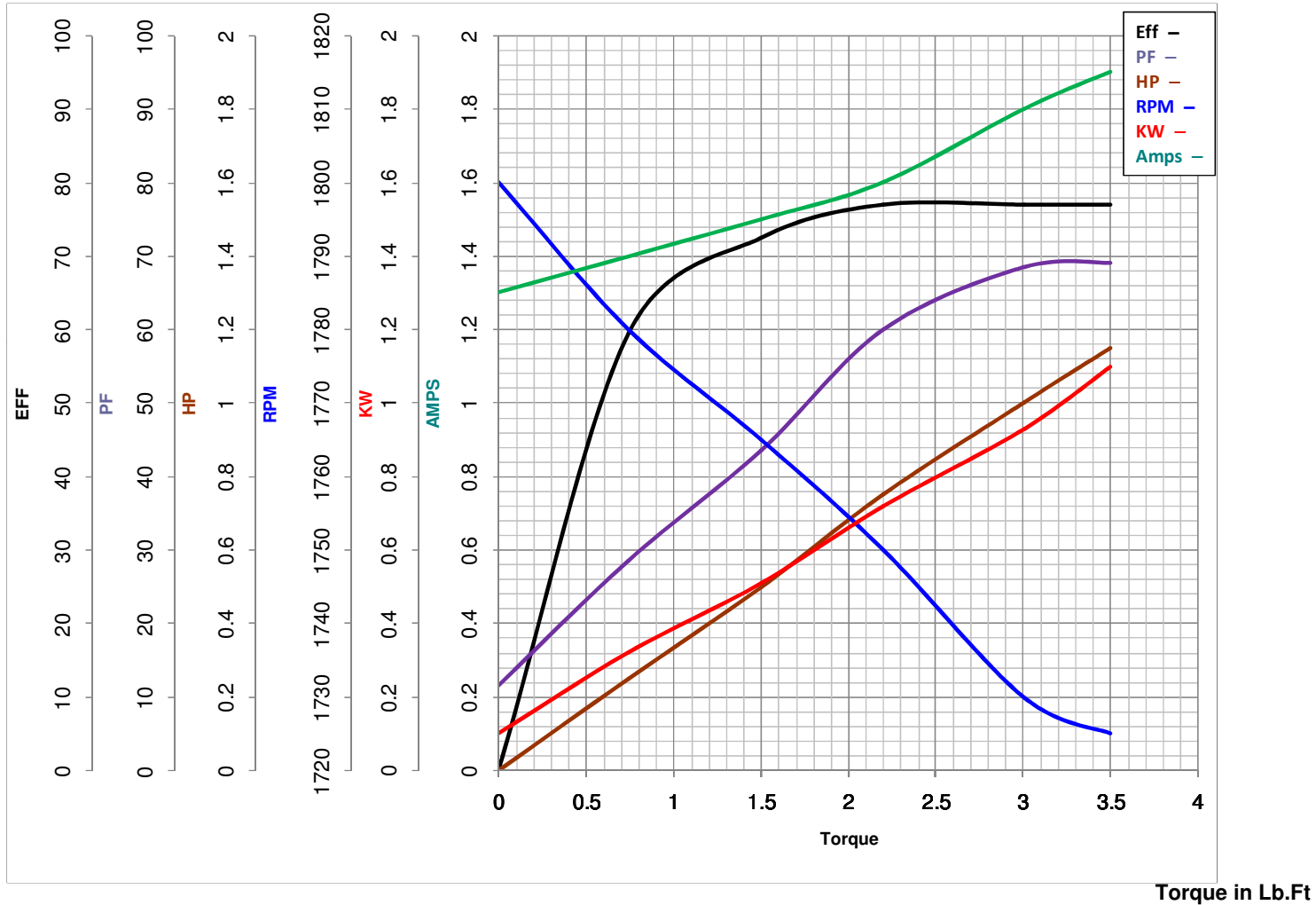
Model No 56T17D3301

VOLTS 208-230/460&190/380

Catalog No K063

HZ 60&50

RPM 1725&1425



FL TORQUE	<u>3</u>	Lb.Ft	FL AMPS	<u>3.4-3.6/1.8</u>
BD TORQUE	<u>12.5</u>	Lb.Ft	PU TORQUE	<u>8.8</u> Lb.Ft
LR TORQUE	<u>10</u>	Lb.Ft	LR AMPS	<u>12.5</u>
WINDING	ZT406-		Date	1/23/2019

## EC Declaration of Conformity

The undersigned representing  
the manufacturer:

Regal Beloit America  
1946 West Cook Road  
Fort Wayne, IN 46818

and the authorized representative  
established within the Community:

Regal Beloit Italy  
Via Modena, 18  
24040 Ciserano(BG) - Italy

are committed to providing customers with products that comply with applicable regulations and international protocols to which they are subject, including the requirements of the European Parliament Directive on the Harmonization of the laws relating to electrical equipment designed for use within certain voltage limits (2014/35/EU).

Regal Beloit America declares that the following product(s), to which this declaration relates, are in conformity with the relevant sections of the EC standards listed below.

This statement supersedes any statements previously issued pertaining to the product(s) listed below and is subject to change without notice.

Model No : 056T17D3301

(Model No. may contain prefix and/or suffix characters)

Catalog No : K063

Rework No : N/A

Directives :

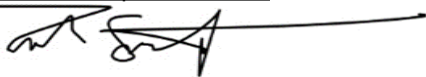
Low Voltage Directive 2014/35/EU

Harmonized Standards Used :

EN 60034-1: 2010 (IEC 60034-1: 2010)

EN 60034-5: 2001/A1:2007 (IEC 60034-5: 2000/A1:2006)

Authorized Representative:



Zach Stauffer  
Vice President, Engineering

Authorized Representative in the Community:



Stefano Casiraghi  
Technology Director, Engineering

Created on 07/08/2025

**CE 25**