

# PRODUCT INFORMATION PACKET



Model No: 056T17DRR70023A1

Catalog No: G908A

General Purpose Motor, 0.75 & 0.50 HP, 3 Ph, 60 & 50 Hz, 208-230/460 & 190/380 V, 1800 & 1500 RPM,  
56 Frame, DP



Regal and LEESON are trademarks of Regal Rexnord Corporation or one of its affiliated companies.  
©2025 Regal Rexnord Corporation, All Rights Reserved. MC017097E



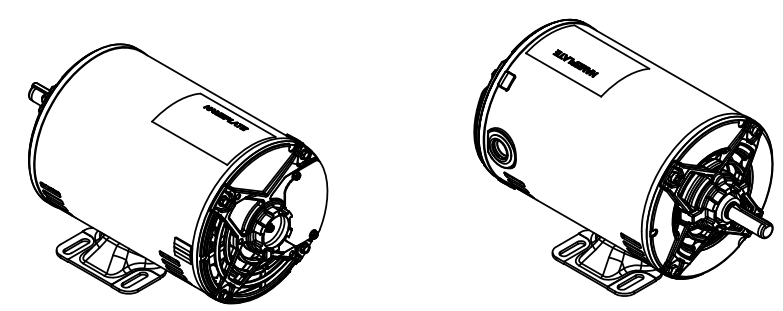
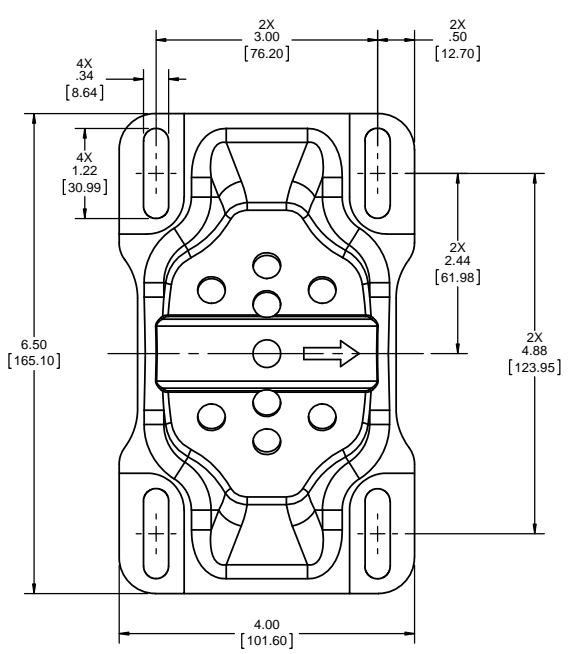
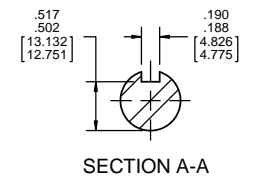
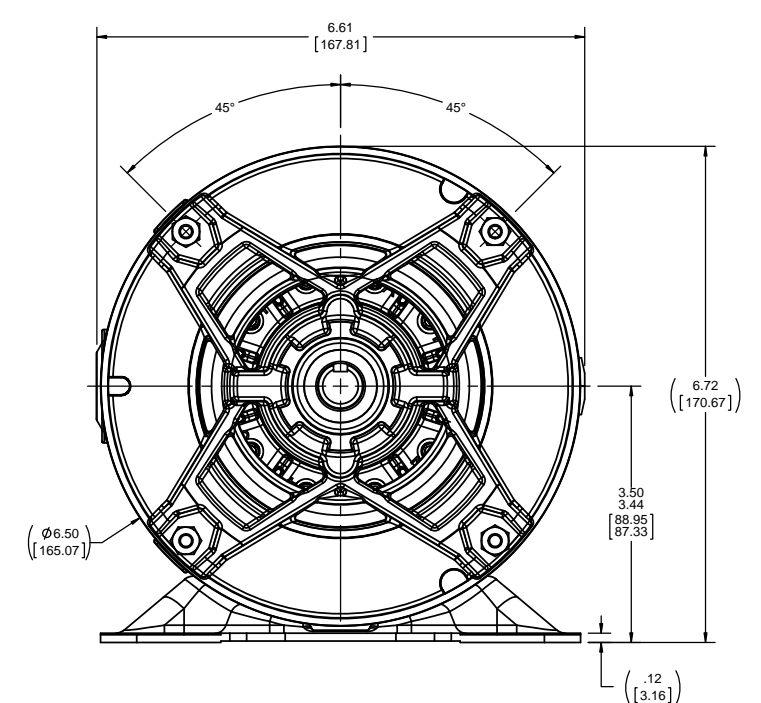
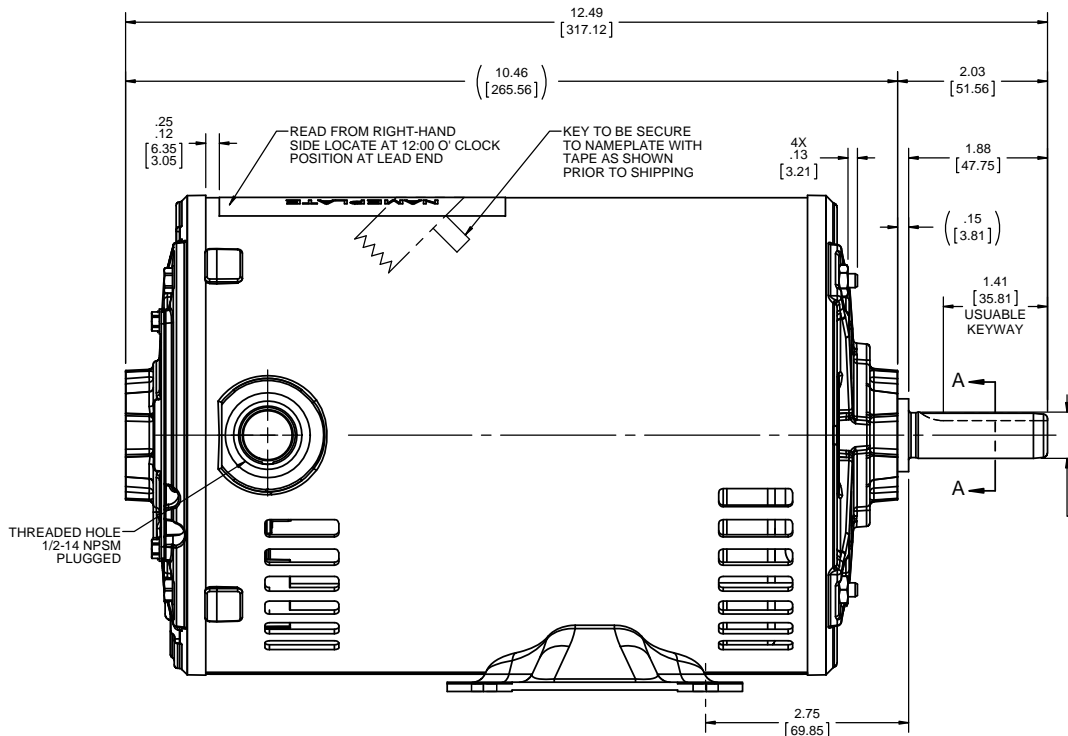


### Nameplate Specifications

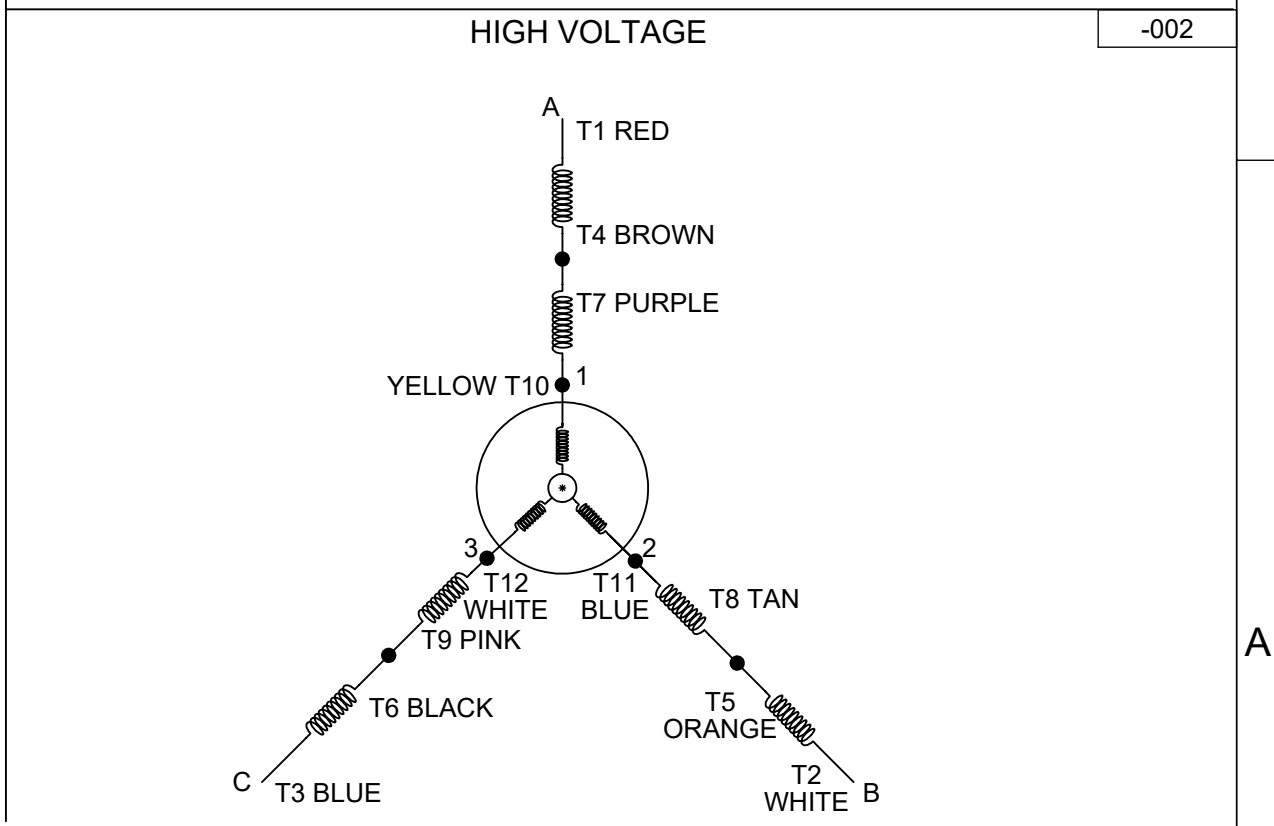
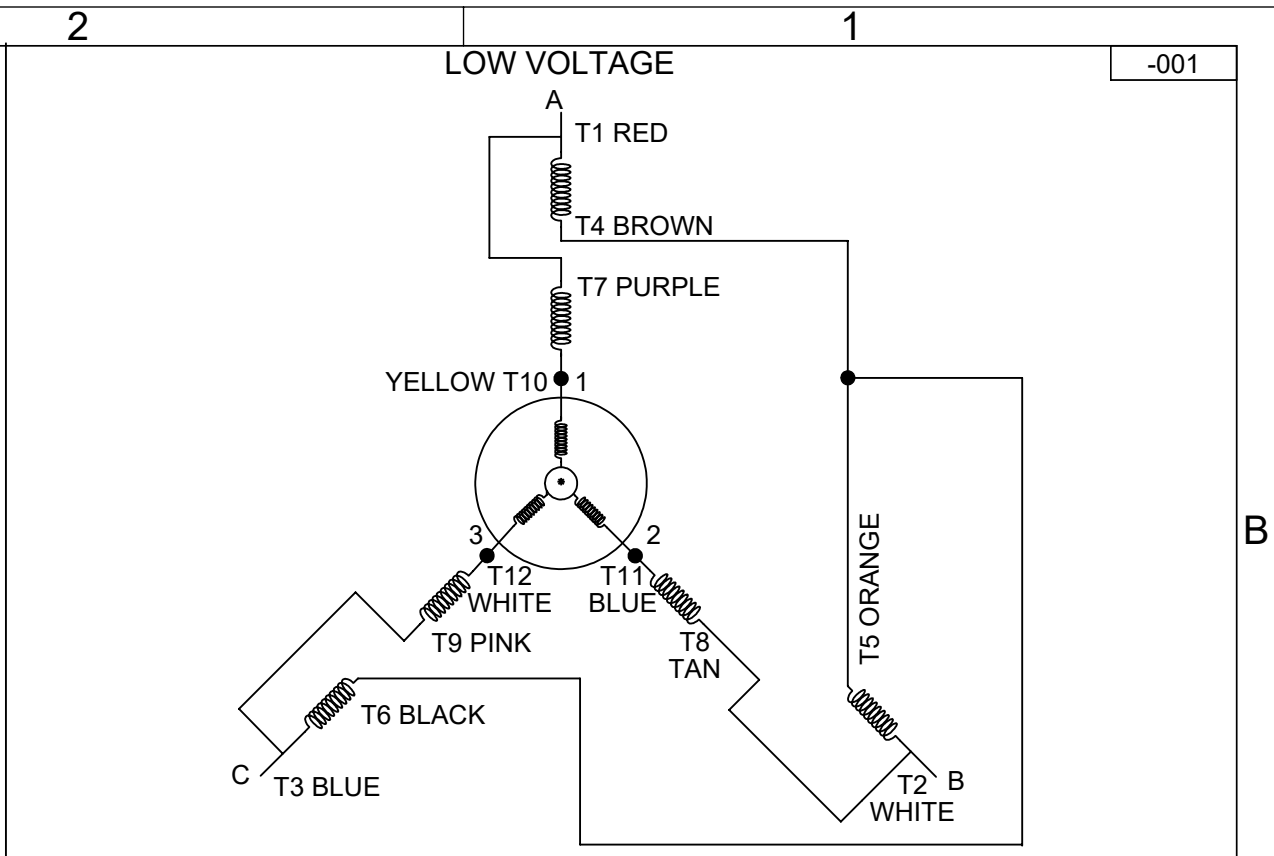
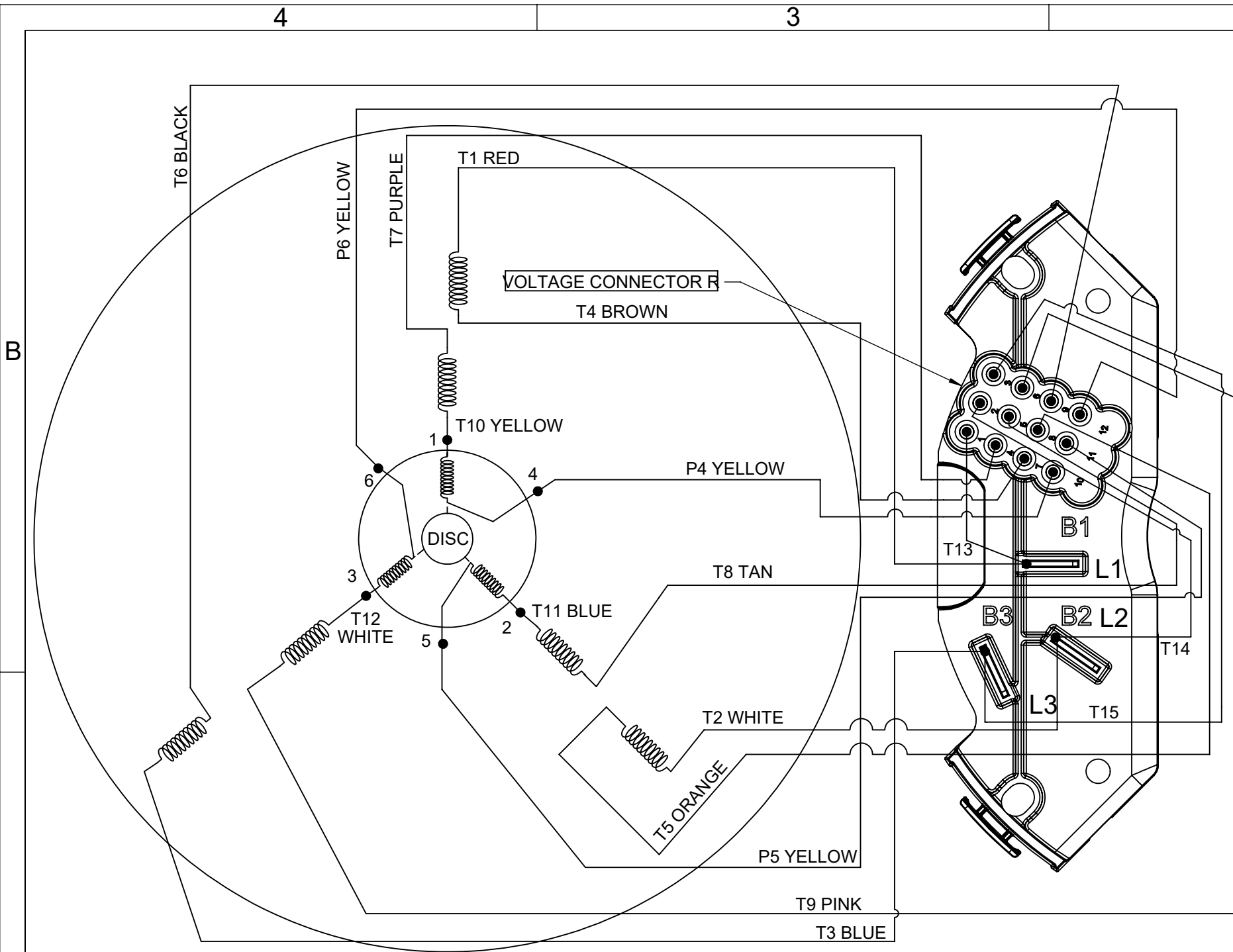
Phase	3	Output HP	0.75 & 0.50 Hp
Output KW	0.56 & 0.37 kW	Voltage	208-230/460 & 190/380 V
Speed	1725 & 1425 rpm	Service Factor	1.25 & 1.25
Frame	56	Enclosure	Drip Proof
Thermal Protection	Automatic	Efficiency	81.1 & 82.5 %
Ambient Temperature	40 °C	Frequency	60 & 50 Hz
Current	2.6-2.6/1.3 & 2.2/1.1 A	Power Factor	67
Duty	Continuous	Insulation Class	B
Design Code	B	KVA Code	N
Drive End Bearing Size	6205	Opp Drive End Bearing Size	6203
UL	Recognized	CSA	Y
CE	Y	IP Code	22
Number of Speeds	1		

### Technical Specifications

Electrical Type	Squirrel Cage Induction Run	Starting Method	Across The Line
Poles	4	Rotation	Reversible
Resistance Main	23.2 Ohms	Mounting	Rigid Base
Motor Orientation	Horizontal	Drive End Bearing	Ball
Opp Drive End Bearing	Ball	Frame Material	Rolled Steel
Shaft Type	NEMA 56	Overall Length	12.49 in
Shaft Diameter	0.625 in	Shaft Extension	1.88 in
Assembly/Box Mounting	F1 ONLY		
Outline Drawing	OL56100205-001	Connection Drawing	CDTD102



DRAWING REVISION B		REVISION BY D. VALENCIANO	DATE 02-08-2017	TOLERANCES UNLESS OTHERWISE SPECIFIED:		DRAWN BY R. ZAMARRON		Regal Beloit America, Inc.		
ECO-0117615		APPROVED BY M. RAMIREZ	DATE 02-08-2017	DEC.	INCH	mm	ANGLE		DATE 11-29-2016	
ECO DESCRIPTION WAS CORRECTED THE MOTOR ASSY				.X	±0.1	[±2.5]	±0.5°	APPROVED BY J. ORTEGA	DESCRIPTION OUTLINE	
COPYRIGHT REGAL BELOIT AMERICA, INC. ALL RIGHTS RESERVED.				.XX	±0.02	[±0.51]		DATE 11-29-2016	56FR,ODP,3-PHASE,RIGID	
PROPRIETARY AND CONFIDENTIAL INFORMATION - THIS DOCUMENT IS THE PROPERTY OF REGAL BELOIT AMERICA, INC. FORMERLY AND CONTAINS OWNER'S PROPRIETARY INFORMATION. ANY PERSON, CORPORATION OR OTHER FIRM RECEIVING IT IS DEEMED, BY RECEIVING IT, TO AGREE THAT IT, AND/OR ANY PART OF IT, SHALL NOT BE DISCLOSED TO ANY PERSON, CORPORATION OR OTHER ENTITY, DUPLICATED, AND/OR USED, EXCEPT AS EXPRESSLY APPROVED IN WRITING IN ADVANCE BY OWNER. THIS DOCUMENT SHALL BE RETURNED TO OWNER UPON REQUEST. IT MAY BE SUBJECT TO CERTAIN RESTRICTIONS UNDER APPLICABLE EXPORT CONTROL LAWS AND REGULATIONS.				.XXX	±0.005	[±0.127]		REFERENCE	MATERIAL	PROCESS FINISH
				.XXXX	±0.0005	[±0.0127]		THIRD ANGLE PROJECTION	DRAWING NUMBER OL56100205-001	SHEET 1 OF 1
				MACHINED SURFACES: 125 / 3.2		mm SHOWN IN [BRACKETS]				



- NOTES:
1. TO REVERSE ROTATION, INTERCHANGE ANY TWO LINE CONNECTIONS TO L1, L2, OR L3.
  2. REF. TERMINAL BOARD 10003352-001-001.
  3. CONNECTION-DIAGRAM NAMEPLATE DD10027-001-CCWLE DD10207-001-CWLE

DRAWING REVISION C	REVISION BY SY	REV DATE/© DATE 02/14/2025	TOLERANCES (EXCEPT AS NOTED): DEC. INCH mm ANGLE .X ±0.1 [±.3] ±0.5° .XX ±0.01 [±.03] .XXX ±0.005 [±0.13] .XXXX ±0.0005 [±0.013]	DRAWN BY G. RODRIGUEZ	Regal Beloit America, Inc.
REQUEST NUMBER ECR-0240677	APPROVED BY MA	DATE 02/14/2025	REMOVE BURRS & BREAK SHARP EDGES: .003/.015 [.08/.38] X 45° CORNER FILLETS: R.02 [.5] MACHINED SURFACES: 125/3.2 INCH/mm ARE FOR REFERENCE ONLY	DATE 07-12-2016	
REQUEST NUMBER DESCRIPTION UPDATED TERMINAL BOARD TO 0003352-001-001. COPYRIGHT (PER REVISION DATE) REGAL BELOIT AMERICA, INC. ALL RIGHTS RESERVED. PROPRIETARY AND CONFIDENTIAL INFORMATION - THIS DOCUMENT IS THE PROPERTY OF REGAL BELOIT AMERICA, INC. ("OWNER") AND CONTAINS OWNER'S PROPRIETARY INFORMATION. ANY PERSON, CORPORATION OR OTHER FIRM RECEIVING IT IS DEEMED, BY RECEIVING IT, TO AGREE THAT IT, AND/OR ANY PART OF IT, SHALL NOT BE DISCLOSED TO ANY PERSON, CORPORATION OR OTHER ENTITY, DUPLICATED, AND/OR USED, EXCEPT AS EXPRESSLY APPROVED IN WRITING IN ADVANCE BY OWNER. THIS DOCUMENT SHALL BE RETURNED TO OWNER UPON REQUEST. IT MAY BE SUBJECT TO CERTAIN RESTRICTIONS UNDER APPLICABLE EXPORT CONTROL LAWS AND REGULATIONS.				APPROVED BY R. VALENZUELA	DESCRIPTION <b>TERMINAL BOARD</b>
				DATE 07-12-2016	MATERIAL
				REFERENCE 52A110547	PROCESS/FINISH
				THIRD ANGLE PROJECTION	SIZE B
					DRAWING NUMBER <b>CDTD102</b>
					SHEET 1 OF 1

**CERTIFICATION DATA SHEET**

**Model#:** 56T17DRR70023A1 A      **WINDING#:** NT56469 NONE 3  
**CONN. DIAGRAM:** CDTD102      **ASSEMBLY:** F1 ONLY  
**OUTLINE:** OL56100205-001

**TYPICAL MOTOR PERFORMANCE DATA**

HP	KW	SYNC. RPM	F.L. RPM	FRAME	ENCLOSURE	KVA CODE	DESIGN
3/4&1/2	0.56&0.37	1800	1725&1425	56	DP	N	B

PH	Hz	VOLTS	FL AMPS	START TYPE	DUTY	INSL	S.F	AMB°C	ELEVATION
3	60/50	208- 230/460#190/ 380	2.6- 2.6/1.3&2.2/1. 1	ACROSS THE LINE	CONTINUOU S	B3	1.25/1.25	40	3300

FULL LOAD EFF: 81.1&82.5	3/4 LOAD EFF: 81.5	1/2 LOAD EFF: 76.8	GTD. EFF	ELEC. TYPE	NO LOAD AMPS
FULL LOAD PF: 67&61.3	3/4 LOAD PF: 58.6	1/2 LOAD PF: 46.6	72	SQ CAGE IND RUN	1.8 / .9

F.L. TORQUE	LOCKED ROTOR AMPS	L.R. TORQUE	B.D. TORQUE	F.L. RISE°C
2.28 LB-FT	22.6 / 11.3	9.31 LB-FT 408.49	12.47 LB-FT 546.87	28

SOUND PRESSURE @ 3 FT.	SOUND POWER	ROTOR WK^2	MAX. WK^2	SAFE STALL TIME	STARTS /HOUR	APPROX. MOTOR WGT
62 dBA	72 dBA	0.07 LB-FT^2	5 LB-FT^2	12 SEC.	2	25 LBS.

**\*\*\* SUPPLEMENTAL INFORMATION \*\*\***

DE BRACKET TYPE	ODE BRACKET TYPE	MOUNT TYPE	ORIENTATION	SEVERE DUTY	HAZARDOUS LOCATION	DRIP COVER	SCREENS	PAINT
STANDARD	STANDARD	RIGID	HORIZONTAL	FALSE	NONE	FALSE	NONE	GRAY (POWDER)

BEARINGS		GREASE	SHAFT TYPE	SPECIAL DE	SPECIAL ODE	SHAFT MATERIAL	FRAME MATERIAL
DE	OPE						
BALL	BALL	POLYREX EM	STANDARD 56	NONE	NONE	AISI 1215 (MS1000)	ROLLED STEEL
6205	6203						

THERMO-PROTECTORS				THERMISTORS	CONTROL	SPACE /n HEATERS
THERMOSTATS	PROTECTORS	WDG RTDs	BRG RTDs			
NONE	AUTOMATIC	NONE	NONE	NONE	FALSE	NONE VOLTS

If Inverter equals NONE, contact factory for further information

\*  
N  
O  
T  
E  
S  
\*

INVERTER TORQUE: NONE
INV. HP SPEED RANGE: NONE
ENCODER: NONE
NONE NONE
NONE NONE PPR
BRAKE: NONE NONE
NONE P/N NONE
NONE NONE
NONE FT-LB NONE V NONE Hz

DATE: 06/28/2017 06:57:01 AM  
FORM 3531 REV.3 02/07/99

\*\* Subject to change without notice.

Data Sheet

Date: 8/22/2017  
 Customer: \_\_\_\_\_  
 Attention: \_\_\_\_\_  
 Submitted by: VINAYAK YERATE



56T17DRR70023A1

Submittal

Data @ 460 V

Motor Load Data

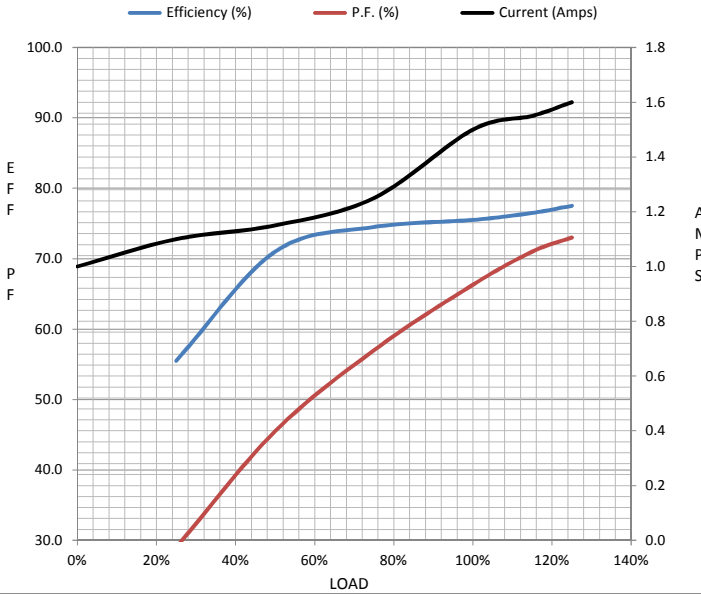
Load	0%	25%	50%	75%	100%	115%	125%	LR
Current (Amps)	1.00	1.10	1.15	1.25	1.50	1.55	1.60	9.8
Torque (ft-lb)	0.00	0.52	1.10	1.70	2.28	2.60	2.80	8.2
RPM	1800	1785	1770	1750	1725	1,722	1720	0
Efficiency (%)		55.5	71.0	74.5	75.5	76.5	77.5	
P.F. (%)	11.5	29.0	45.5	57.0	66.3	71.0	73.0	75.0

Motor Speed Data

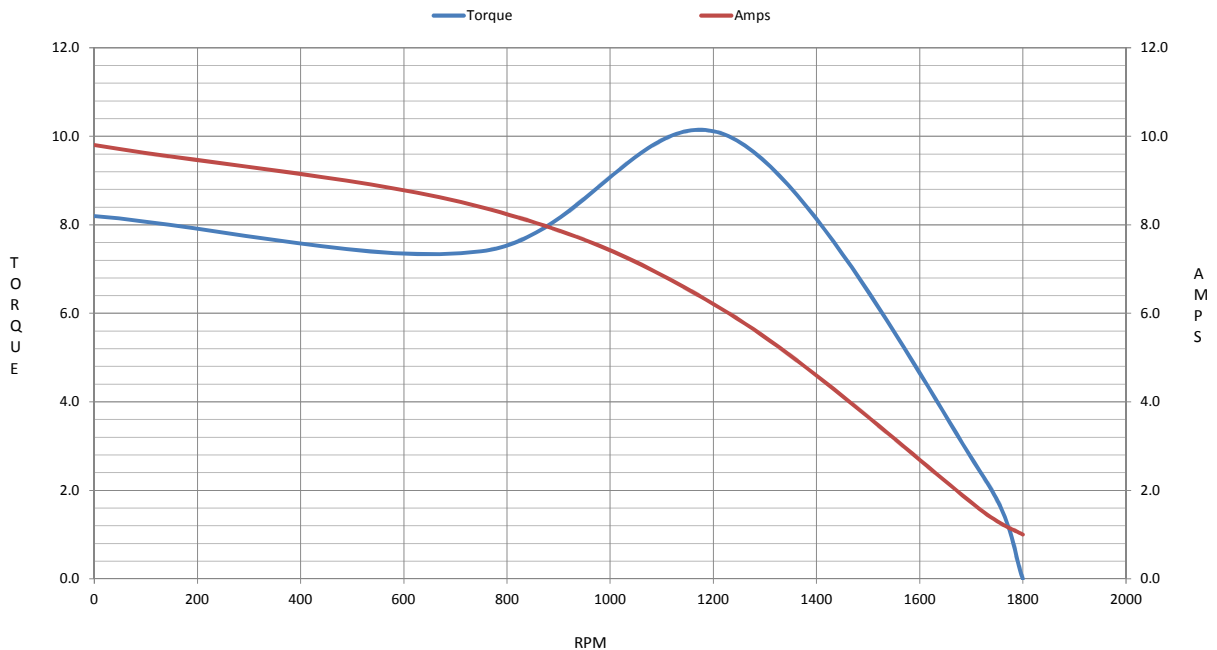
	LR	Pull-Up	BD	Rated	Idle
Speed (RPM)	0	750	1230	1725	1800
Current (Amps)	9.8	8.4	6.0	1.50	1.00
Torque (ft-lb)	8.2	7.4	10.0	2.28	0.00

Information Block

HP	0.8			
Sync. RPM	1800			
Frame	56			
Enclosure	DP			
Construction	TDR			
Voltage	208-230/460#190/380 V			
Frequency	60 Hz			
Design	B			
LR Code letter	L			
Service Factor	1.15			
Temp Rise @ FL	45 °C			
Duty	CONT			
Ambient	40 °C			
Elevation	1,000 feet			
Rotor/Shaft wk <sup>2</sup>	0.07 Lb-Ft <sup>2</sup>			
Ref Wdg	NT56469 NONE			
Sound Pressure @ 1M	62 dBA			
VFD Rating	NONE			
Outline Dwg	OL56100205-001			
Conn. Diag	CTDD102			
Additional Specifications:				
0				
0				
EQUIV CKT (OHMS / PHASE)				
R1	R2	X1	X2	Xm
0.0000	0.0000	0.0000	0.0000	0.0000



Speed - Torque Curve



REV. NOTE - CHANGED FROM MARATHON TO LEESON LOGO - 08/04/2025

## EC Declaration of Conformity

The undersigned representing  
the manufacturer:

Regal Beloit America  
1946 West Cook Road  
Fort Wayne, IN 46818

and the authorized representative  
established within the Community:

Regal Beloit Italy  
Via Modena, 18  
24040 Ciserano(BG) - Italy

are committed to providing customers with products that comply with applicable regulations and international protocols to which they are subject, including the requirements of the European Parliament Directive on the Harmonization of the laws relating to electrical equipment designed for use within certain voltage limits (2014/35/EU).

Regal Beloit America declares that the following product(s), to which this declaration relates, are in conformity with the relevant sections of the EC standards listed below.

This statement supersedes any statements previously issued pertaining to the product(s) listed below and is subject to change without notice.

Model No : 056T17DRR70023A1

(Model No. may contain prefix and/or suffix characters)

Catalog No : G908A

Rework No : N/A

Directives :

Low Voltage Directive 2014/35/EU

Harmonized Standards Used :

EN 60034-1: 2010 (IEC 60034-1: 2010)

EN 60034-5: 2001/A1:2007 (IEC 60034-5: 2000/A1:2006)

Authorized Representative:



Zach Stauffer  
Vice President, Engineering

Authorized Representative in the Community:



Stefano Casiraghi  
Technology Director, Engineering

Created on 07/08/2025

**CE 25**