

PRODUCT INFORMATION PACKET



Model No: 056T17E5311

Catalog No: G828

Explosion Proof Motor, 0.33 HP, 3 Ph, 60 Hz, 230/460 V, 1800 RPM, 56C Frame, EPNV

Operational at 208-230/460 V @60HZ



Regal and LEESON are trademarks of Regal Rexnord Corporation or one of its affiliated companies.
©2025 Regal Rexnord Corporation, All Rights Reserved. MC017097E





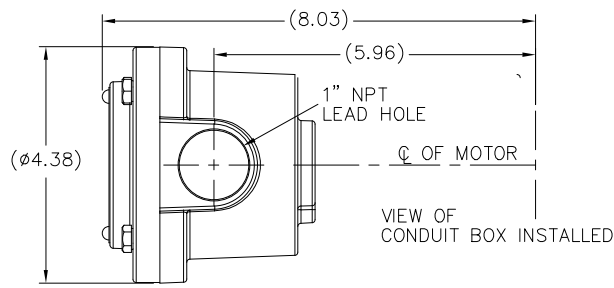
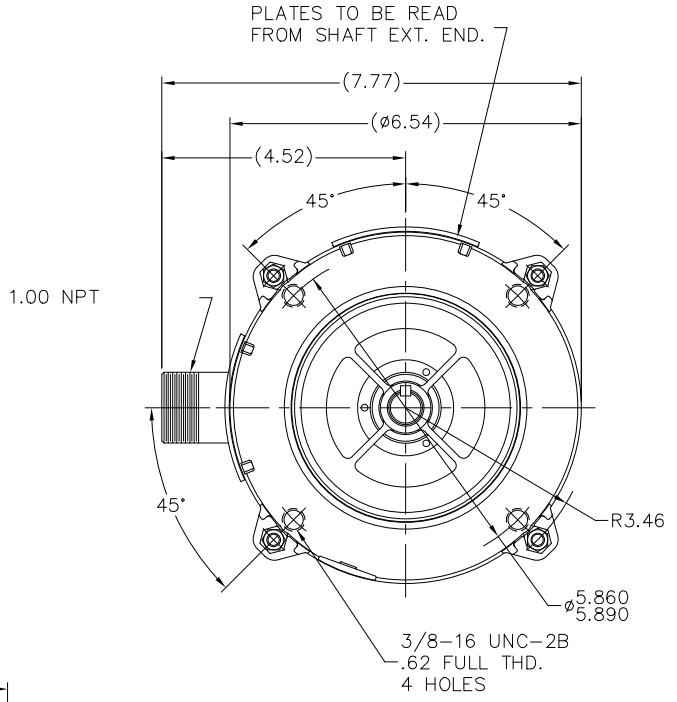
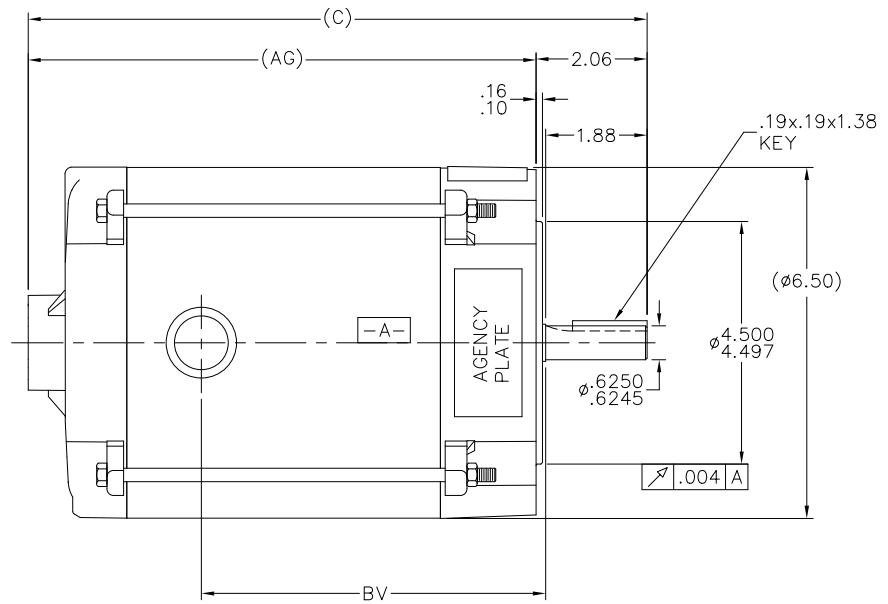
Nameplate Specifications

Phase	3	Output HP	0.33 Hp
Output KW	0.25 kW	Voltage	230/460 V
Speed	1725 rpm	Service Factor	1.00
Frame	56C	Enclosure	Explosion Proof Non Ventilated
Thermal Protection	Automatic	Efficiency	74.5 %
Ambient Temperature	40 °C	Frequency	60 Hz
Current	1.2/0.60 A	Power Factor	71
Duty	Continuous	Insulation Class	B
Design Code	B	KVA Code	K
Drive End Bearing Size	6203	Opp Drive End Bearing Size	6203
UL	UL Listed And CSA Certified	CSA	Y
CE	N	IP Code	54
Number of Speeds	1	Hazardous Location	DIV 1 EXP PROOF CL I GR CD CL II GR FG T3B

Technical Specifications

Electrical Type	Squirrel Cage Induction Run	Starting Method	Across The Line
Poles	4	Rotation	Reversible
Resistance Main	63.7 Ohms	Mounting	Round
Motor Orientation	Horizontal	Drive End Bearing	Ball
Opp Drive End Bearing	Ball	Frame Material	Rolled Steel
Shaft Type	NEMA 56	Overall Length	11.97 in
Frame Length	6.31 in	Shaft Diameter	0.625 in
Shaft Extension	2.06 in	Assembly/Box Mounting	F1 ONLY
Outline Drawing	B-104197-631	Connection Drawing	A-EE7335

4 3 2 1



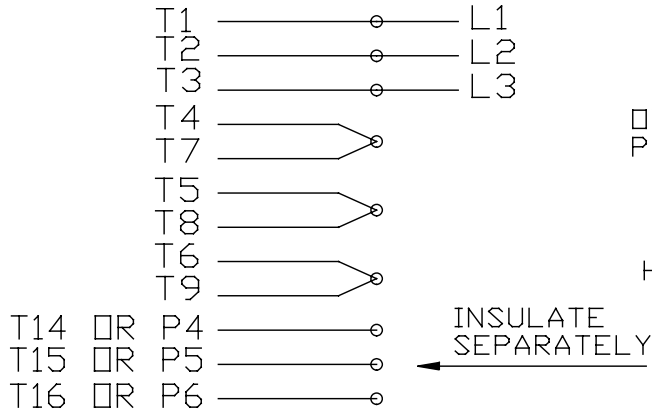
DASH	(C)	(AG)	BV		
631	11.97	9.91	6.90		
681	12.47	10.41	7.40		
731	12.97	10.91	7.90		
781	13.47	11.41	8.40		
831	13.97	11.91	8.90		
881	14.47	12.41	9.40		
931	14.97	12.91	9.90		
981	15.47	13.41	10.40		

DRAWING REVISION 9	REVISION BY GKB	REV DATE/ DATE 04/14/2025	TOLERANCES (EXCEPT AS NOTED): DEC. INCH mm ANGLE .X ±0.1 [±3] ±0.5° .XX ±0.01 [±0.3] .XXX ±0.005 [±0.13] .XXXX ±0.0005 [±0.013]		DRAWN BY MH	Regal Beloit America, Inc.		
REQUEST NUMBER ECR-0242041	APPROVED BY RK	DATE 04/14/2025	REMOVE BURRS & BREAK SHARP EDGES: .003/.015 [.08/.38] X 45 CORNER FILLETS: R.02 [.5] MACHINED SURFACES: 125/3.2 INCH mm		DATE 12/10/1996			
REQUEST NUMBER DESCRIPTION CHANGED FROM MARATHON TO RRX TEMPLATE			mm DIMENSIONS IN [BRACKETS] ARE FOR REFERENCE ONLY		APPROVED BY GK	DESCRIPTION OUTLINE-'C' FACE 56 FR. - EXP. PR		
COPYRIGHT (PER REVISION DATE) REGAL BELOIT AMERICA, INC. ALL RIGHTS RESERVED. PROPRIETARY AND CONFIDENTIAL INFORMATION - THIS DOCUMENT IS THE PROPERTY OF REGAL BELOIT AMERICA, INC. (OWNER) AND CONTAINS OWNER'S PROPRIETARY INFORMATION. ANY PERSON, CORPORATION OR OTHER FIRM RECEIVING IT IS DEEMED, BY RECEIVING IT, TO AGREE THAT IT, AND/OR ANY PART OF IT, SHALL NOT BE DISCLOSED TO ANY PERSON, CORPORATION OR OTHER ENTITY, DUPLICATED, AND/OR USED, EXCEPT AS EXPRESSLY APPROVED IN WRITING IN ADVANCE BY OWNER. THIS DOCUMENT SHALL BE RETURNED TO OWNER UPON REQUEST. IT MAY BE SUBJECT TO CERTAIN RESTRICTIONS UNDER APPLICABLE EXPORT CONTROL LAWS AND REGULATIONS.					DATE 01/13/1997			
					REFERENCE	MAT'L	PROCESS/FINISH	
					THIRD ANGLE PROJECTION	SIZE D	DRAWING NUMBER 104197	SHEET 1 OF 1

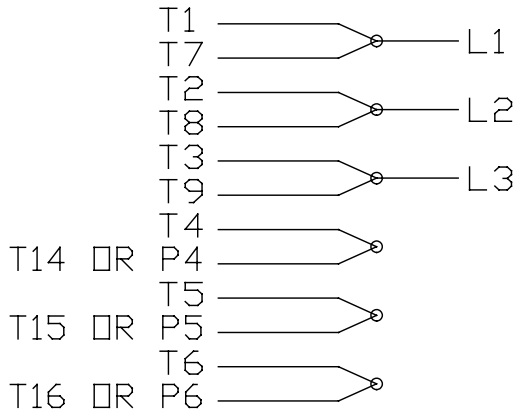
4 3 2 1

EE7335

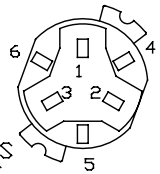
HIGH VOLTAGE CONNECTIONS



LOW VOLTAGE CONNECTIONS



THREE PHASE - DUAL VOLTAGE MOTOR WITH OVERLOAD PROTECTOR

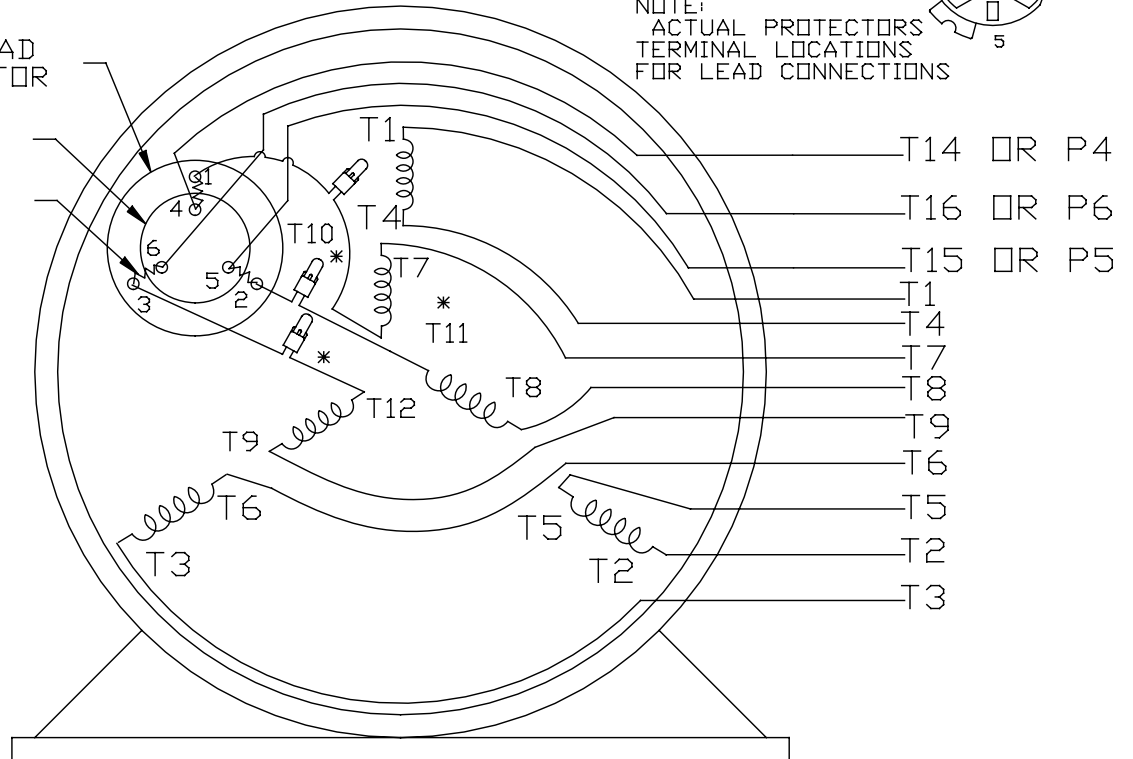


NOTE:
ACTUAL PROTECTORS
TERMINAL LOCATIONS
FOR LEAD CONNECTIONS

OVERLOAD PROTECTOR

DISC

HEATER



VIEW OF TERMINAL END

* USE PRESSURE CONNECTORS FOR MT2 PLANT ONLY

T2K
T4D
T6AN

NO.	REVISION	BY & DATE	CHK	TOLERANCES UNLESS SPECIFIED		FINISH	DRAWN	SCALE	REV.
				DEC.	INCHES				
17	CHANGED LOGO FROM MARATHON TO REGAL	KIR 02/16/16	AB	DEC.	INCHES	REGAL™ Regal Beloit America, Inc.	KL 08-09-1993	1=1	17
16	PRESSURE CONNECTORS QUANTITY WAS 6	PVR 10/29/13	GR	.X	±.1		CHK ML 08/10/1993		
15	PRESSURE CONNECTORS ADDED	GR 03/04/13	SR	.XX	±.01	TITLE CONNECTION DIAGRAM	APPD GK 08/10/1993		
14	ADDED ACTUAL PROECTOR VIEW CN 17481	KL 05/18/94		.XXX	±.005	3Ø-DUAL VOLT WITH OVERLOAD PROTECTO	REF		
13	REDRAWN IN AUTO CAD	KL 08/11/93		.XXXX	±.0005	MAT'L.	FMF		
				ANG	±1/2*		PREV		
				RFP	CAD FILE	EE7335	SIZE	DRAWING NO.	
				DIST			A	EE7335	

THIS DRAWING IN DESIGN AND DETAIL IS OUR PROPERTY AND MUST NOT BE USED EXCEPT IN CONNECTION WITH OUR WORK ALL RIGHTS OF DESIGN AND INVENTION ARE RESERVED THIS IS AN ELECTRONICALLY GENERATED DOCUMENT - DO NOT SCALE THIS PRINT



CERTIFICATION DATA SHEET

CUSTOMER:

CUSTOMER

ORDER #:

PO#:

CONN. DIAGRAM: A-EE7335

MODEL #: 56T17E5311 D

CUSTOMER PART

OUTLINE: B-104197-631

#:

MOUNTING: F1 ONLY

WINDING #: ZT493 R6 3

TYPICAL MOTOR PERFORMANCE DATA

HP	kW	SYNC. RPM	F.L. RPM	FRAME	ENCLOSURE	KVA CODE	DESIGN
1/3	0.25	1800	1725	56C	EPNV	K	B

PH	Hz	VOLTS	AMPS	START TYPE	DUTY	INSL	S.F.	AMB°C
3	60	208-230/460	1.2-1.2/.6	ACROSS THE LINE	CONTINUOUS	B3	1.0	40

FULL LOAD EFF:	74.5	3/4 LOAD EFF:	72.5	1/2 LOAD EFF:	67.5	GTD. EFF		ELEC. TYPE	
FULL LOAD PF:	71	3/4 LOAD PF:	64	1/2 LOAD PF:	52	71.5		SQ CAGE IND RUN	

F.L. TORQUE	LOCKED ROTOR AMPS	L.R. TORQUE	B.D. TORQUE	F.L. RISE°C
1 LB-FT	7.2 / 3.6	3 LB-FT 300 %	3.75 LB-FT 375 %	45

SOUND PRESSURE @ 3 FT.	SOUND POWER	ROTOR WK^2	MAX. WK^2	SAFE STALL TIME	STARTS / HOUR	APPROX. MOTOR WGT
60 dBA	70 dBA	0.038 LB-FT^2	2 LB-FT^2	15 SEC.	2	21 LBS.

***** SUPPLEMENTAL INFORMATION *****

DE BRACKET TYPE	ODE BRACKET TYPE	MOUNT TYPE	ORIENTATION	SEVERE DUTY	HAZARDOUS LOCATION	DRIP COVER	SCREENS	PAINT
C-FACE	STANDARD	ROUND	HORIZONTAL	FALSE	EXP PROOF CL I GR C&D CL II GR F&G T3B	FALSE	NONE	GRAY (POWDER)

BEARINGS		GREASE	SHAFT TYPE	SPECIAL DE	SPECIAL ODE	SHAFT MATERIAL	FRAME MATERIAL
DE	ODE						
BALL	BALL	POLYREX EM	STANDARD 56	NONE	NONE	1144 STRESSPROOF (C-223)	ROLLED STEEL
6203	6203						

THERMO-PROTECTORS				THERMISTORS	CONTROL	SPACE HEATERS
THERMOSTATS	PROTECTORS	WDG RTDs	BRG RTDs			
NONE	AUTOMATIC	NONE	NONE	NONE	FALSE	NONE VOLTS

*
N
O
T
E
S

*

INVERTER TORQUE: NONE
INV. HP SPEED RANGE: NONE
ENCODER: NONE
NONE NONE
NONE NONE PPR
BRAKE: NONE NONE
NONE P/N NONE
NONE NONE
NONE FT-LB NONE V NONE Hz

REV 1 - CHANGED LOGO FROM MARATHON TO LEESON - 3/25/2025

PREPARED BY: Bhargavi Dontham

DATE: 04/01/2019 05:41:18 AM

FORM 3531 REV.3 02/07/99

** Subject to change without notice.



REGL REXNORD CORPORATION
TYPICAL PERFORMANCE CURVE for AC MOTOR

Customer

Curve at

460

Volts

HP 0.33

PHASE 3

Model No 56T17E5311

60

HZ

VOLTS 208-230/460

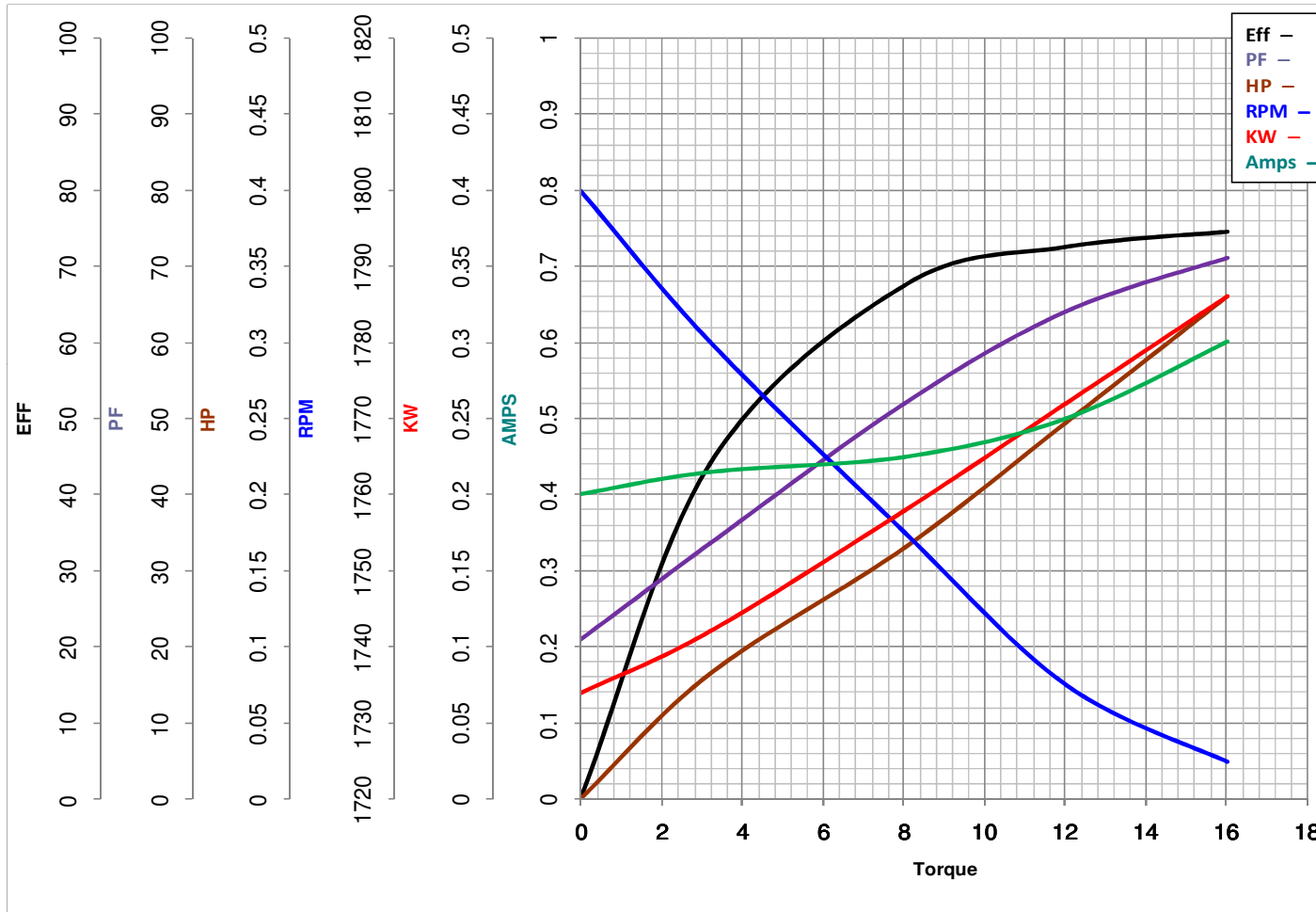
0.33

HP

Catalog No G828

HZ 60

RPM 1725



Torque in Oz.Ft

FL TORQUE 16 Oz.Ft
 BD TORQUE 60.0 Oz.Ft
 LR TORQUE 48 Oz.Ft

FL AMPS 1.2-1.2/6
 PU TORQUE 46.4 Oz.Ft
 LR AMPS 3.6

WINDING ZT493-3

Date 1/30/2019