

# PRODUCT INFORMATION PACKET



Model No: 056T17W99021

Catalog No: K608A

Severe Duty Motor, 1 HP, 3 Ph, 60 Hz, 230/460 V, 1800 RPM, 56C Frame, TEFC

Regal and LEESON are trademarks of Regal Rexnord Corporation or one of its affiliated companies.  
©2026 Regal Rexnord Corporation, All Rights Reserved. MC017097E



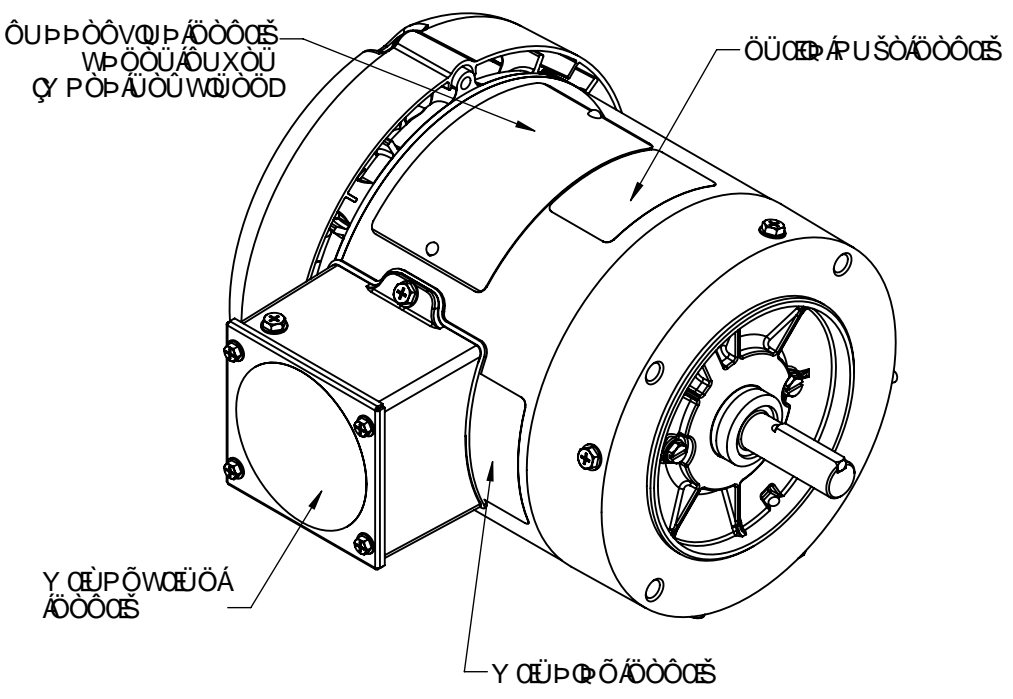
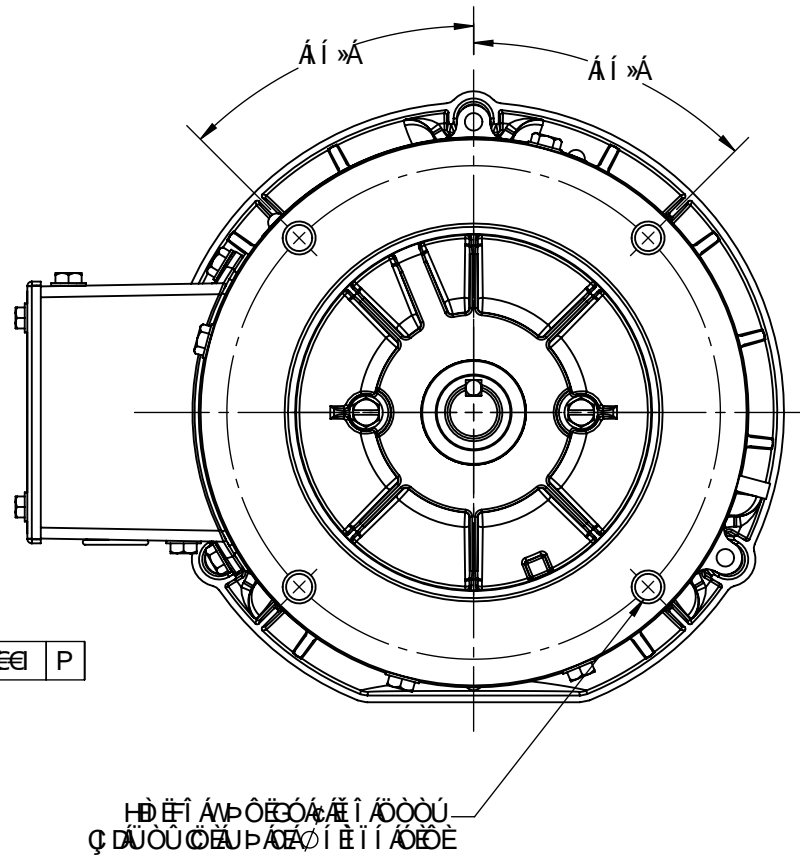
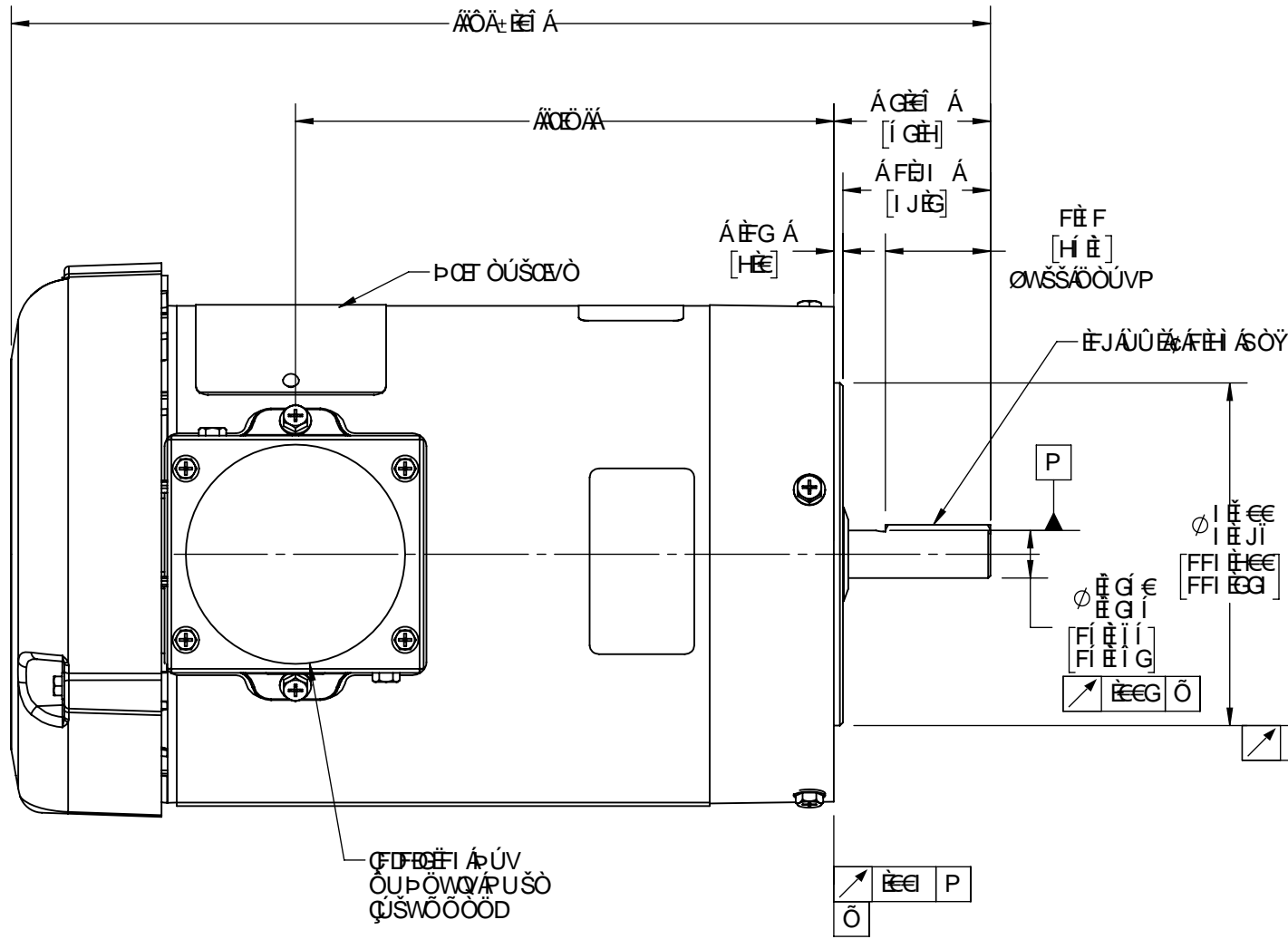
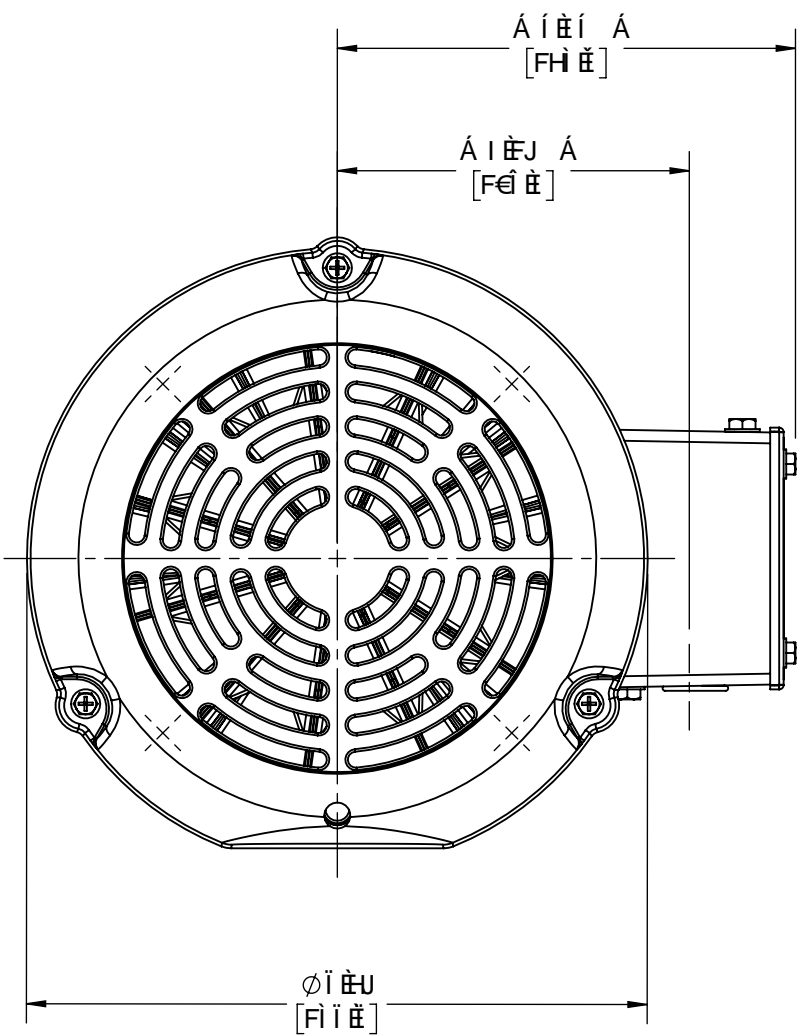


**Nameplate Specifications**

Phase	<b>3</b>	Output HP	<b>1 Hp</b>
Output KW	<b>0.75 kW</b>	Voltage	<b>230/460 V</b>
Speed	<b>1760 rpm</b>	Service Factor	<b>1.15</b>
Frame	<b>56C</b>	Enclosure	<b>Totally Enclosed Fan Cooled</b>
Thermal Protection	<b>No Protection</b>	Efficiency	<b>85.5 %</b>
Ambient Temperature	<b>40 °C</b>	Frequency	<b>60 Hz</b>
Current	<b>3.2/1.6 A</b>	Power Factor	<b>68.5</b>
Duty	<b>Continuous</b>	Insulation Class	<b>F</b>
Design Code	<b>B</b>	KVA Code	<b>N</b>
Drive End Bearing Size	<b>6205</b>	Opp Drive End Bearing Size	<b>6203</b>
UL	<b>Recognized</b>	CSA	<b>Y</b>
CE	<b>Y</b>	IP Code	<b>55</b>
Number of Speeds	<b>1</b>		

**Technical Specifications**

Electrical Type	<b>Squirrel Cage Induction Run</b>	Starting Method	<b>Across The Line</b>
Poles	<b>4</b>	Rotation	<b>Reversible</b>
Resistance Main	<b>12.96 Ohms</b>	Mounting	<b>Round</b>
Motor Orientation	<b>Horizontal</b>	Drive End Bearing	<b>Ball</b>
Opp Drive End Bearing	<b>Ball</b>	Frame Material	<b>Rolled Steel</b>
Shaft Type	<b>NEMA 56</b>	Overall Length	<b>12.87 in</b>
Frame Length	<b>7.00 in</b>	Shaft Diameter	<b>0.625 in</b>
Shaft Extension	<b>2.06 in</b>	Assembly/Box Mounting	<b>F1 ONLY</b>
Connection Drawing	<b>005010.20</b>	Outline Drawing	<b>607-0006-750</b>

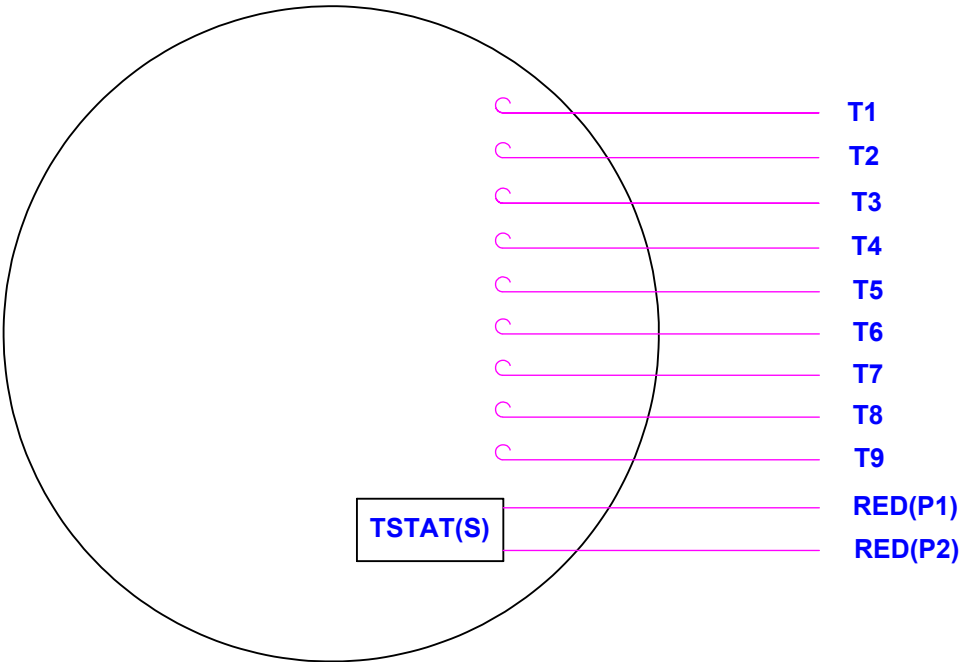


ÖÇËΠÁ PUE	ÄÖÄ	ÄÖÄÄ
í ÈÈ	FÈÈí	í Èí
í ÈÈ	FÈÈí	í ÈÈ
í ÈÈ	FFÈí	í Èí
í ÈÈ	FFÈí	í ÈÈ
í ÈÈ	FGÈí	í Èí
í ÈÈ	FGÈí	í ÈÈ
í ÈÈ	FÈÈí	í Èí
í ÈÈ	FÈÈí	í ÈÈ
í ÈÈ	FÈÈí	í Èí
í ÈÈ	FÈÈí	í ÈÈ

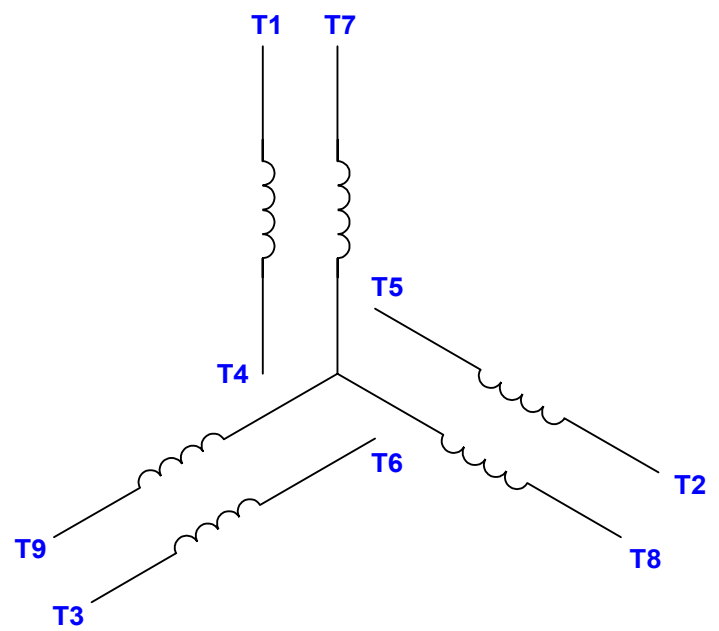
**Υ ÇËΠÖΩÇÈÖÁ UVUÜ**  
 ÜÜÖÖÇÈÄÖÇÈWÜÖÜK  
 FÈ ÜΠÇÈVÁÜÖÇÈSÜBÁÈÜÖÈÈ  
 ÇÈ ÜSΩÖÖÖÄÜÇÈPUSÖÜÄÖPÖÖÖSŠÜBÁÜPÖWVÁÜYÈ  
 HÈ ÖWÇÈPÖÇÈSÖVÜÁPÜUWÖPÜWÈ  
 í È ÜVÇÈSÖUÁVÜÖSÁPÇÈVÈPÇÈÜÖY ÇÈÜÖBÁÇÈT ÖÜSÇÈVÖÈ

ÖÇËΠÁ PUE	ÄÖÄ	ÄÖÄÄ	ÜÜÖÖÇÈÄÖÇÈWÜÖÜK	ÜÜÖÖÇÈÄÖÇÈWÜÖÜK	ÜÜÖÖÇÈÄÖÇÈWÜÖÜK
í ÈÈ	FÈÈí	í Èí	FÈ ÜΠÇÈVÁÜÖÇÈSÜBÁÈÜÖÈÈ	FÈ ÜΠÇÈVÁÜÖÇÈSÜBÁÈÜÖÈÈ	FÈ ÜΠÇÈVÁÜÖÇÈSÜBÁÈÜÖÈÈ
í ÈÈ	FÈÈí	í ÈÈ	ÇÈ ÜSΩÖÖÖÄÜÇÈPUSÖÜÄÖPÖÖÖSŠÜBÁÜPÖWVÁÜYÈ	ÇÈ ÜSΩÖÖÖÄÜÇÈPUSÖÜÄÖPÖÖÖSŠÜBÁÜPÖWVÁÜYÈ	ÇÈ ÜSΩÖÖÖÄÜÇÈPUSÖÜÄÖPÖÖÖSŠÜBÁÜPÖWVÁÜYÈ
í ÈÈ	FFÈí	í Èí	HÈ ÖWÇÈPÖÇÈSÖVÜÁPÜUWÖPÜWÈ	HÈ ÖWÇÈPÖÇÈSÖVÜÁPÜUWÖPÜWÈ	HÈ ÖWÇÈPÖÇÈSÖVÜÁPÜUWÖPÜWÈ
í ÈÈ	FFÈí	í ÈÈ	í È ÜVÇÈSÖUÁVÜÖSÁPÇÈVÈPÇÈÜÖY ÇÈÜÖBÁÇÈT ÖÜSÇÈVÖÈ	í È ÜVÇÈSÖUÁVÜÖSÁPÇÈVÈPÇÈÜÖY ÇÈÜÖBÁÇÈT ÖÜSÇÈVÖÈ	í È ÜVÇÈSÖUÁVÜÖSÁPÇÈVÈPÇÈÜÖY ÇÈÜÖBÁÇÈT ÖÜSÇÈVÖÈ
í ÈÈ	FGÈí	í Èí			
í ÈÈ	FGÈí	í ÈÈ			
í ÈÈ	FÈÈí	í Èí			
í ÈÈ	FÈÈí	í ÈÈ			
í ÈÈ	FÈÈí	í Èí			
í ÈÈ	FÈÈí	í ÈÈ			

VIEW FROM OUTSIDE OF MOTOR AT SWITCH END.



LINE LEADS



VOLTAGE	L1	L2	L3	JOIN & INSULATE
HIGH	T1	T2	T3	(T4,T7) (T5,T8) (T6,T9)
LOW	T1,T7	T2,T8	T3,T9	T4,T5,T6

DRAWING REVISION H REVISION BY KVDG DATE 09/18/2024

ECO ECR-0237142 APPROVED BY DS DATE 09/19/2024

ECO DESCRIPTION ADDED P1 & P2 FOR TSTAT

COPYRIGHT REGAL BELOIT AMERICA, INC. ALL RIGHTS RESERVED. PROPRIETARY AND CONFIDENTIAL INFORMATION - THIS DOCUMENT IS THE PROPERTY OF REGAL BELOIT AMERICA, INC. ("OWNER") AND CONTAINS OWNER'S PROPRIETARY INFORMATION. ANY PERSON, CORPORATION OR OTHER FIRM RECEIVING IT IS DEEMED, BY RECEIVING IT, TO AGREE THAT IT, AND/OR ANY PART OF IT, SHALL NOT BE DISCLOSED TO ANY PERSON, CORPORATION OR OTHER ENTITY, DUPLICATED, AND/OR USED, EXCEPT AS EXPRESSLY APPROVED IN WRITING IN ADVANCE BY OWNER. THIS DOCUMENT SHALL BE RETURNED TO OWNER UPON REQUEST. IT MAY BE SUBJECT TO CERTAIN RESTRICTIONS UNDER APPLICABLE EXPORT CONTROL LAWS AND REGULATIONS.

TOLERANCES UNLESS OTHERWISE SPECIFIED:

DEC.	INCH	mm	ANGLE
.X	±0.1	[±2.5]	±0.5°
.XX	±0.01	[±0.25]	
.XXX	±0.005	[±0.127]	
.XXXX	±0.0005	[±0.0127]	

REMOVE BURRS & BREAK SHARP EDGES: .003/.015 [.076/.381] X 45°  
CORNER FILLETS: R.02 [.51]  
MACHINED SURFACES: 125/3.2 INCH/mm

mm SHOWN IN [BRACKETS]

DRAWN BY DBT 12/16/97

DATE

APPROVED BY KH 12/17/97

DATE

REFERENCE

THIRD ANGLE PROJECTION



DESCRIPTION  
**CONN DIAGRAM-EXTERNAL**  
3 PHASE WITH PROTECTOR

MATERIAL DECAL - 004014 (TSTAT) - 080582	PROCESS/FINISH STOCK
SIZE A	DRAWING NUMBER 00501020
SHEET 1 OF 1	



DATA VOLTS: 460

**CERTIFICATION DATA SHEET**

CUSTOMER: \_\_\_\_\_ CUSTOMER P.O. #: \_\_\_\_\_  
 ORDER #: \_\_\_\_\_ REFERENCE MODEL #: 56T17W99021  
 CONN. DIAGRAM: 005010.20 CAT #: K608A  
 OUTLINE: 607-0006ME-700 CUSTOMER PART #: \_\_\_\_\_  
 WINDING: T634342 FR 3 MOUNTING: F1 ONLY  
 SPEED: \_\_\_\_\_

**TYPICAL MOTOR PERFORMANCE DATA**

HP	KW	SYNC RPM	FL RPM	FRAME	ENCLOSURE	TYPE	KVA CODE	DESIGN
1	0.75	1800	1760	56C	TEFC	TFR	N	B

PH	HZ	VOLTS	AMPS	START TYPE	DUTY	INSL	S.F.	AMB	ELEV.
3	60	230/460	3.1/1.55	ACROSS THE LINE	CONT	F	1.15	40	3300

F.L. EFF	85.5	3/4 LD EFF	85.4	1/2 LD EFF	79.6	GTD EFF	ELECT. TYPE
F.L. PF	68.5	3/4 LD PF	61.5	1/2 LD PF	51.5	0.0	SQ CAGE IND RUN

F.L. TORQUE	LR AMPS @ 460 V	L.R. TORQUE	B.D. TORQUE	F.L. RISE (°C)
3.0 LB-FT	14.0	12.0 LB-FT 400%	15.8 LB-FT 527%	38

@ 3 FT.	POWER	ROTOR WK <sup>2</sup>	MAX. LOAD WK <sup>2</sup>	SAFE STALL TIME	STARTS/HOUR	MOTOR WGT
65 dBA	74 dBA	0.12 LB-FT <sup>2</sup>	0 LB-FT <sup>2</sup>	10 SEC.	0	0 LB.

**\*\*\* SUPPLEMENTAL INFORMATION \*\*\***

DE BRACKET TYPE	ODE BRACKET TYPE	MOUNT TYPE	MOTOR ORIENTATION	SEVERE DUTY	HAZARDOUS LOCATION	DRIP COVER	SCREENS	PAINT
C-FACE	STANDARD	ROUND	HORIZONTAL	NO	NONE	NO	NONE	GRAY - EPOXY

BEARINGS		GREASE	SHAFT TYPE	SPECIAL DE	SPECIAL ODE	SHAFT MATERIAL	FRAME MATERIAL
DE	ODE	POLYREX EM	STANDARD 56	NONE	NONE	303 STAINLESS (C-501)	ROLLED STEEL
BALL	BALL						
6205	6203						

THERMOSTATS	PROTECTORS	WDG RTD's	BRG RTD's	THERMISTORS	CONTROL	SPACE HEATERS
NONE	AUTOMATIC	NONE	NONE	NONE	FALSE	NA

R1 (ohms/ph)	R2 (ohms/ph)	X1 (ohms/ph)	X2 (ohms/ph)	Xm (ohms/ph)	VIBRATION (in/sec)	FLOAT
0	0	0	0	0	0.080	ODE

* N O T E S *	INVERTER TORQUE: NONE INV. HP SPEED RANGE: NONE					
	ENCODER: NONE NONE NONE					
	BRAKE: NONE NONE					
	FT-LB: NA VOLTAGE: NONE					
	UL: V-INS, CONST UL REC					

PREPARED BY: FAREEDA DUDEKULA  
 DATE: 9/12/2018

FORM: 3531 REV\_4 2/27/06

Data Sheet

Date: 12/3/2018  
 Customer: \_\_\_\_\_  
 Attention: \_\_\_\_\_  
 Submitted by: FAREEDA DUDEKULA



56T17W99021

Submittal

Data @ 460 V

Motor Load Data

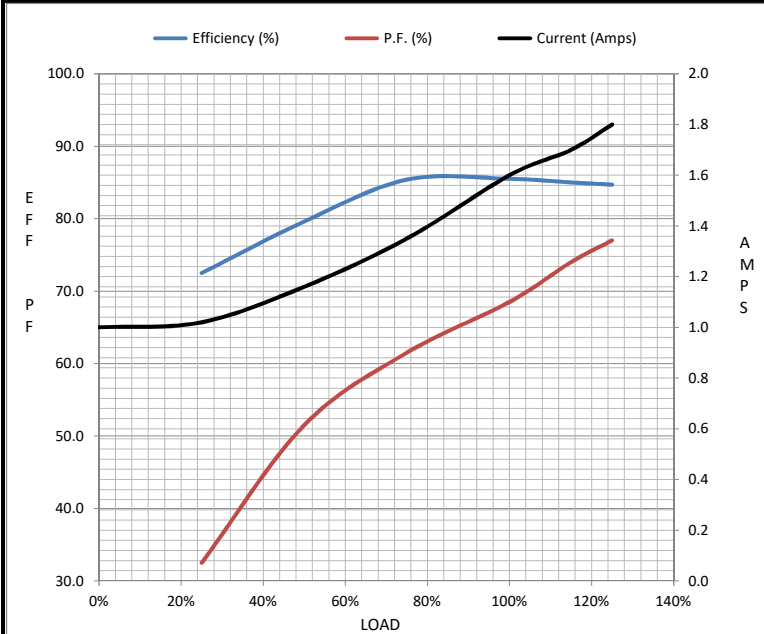
Load	0%	25%	50%	75%	100%	115%	125%	LR
Current (Amps)	1.00	1.02	1.16	1.35	1.60	1.70	1.80	14.0
Torque (ft-lb)	0.00	0.75	1.50	2.25	3.0	3.5	3.8	12.0
RPM	1800	1789	1779	1769	1760	1,750	1745	0
Efficiency (%)		72.5	79.6	85.4	85.5	85.0	84.7	
P.F. (%)	8.0	32.5	51.5	61.5	68.5	74.0	77.0	41.0

Motor Speed Data

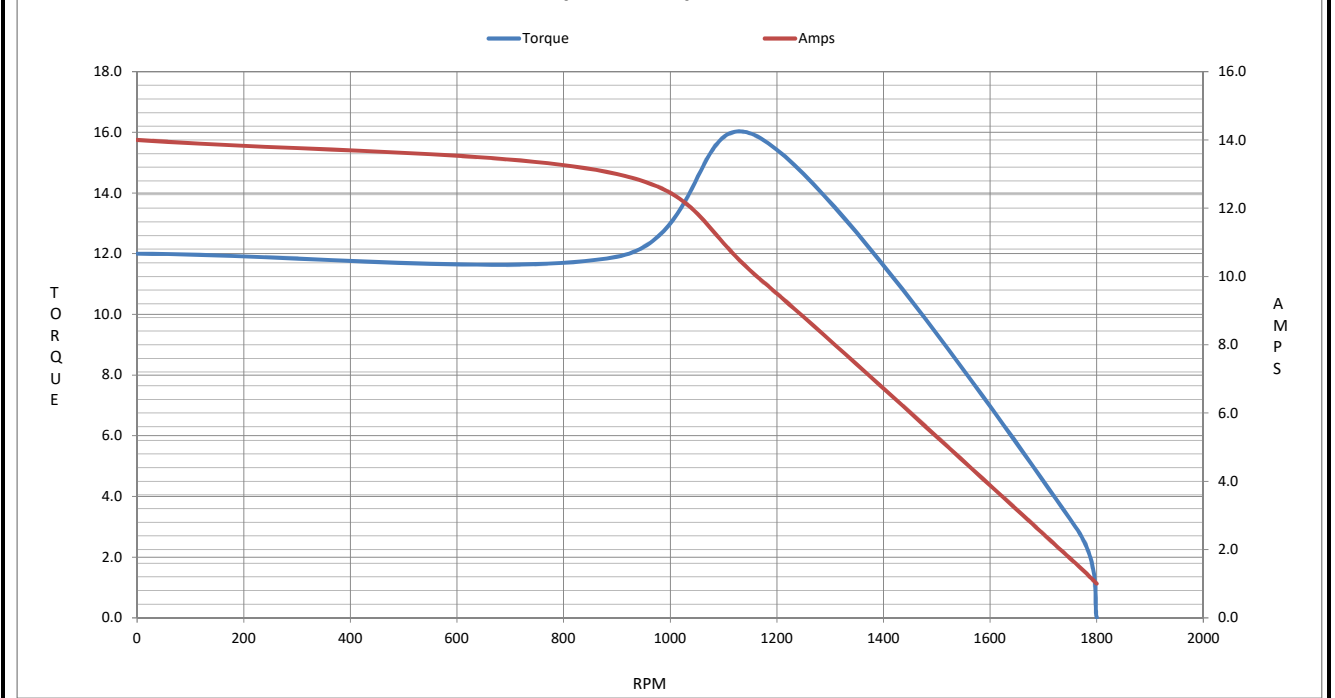
	LR	Pull-Up	BD	Rated	Idle
Speed (RPM)	0	900	1170	1760	1800
Current (Amps)	14.0	13.0	9.9	1.60	1.00
Torque (ft-lb)	12.0	11.9	15.8	3.0	0.00

Information Block

HP	1.0			
Sync. RPM	1800			
Frame	56			
Enclosure	TEFC			
Construction	TS			
Voltage	230/460 V			
Frequency	60 Hz			
Design	B			
LR Code letter	N			
Service Factor	1.15			
Temp Rise @ FL	38 °C			
Duty	CONT			
Ambient	40 °C			
Elevation	1,000 feet			
Rotor/Shaft wk <sup>2</sup>	0.12 Lb-Ft <sup>2</sup>			
Ref Wdg	T634342 FR			
Sound Pressure @ 1M	65 dBA			
VFD Rating	NONE			
Outline Dwg	607-0006ME-700			
Conn. Diag	005010.20			
Additional Specifications:				
0				
0				
EQUIV CKT (OHMS / PHASE)				
R1	R2	X1	X2	Xm
0.0000	0.0000	0.0000	0.0000	0.0000



Speed - Torque Curve



## EC Declaration of Conformity

The undersigned representing  
the manufacturer:

Regal Beloit America  
1946 West Cook Road  
Fort Wayne, IN 46818

and the authorized representative  
established within the Community:

Regal Beloit Italy  
Via Modena, 18  
24040 Ciserano(BG) - Italy

are committed to providing customers with products that comply with applicable regulations and international protocols to which they are subject, including the requirements of the European Parliament Directive on the Harmonization of the laws relating to electrical equipment designed for use within certain voltage limits (2014/35/EU).

Regal Beloit America declares that the following product(s), to which this declaration relates, are in conformity with the relevant sections of the EC standards listed below.

This statement supersedes any statements previously issued pertaining to the product(s) listed below and is subject to change without notice.

Model No : 056T17W99021

(Model No. may contain prefix and/or suffix characters)

Catalog No : K608A

Rework No : N/A

Directives :

Low Voltage Directive 2014/35/EU

Harmonized Standards Used :

EN 60034-1: 2010 (IEC 60034-1: 2010)

EN 60034-5: 2001/A1:2007 (IEC 60034-5: 2000/A1:2006)

Authorized Representative:



Zach Stauffer  
Vice President, Engineering

Authorized Representative in the Community:



Stefano Casiraghi  
Technology Director, Engineering

Created on 07/08/2025

**CE 25**