

PRODUCT INFORMATION PACKET



Model No: 090LT17FH6519

Catalog No: R398A

Aluminium Motor, 2 & 2 HP, 3 Ph, 60 & 50 Hz, 230/460 & 200/400 V, 1800 & 1500 RPM, 90L Frame, TEFC



Regal and LEESON are trademarks of Regal Rexnord Corporation or one of its affiliated companies.

©2025 Regal Rexnord Corporation, All Rights Reserved. MC017097E



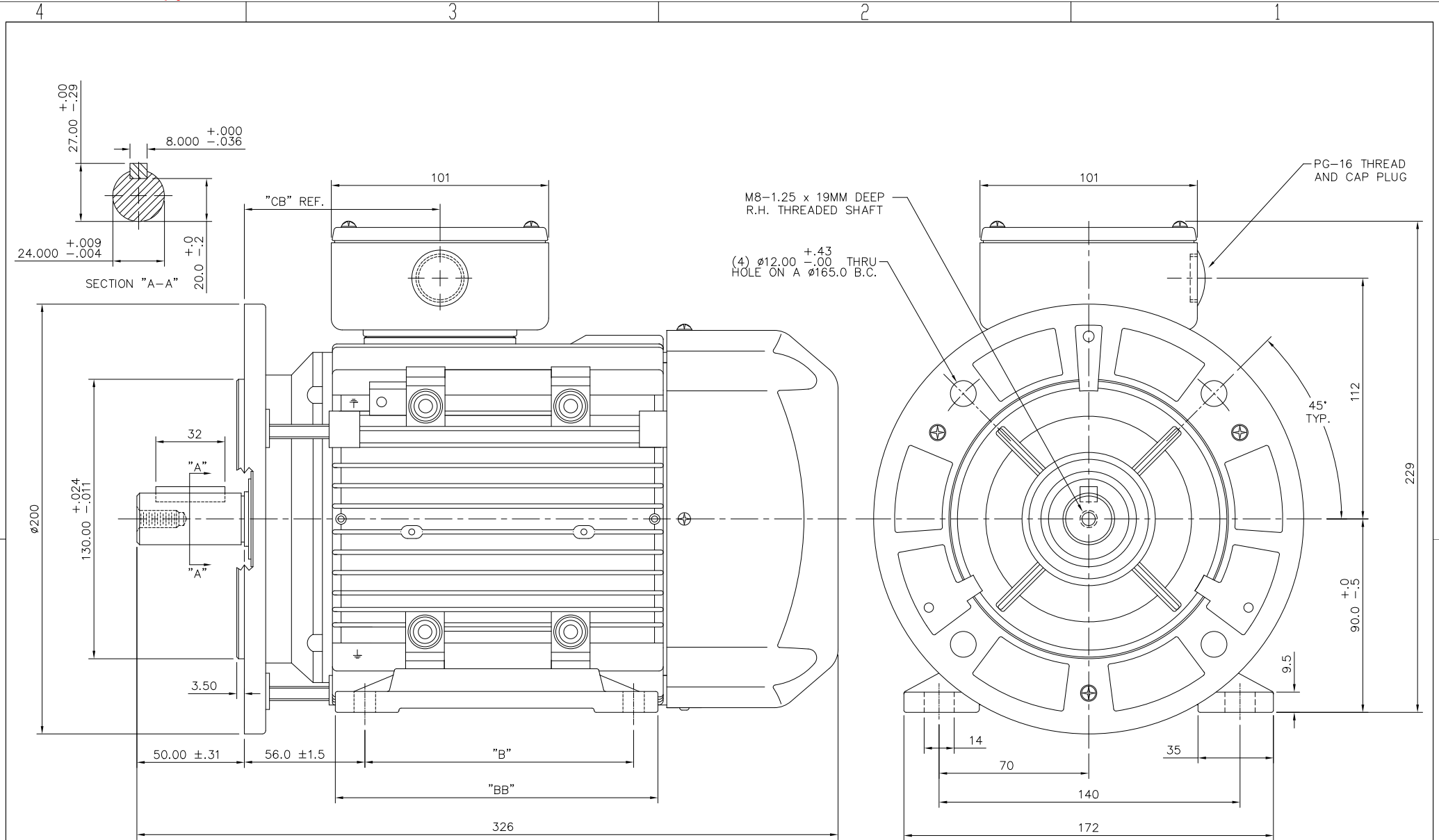


Nameplate Specifications

Phase	3	Output HP	2 & 2 Hp
Output KW	1.5 & 1.5 kW	Voltage	230/460 & 200/400 V
Speed	1745 & 1435 rpm	Service Factor	1.15 & 1.15
Frame	90L	Enclosure	Totally Enclosed Fan Cooled
Thermal Protection	No Protection	Efficiency	87.5 & 85.5 %
Ambient Temperature	40 °C	Frequency	60 & 50 Hz
Current	5.4/2.7 & 6.4/3.2 A	Power Factor	78.4
Duty	Continuous	Insulation Class	F
Design Code	B	KVA Code	J
Drive End Bearing Size	6205	Opp Drive End Bearing Size	6205
UL	Recognized	CSA	Y
CE	Y	IP Code	55
Number of Speeds	1		

Technical Specifications

Electrical Type	Squirrel Cage Inverter Rated	Starting Method	Line Or Inverter
Poles	4	Rotation	Reversible
Resistance Main	0 Ohms	Mounting	Rigid Base
Motor Orientation	Horizontal	Drive End Bearing	Ball
Opp Drive End Bearing	Ball	Frame Material	Aluminum
Shaft Type	IEC	Overall Length	12.83 in
Frame Length	7.08 in	Shaft Diameter	1.000 in
Shaft Extension	1.96 in	Assembly/Box Mounting	F3
Inverter Load	CONSTANT 20:1		
Outline Drawing	16987000ME	Connection Drawing	005465.01ME



FRAME DESIGN	"B"	"BB"	"CB"
90L	125±0.7	150	91
90S	100±0.7	125	79
XXX	XXX	XXX	XXX

DRAWING REVISION C	REVISION BY KVDG	REV DATE/ DATE 07/31/2025
REQUEST NUMBER ECR-0244746	APPROVED BY DS	DATE 07/31/2025

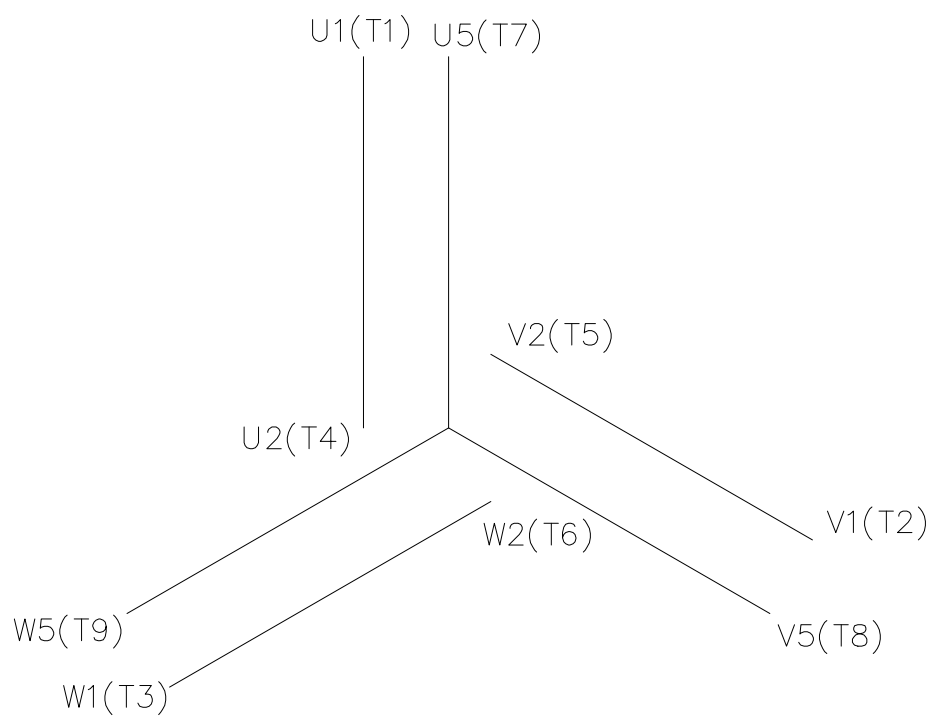
REQUEST NUMBER DESCRIPTION
UPDATED FROM MARATHON TO RRX TEMPLATE

COPYRIGHT (PER REVISION DATE) REGAL BELOIT AMERICA, INC. ALL RIGHTS RESERVED. PROPRIETARY AND CONFIDENTIAL INFORMATION - THIS DOCUMENT IS THE PROPERTY OF REGAL BELOIT AMERICA, INC. (OWNER) AND CONTAINS OWNER'S PROPRIETARY INFORMATION. ANY PERSON, CORPORATION OR OTHER FIRM RECEIVING IT IS DEEMED, BY RECEIVING IT, TO AGREE THAT IT, AND/OR ANY PART OF IT, SHALL NOT BE DISCLOSED TO ANY PERSON, CORPORATION OR OTHER ENTITY, DUPLICATED, AND/OR USED, EXCEPT AS EXPRESSLY APPROVED IN WRITING IN ADVANCE BY OWNER. THIS DOCUMENT SHALL BE RETURNED TO OWNER UPON REQUEST. IT MAY BE SUBJECT TO CERTAIN RESTRICTIONS UNDER APPLICABLE EXPORT CONTROL LAWS AND REGULATIONS.

TOLERANCES (EXCEPT AS NOTED):
 DEC. INCH mm ANGLE
 .X ±0.1 [±3] ±7'30"
 .XX ±0.03 [±0.8]
 .XXX ±0.005 [±0.13]
 .XXXX ±0.0005 [±0.013]
 REMOVE BURRS & BREAK SHARP
 EDGES: .003/.015 [.08/.38] X 45°
 CORNER FILLETS: R.02 [.5]
 MACHINED SURFACES: 125/3.2
 INCH/mm
 mm DIMENSIONS IN [BRACKETS]
 ARE FOR REFERENCE ONLY

DRAWN BY JGO
DATE 01/28/2005
APPROVED BY
DATE
REFERENCE OSVC-300-567
THIRD ANGLE PROJECTION

Regal Beloit America, Inc.	
DESCRIPTION METRIC OUTLINE, IMB35 IEC-90 FRAME RIGID W/B5 FLANGE	
MAT'L ALUMINIUM	PROCESS/FINISH MARATHON STOCK
SIZE A	DRAWING NUMBER 169870-00ME
SHEET 1 OF 1	



REF. DECAL (IEC) 080644
REF. DECAL (NEMA) 080446

IEC MARKINGS						
LOW VOLTAGE			HIGH VOLTAGE			
LINE VOLTAGE	L1	L2	L3	JOIN		
TERMINAL	U1	V1	W1	W2	U2	V2
LOW	U1,U5	V1,V5	W1,W5	---	U2,V2,W2	---
HIGH	U1	V1	W1	U2,U5	V2,V5	W2,W5
NEMA MARKINGS						
LOW VOLTAGE			HIGH VOLTAGE			
LINE VOLTAGE	L1	L2	L3	JOIN		
TERMINAL	U1	V1	W1	W2	U2	V2
LOW	T1, T7	T2, T8	T3, T9	---	T4,T5,T6	---
HIGH	T1	T2	T3	T4, T7	T5, T8	T6, T9

DRAWING REVISION D	REVISION BY KVDG	REV DATE/ DATE 07/31/2025	TOLERANCES (EXCEPT AS NOTED): DEC. INCH mm ANGLE .X ±0.1 [±3] ±0.5° .XX ±0.01 [±0.3] .XXX ±0.005 [±0.13] .XXXX ±0.0005 [±0.013] REMOVE BURRS & BREAK SHARP EDGES: .003/.015 [.08/.38] X 45° CORNER FILLETS: R.02 [.5] MACHINED SURFACES: 125/3.2 INCH mm	DRAWN BY JGO	Regal Beloit America, Inc.
REQUEST NUMBER ECR-0244746	APPROVED BY DS	DATE 07/31/2025		DATE 03/10/2004	
REQUEST NUMBER DESCRIPTION UPDATED FROM MARATHON TO RRX TEMPLATE			APPROVED BY MJS	DESCRIPTION EXTERNAL WIRING DIAGRAM 3 PHASE - DUAL VOLTAGE - W/TERM BLOCK	
COPYRIGHT (PER REVISION DATE) REGAL BELOIT AMERICA, INC. ALL RIGHTS RESERVED. PROPRIETARY AND CONFIDENTIAL INFORMATION - THIS DOCUMENT IS THE PROPERTY OF REGAL BELOIT AMERICA, INC. (OWNER) AND CONTAINS OWNER'S PROPRIETARY INFORMATION. ANY PERSON, CORPORATION OR OTHER FIRM RECEIVING IT IS DEEMED, BY RECEIVING IT, TO AGREE THAT IT, AND/OR ANY PART OF IT, SHALL NOT BE DISCLOSED TO ANY PERSON, CORPORATION OR OTHER ENTITY, DUPLICATED, AND/OR USED, EXCEPT AS EXPRESSLY APPROVED IN WRITING IN ADVANCE BY OWNER. THIS DOCUMENT SHALL BE RETURNED TO OWNER UPON REQUEST. IT MAY BE SUBJECT TO CERTAIN RESTRICTIONS UNDER APPLICABLE EXPORT CONTROL LAWS AND REGULATIONS.			DATE 02/17/2010	MAT'L IEC/NEMA MARKINGS	PROCESS/FINISH
			REFERENCE	SIZE A	DRAWING NUMBER 005465ME-01



REGAL REXNORD CORPORATION
TYPICAL PERFORMANCE CURVE for AC MOTOR

Customer

Curve at

460
60
2

Volts
HZ
HP

HP 2&2

PHASE 3

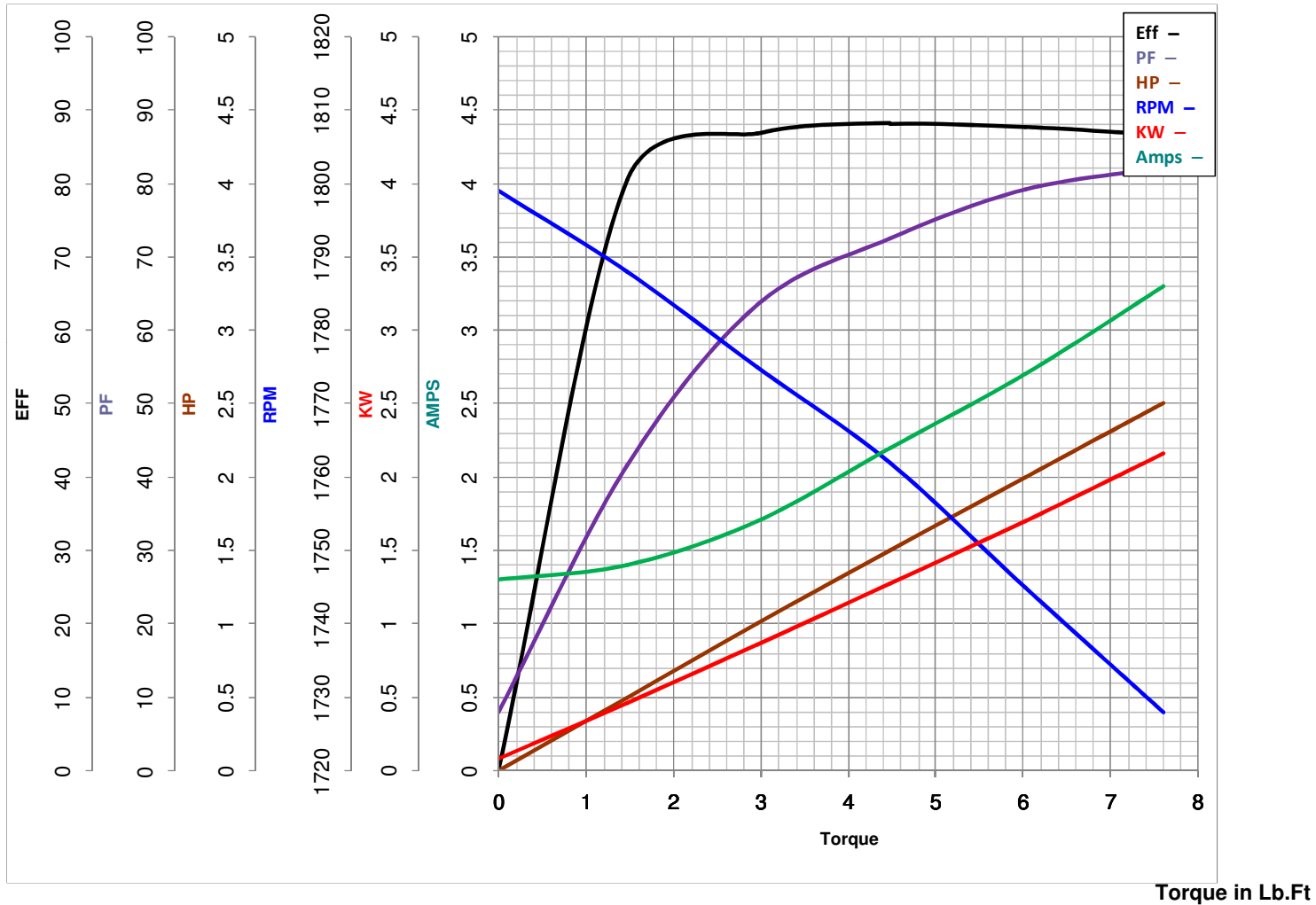
Model No 90LT17FH6519

VOLTS 230/460&200/400

Catalog No R398A

HZ 60&50

RPM 1745&1435



FL TORQUE	<u>6.018</u> Lb.Ft	FL AMPS	<u>5.4/2.7</u>
BD TORQUE	<u>18.1</u> Lb.Ft	PU TORQUE	<u>11.3</u> Lb.Ft
LR TORQUE	<u>14.39</u> Lb.Ft	LR AMPS	<u>18.7</u>
WINDING	QT9047-	Date	

REV 1 - CHANGED LOGO FROM MARATHON TO LEESON - 3/25/2025

EC Declaration of Conformity

The undersigned representing
the manufacturer:

Regal Beloit America
1946 West Cook Road
Fort Wayne, IN 46818

and the authorized representative
established within the Community:

Regal Beloit Italy
Via Modena, 18
24040 Ciserano(BG) - Italy

are committed to providing customers with products that comply with applicable regulations and international protocols to which they are subject, including the requirements of the European Parliament Directive on the Harmonization of the laws relating to electrical equipment designed for use within certain voltage limits (2014/35/EU).

Regal Beloit America declares that the following product(s), to which this declaration relates, are in conformity with the relevant sections of the EC standards listed below.

This statement supersedes any statements previously issued pertaining to the product(s) listed below and is subject to change without notice.

Model No : 090LT17FH6519

(Model No. may contain prefix and/or suffix characters)

Catalog No : R398A

Rework No : N/A

Directives :

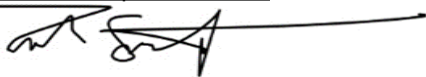
Low Voltage Directive 2014/35/EU

Harmonized Standards Used :

EN 60034-1: 2010 (IEC 60034-1: 2010)

EN 60034-5: 2001/A1:2007 (IEC 60034-5: 2000/A1:2006)

Authorized Representative:



Zach Stauffer
Vice President, Engineering

Authorized Representative in the Community:



Stefano Casiraghi
Technology Director, Engineering

Created on 07/08/2025

CE 25