

# PRODUCT INFORMATION PACKET



Model No: 102864.00

Catalog No: 102864.00

General Purpose Motor, 0.50 HP, 1 Ph, 60 Hz, 115/230 V, 3600 RPM, S56C Frame, TEFC

Operational at 115/208-230 V @60HZ



Regal and Leeson are trademarks of Regal Rexnord Corporation or one of its affiliated companies.

©2023 Regal Rexnord Corporation, All Rights Reserved. MC017097E



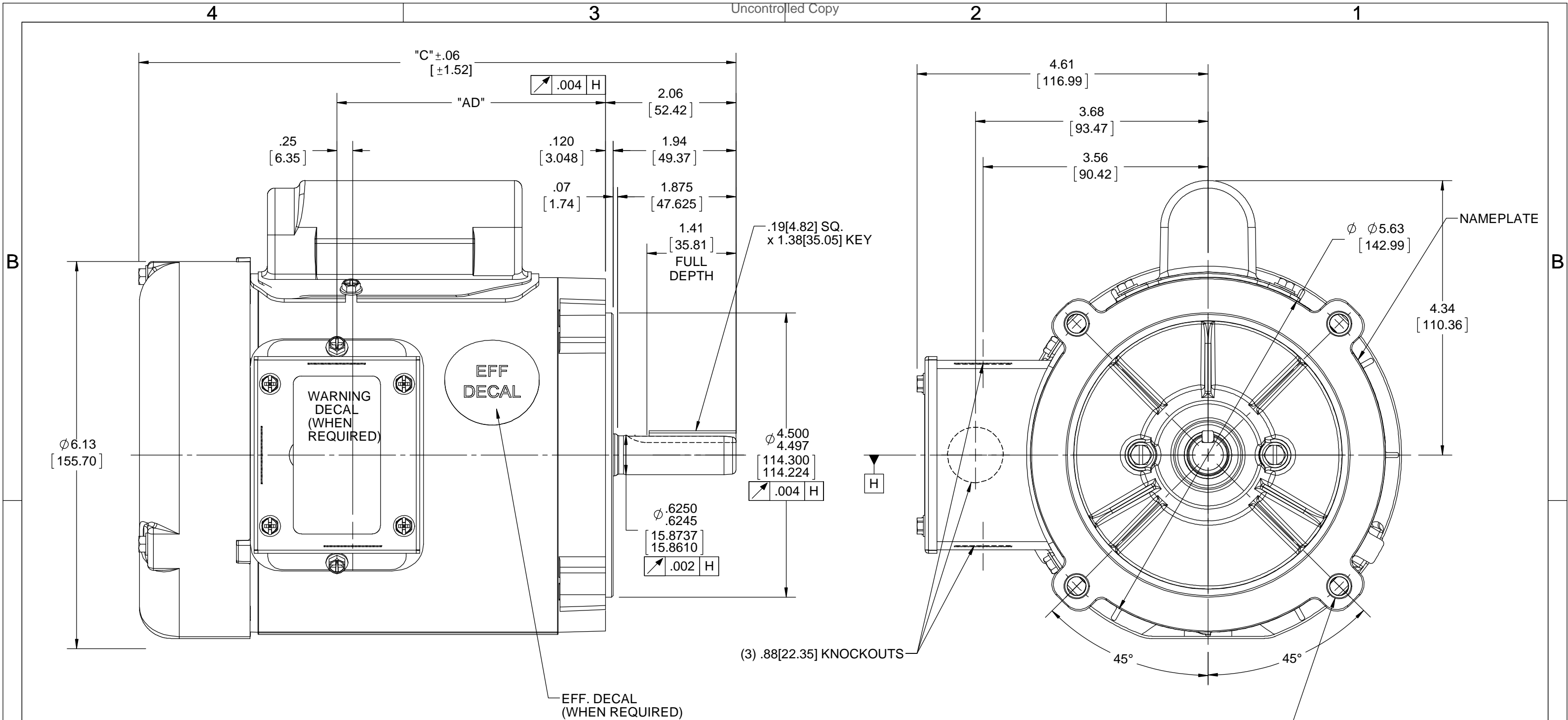


### Nameplate Specifications

Phase	1	Output HP	0.50 Hp
Output KW	0.37 kW	Voltage	115/230 V
Speed	3450 rpm	Service Factor	1.15
Frame	S56C	Enclosure	Totally Enclosed Fan Cooled
Thermal Protection	No Protection	Efficiency	66 %
Ambient Temperature	40 °C	Frequency	60 Hz
Current	7.0/3.5 A	Power Factor	68
Duty	Continuous	Insulation Class	B
Design Code	N	KVA Code	L
Drive End Bearing Size	6203	Opp Drive End Bearing Size	6203
UL	Recognized	CSA	Y
CE	N	IP Code	43
Number of Speeds	1		

### Technical Specifications

Electrical Type	Capacitor Start Induction Run	Starting Method	Across The Line
Poles	2	Rotation	Selective Counterclockwise
Resistance Main	4.08 Ohms	Mounting	Round
Motor Orientation	Horizontal	Drive End Bearing	Ball
Opp Drive End Bearing	Ball	Frame Material	Rolled Steel
Shaft Type	NEMA 56	Overall Length	9.94 in
Frame Length	5.25 in	Shaft Diameter	0.625 in
Shaft Extension	1.88 in	Assembly/Box Mounting	F1 ONLY
Outline Drawing	031649-525	Connection Drawing	005005.44



DASH NO.	"C"	"AD"
475	9.45[240.03]	4.25[107.95]
500	9.70[246.38]	4.50[114.3]
525	9.95[252.73]	4.75[120.65]
550	10.20[259.08]	5.00[127.00]
575	10.45[265.43]	5.25[133.35]
600	10.70[271.78]	5.50[139.7]
625	10.95[278.13]	5.75[146.05]
650	11.20[284.48]	6.00[152.4]
675	11.45[290.83]	6.25[158.75]
700	11.70[297.18]	6.50[165.1]
725	11.95[303.53]	6.75[171.45]
750	12.20[309.88]	7.00[177.8]

DRAWING REVISION	REVISION BY	DATE
L	H. ADIKE	10/17/2018
ECO-0156721	APPROVED BY JD	DATE 11/16/2018

**ECO DESCRIPTION**  
**OUTLINE CONVERSION PROJECT**  
 COPYRIGHT REGAL BELOIT AMERICA, INC. ALL RIGHTS RESERVED. PROPRIETARY AND CONFIDENTIAL INFORMATION - THIS DOCUMENT IS THE PROPERTY OF REGAL BELOIT AMERICA, INC. ("OWNER") AND CONTAINS OWNER'S PROPRIETARY INFORMATION. ANY PERSON, CORPORATION OR OTHER FIRM RECEIVING IT IS DEEMED, BY RECEIVING IT, TO AGREE THAT IT, AND/OR ANY PART OF IT, SHALL NOT BE DISCLOSED TO ANY PERSON, CORPORATION OR OTHER ENTITY, DUPLICATED, AND/OR USED, EXCEPT AS EXPRESSLY APPROVED IN WRITING IN ADVANCE BY OWNER. THIS DOCUMENT SHALL BE RETURNED TO OWNER UPON REQUEST. IT MAY BE SUBJECT TO CERTAIN RESTRICTIONS UNDER APPLICABLE EXPORT CONTROL LAWS AND REGULATIONS.

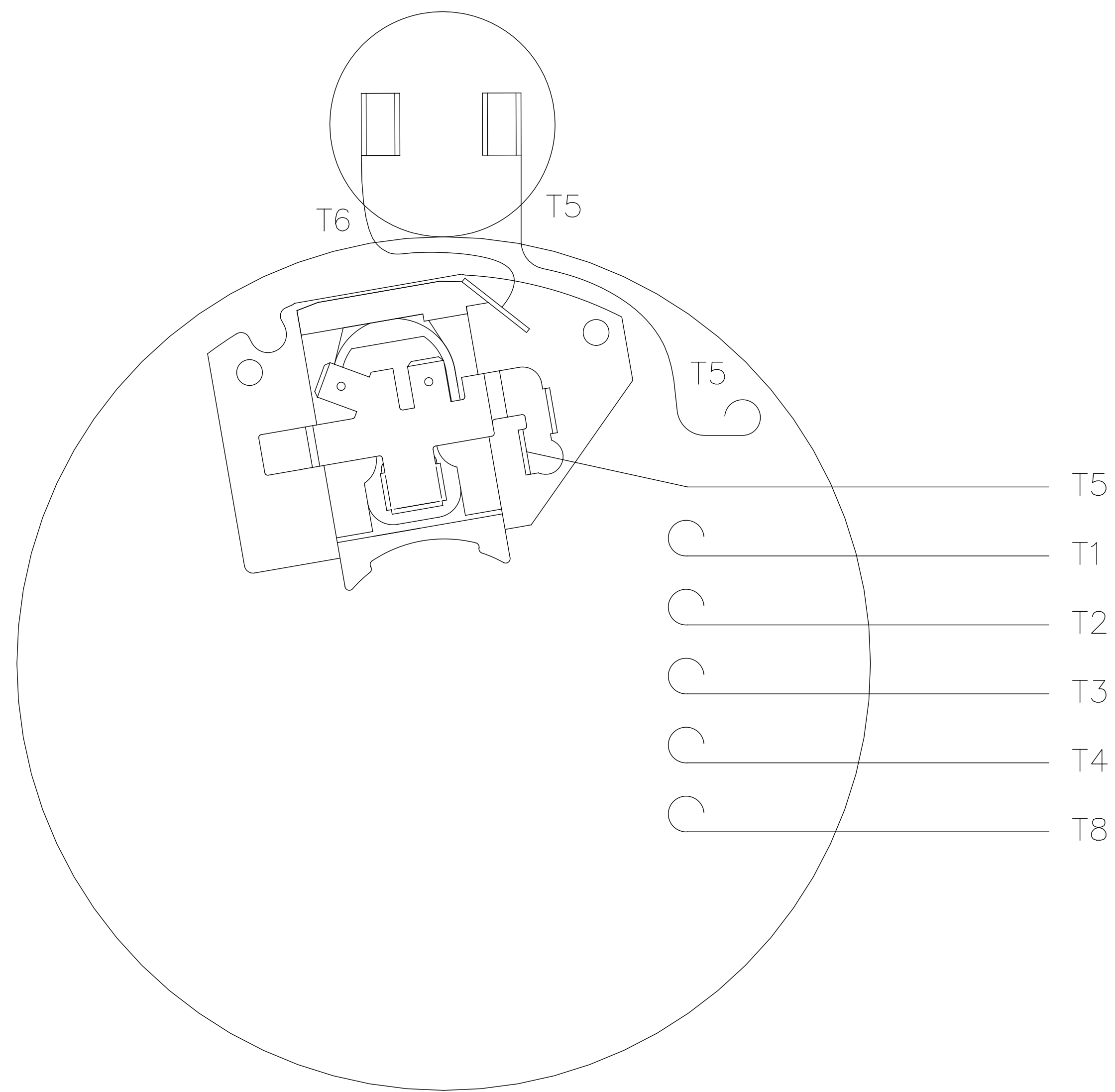
**TOLERANCES UNLESS OTHERWISE SPECIFIED:**

DEC.	INCH	mm	ANGLE
.X	±0.1	[±2.5]	±0.5°
.XX	±0.03	[±0.76]	
.XXX	±0.005	[±0.127]	
.XXXX	±0.0005	[±0.0127]	

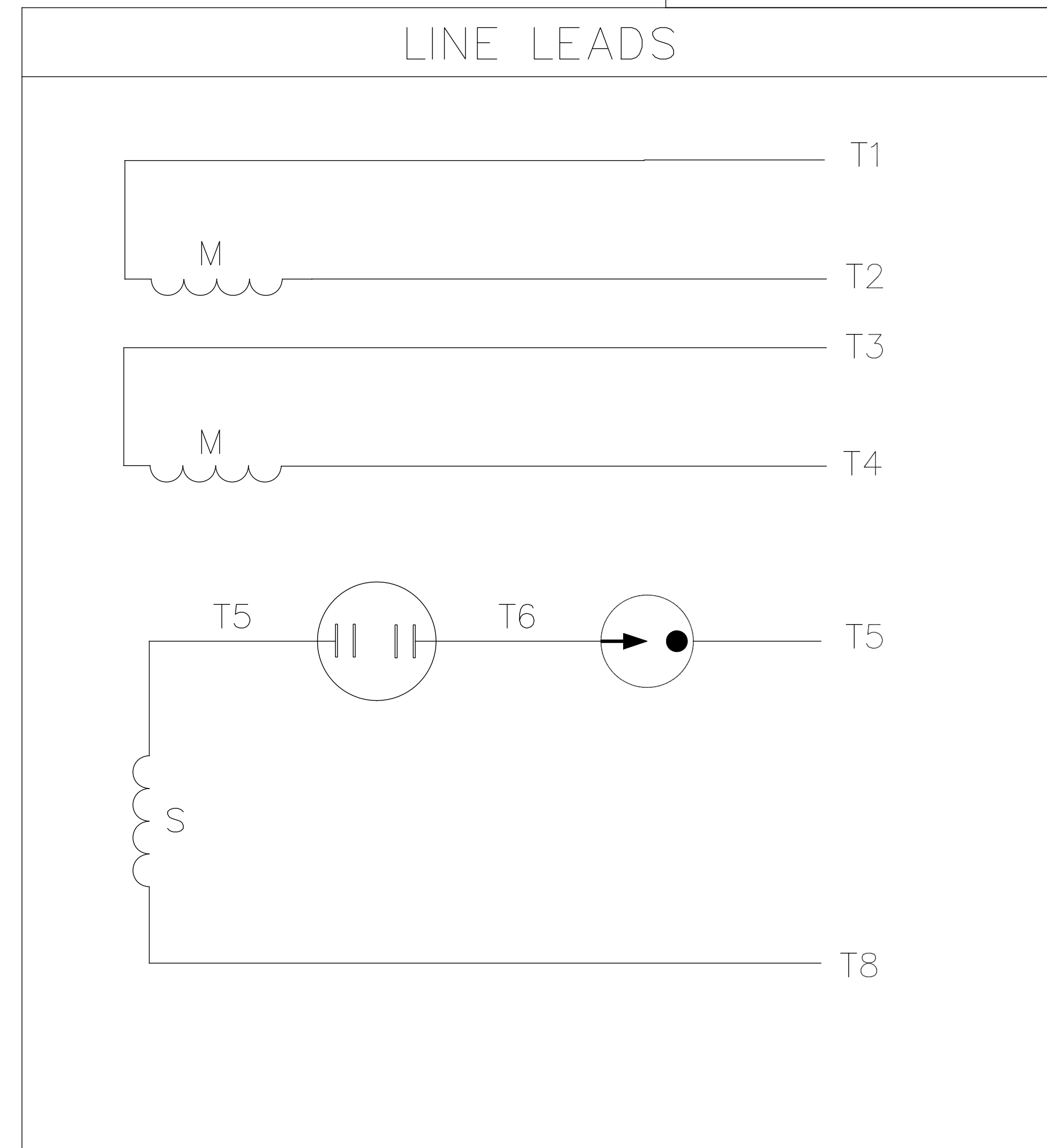
REMOVE BURRS & BREAK SHARP EDGES: .003/.015 [.076/.381] X 45°  
 CORNER FILLETS: R.02 [.51]  
 MACHINED SURFACES: 125 INCH 3.2 mm  
 mm SHOWN IN [BRACKETS]

DRAWN BY PG		DATE 09/24/01		APPROVED BY		DATE		REFERENCE 030521		THIRD ANGLE PROJECTION	
GASKETS THROUGHOUT		ORACLE REV 004		REGAL™ Regal Beloit America, Inc.		DESCRIPTION		OUTLINE		S56C FRAME "C" FACE MOUNT - TEFC	
MATERIAL		PROCESS/FINISH		SIZE B		DRAWING NUMBER 031649		SHEET 1 OF 1			


005005-44



VIEW FROM OUTSIDE OF MOTOR AT SWITCH END



	ROTATION FACING LEAD END	L1	L2	JOIN
HIGH VOLT	C.C.W.	T1	T4,T5	T2,T3 T8
	C.W.	T1	T4,T8	T2,T3 T5
LOW VOLT	C.C.W.	T1 T3,T8	T2,T4 T5	
	C.W.	T1 T3,T5	T2,T4 T8	

				TOLERANCES UNLESS OTHERWISE SPECIFIED			 <b>Regal Beloit America, Inc.</b>				
				DEC.	INCHES	METRIC					
				.X	±.1	±.25	DRAWN	PG 5/7/01	TITLE		EXTERNAL WIRING DIAGRAM TYPE "C" W/O PROTECTOR
				.XX	±.01	±.25	APPR.		MAT'L.		DUAL VOLTAGE – DUAL ROTATION
01	MOVED T5 TO "INSIDE" SWITCH TERMINAL	PG 8/2/01		.XXX	±.005	±.127	R.F.P.				
NO.	REVISION	BY & DATE	CH'K'D.	.XXXX	±.0005	±.0127	SCALE	5=8			
THIS DRAWING IN DESIGN AND DETAIL IS OUR PROPERTY AND MUST NOT BE USED EXCEPT IN CONNECTION WITH OUR WORK ALL RIGHTS OF DESIGN AND INVENTION ARE RESERVED THIS IS AN ELECTRONICALLY GENERATED DOCUMENT – DO NOT SCALE THIS PRINT				FRACTIONS	±1/64		REF.	005005-01	FINISH	REV.	DRAWING NO.
				ANGLES	±1/2°		FMF	100006		01	005005-44



**1051 CHEYENNE AVE.  
GRAFTON, WI 53024  
PH. 262-377-8810**

**CERTIFICATION DATA SHEET**

CATALOG #: 102864.00

CONN. DIAGRAM: 005005.44

OUTLINE: 031649-525

MOUNTING: F1 ONLY

WINDING #: CE482235 FR 3 B

**TYPICAL MOTOR PERFORMANCE DATA**

HP	kW	SYNC. RPM	F.L. RPM	FRAME	ENCLOSURE	KVA CODE	DESIGN
1/2	0.37	3600	3450	S56C	TEFC	L	N

PH	Hz	VOLTS	AMPS	START TYPE	DUTY	INSL	S.F.	AMB°C
1	60	115/208-230	7/3.4-3.5	ACROSS THE LINE	CONTINUOUS	B3	1.15	40

FULL LOAD EFF:	66	3/4 LOAD EFF:	64.4	1/2 LOAD EFF:	57	GTD. EFF	ELEC. TYPE
FULL LOAD PF:	68	3/4 LOAD PF:	59.4	1/2 LOAD PF:	48.7	62	CAP START IND RUN

F.L. TORQUE	LOCKED ROTOR AMPS	L.R. TORQUE	B.D. TORQUE	F.L. RISE°C
12 OZ-FT	41 / 20.5	34.6 OZ-FT 288 %	35.2 OZ-FT 293 %	80

SOUND PRESSURE @ 3 FT.	SOUND POWER	ROTOR WK^2	MAX. WK^2	SAFE STALL TIME	STARTS / HOUR	APPROX. MOTOR WGT
0 dBA	10 dBA	0.018 LB-FT^2	0 LB-FT^2	0 SEC.	0	20 LBS.

**\*\*\* SUPPLEMENTAL INFORMATION \*\*\***

DE BRACKET TYPE	ODE BRACKET TYPE	MOUNT TYPE	ORIENTATION	SEVERE DUTY	HAZARDOUS LOCATION	DRIP COVER	SCREENS	PAINT
C-FACE	STANDARD	ROUND	HORIZONTAL	FALSE	NONE	FALSE	NONE	BLUE - LEESON (ENAMEL)

BEARINGS		GREASE	SHAFT TYPE	SPECIAL DE	SPECIAL ODE	SHAFT MATERIAL	FRAME MATERIAL
DE	ODE						
BALL	BALL	MULTEMP SRL	T	NONE	NONE	1144 STRESSPROOF (C-223)	ROLLED STEEL
6203	6203						

THERMO-PROTECTORS				THERMISTORS	CONTROL	SPACE HEATERS
THERMOSTATS	PROTECTORS	WDG RTDs	BRG RTDs			
NONE	NOT	NONE	NONE	NONE	FALSE	NONE VOLTS

\*  
N  
O  
T  
E  
S

<b>INVERTER TORQUE:</b> NONE
<b>INV. HP SPEED RANGE:</b> NONE
<b>ENCODER:</b> NONE
NONE NONE
NONE NONE PPR
<b>BRAKE:</b> NONE NONE
NONE P/N NONE
NONE NONE
NONE FT-LB NONE V NONE Hz

