

PRODUCT INFORMATION PACKET



Model No: 110492.00
Catalog No: 110492.00
Agricultural Motor, 0.50 HP, 1 Ph, 60 Hz, 115/230 V, 1800 RPM, 56C Frame, TEFC

Operational at 115/208-230 V @60HZ



Regal and Leeson are trademarks of Regal Rexnord Corporation or one of its affiliated companies.
©2023 Regal Rexnord Corporation, All Rights Reserved. MC017097E



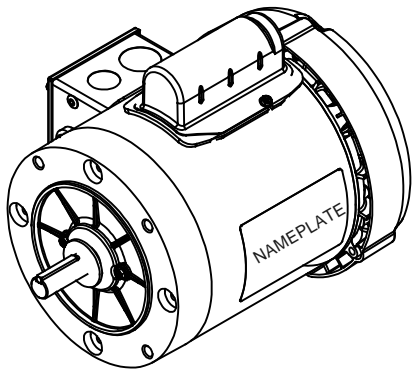
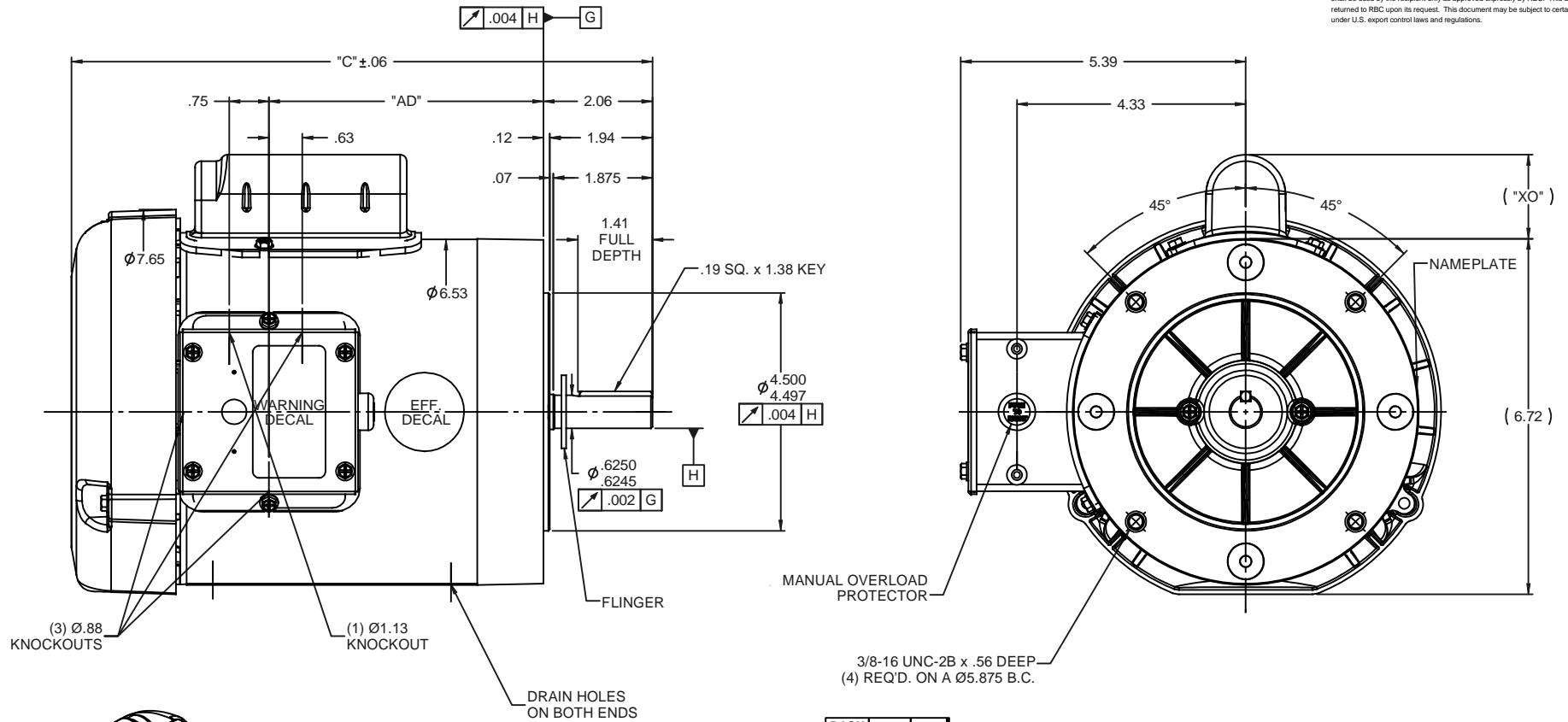


Nameplate Specifications

Phase	1	Output HP	0.50 Hp
Output KW	0.37 kW	Voltage	115/230 V
Speed	1725 rpm	Service Factor	1.15
Frame	56C	Enclosure	Totally Enclosed Fan Cooled
Thermal Protection	Manual	Efficiency	66 %
Ambient Temperature	40 °C	Frequency	60 Hz
Current	8.8/4.4 A	Power Factor	58
Duty	Continuous	Insulation Class	B
Design Code	N	KVA Code	L
Drive End Bearing Size	6203	Opp Drive End Bearing Size	6203
UL	Recognized	CSA	Y
CE	N	IP Code	43
Number of Speeds	1		

Technical Specifications

Electrical Type	Capacitor Start Induction Run	Starting Method	Across The Line
Poles	4	Rotation	Selective Counterclockwise
Resistance Main	3.4 Ohms	Mounting	Round
Motor Orientation	Horizontal	Drive End Bearing	Ball
Opp Drive End Bearing	Ball	Frame Material	Rolled Steel
Shaft Type	NEMA 56	Overall Length	10.98 in
Frame Length	5.50 in	Shaft Diameter	0.625 in
Shaft Extension	1.88 in	Assembly/Box Mounting	F1 ONLY
Outline Drawing	028865-550A	Connection Drawing	005003.03



DASH NO.	"C"	"AD"	CAP DASH.	"XO"
550	10.98	5.19		
600	11.48	5.59		
650	11.98	6.19		
700	12.48	6.69	A	1.61
750	12.98	7.19	B	2.08
800	13.48	7.69	C	2.32
850	13.98	8.19		

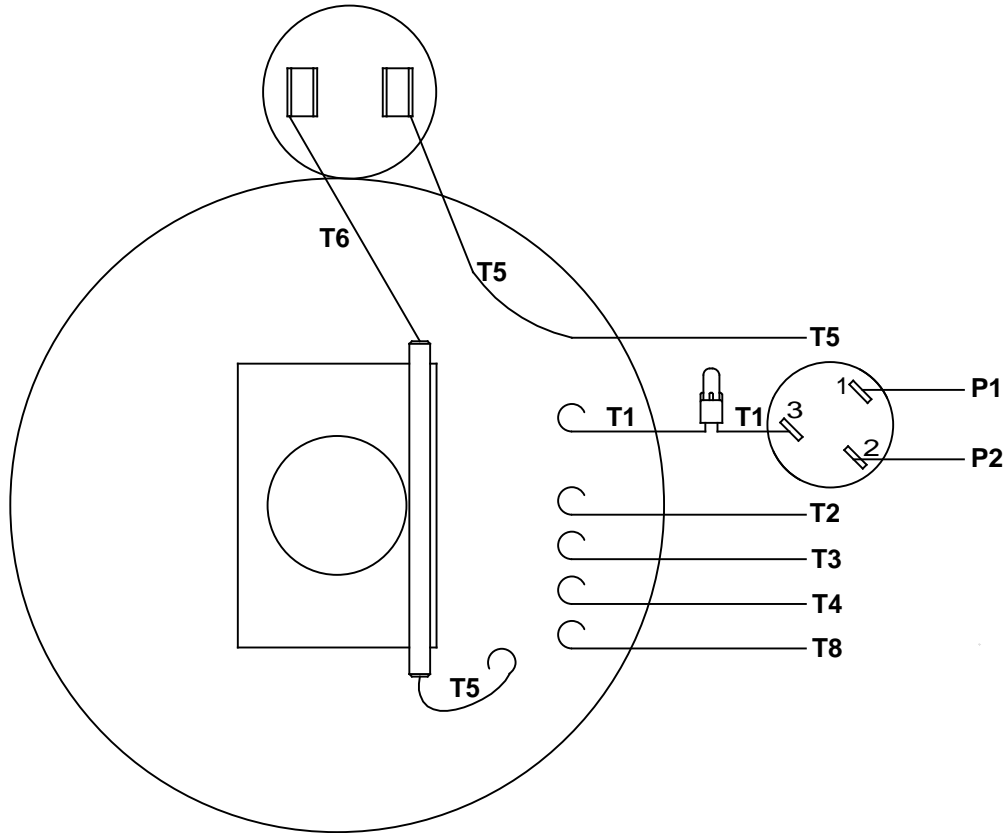
NOTES:
 1) GASKETS THROUGHOUT

REVISION		BY & DATE	CHK	ANG	FINISH	SIZE	DRAWING NO	REV
01	ADDED "XO" TABLE	GRB 12/10/2008 DJ	xxx	±.005	MATL	B	028865	01
THIRD ANGLE PROJECTION								

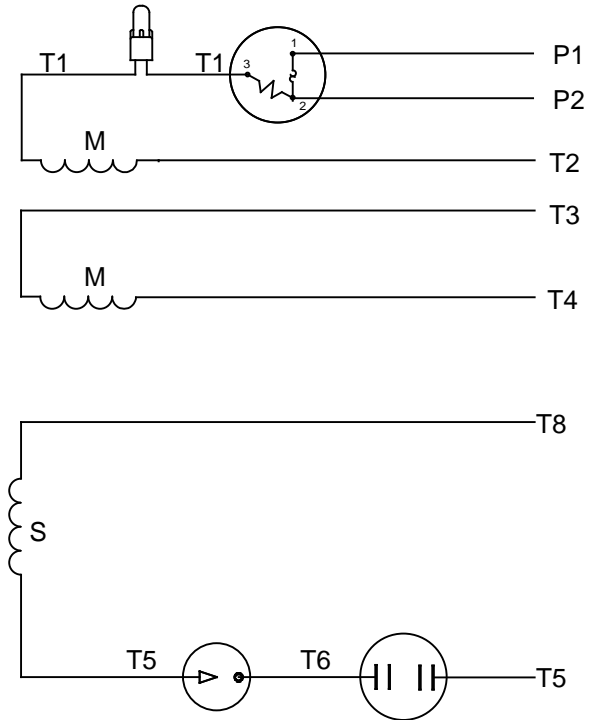
LEESON ELECTRIC MOTORS GEARMOTORS AND DRIVES
 DRAWN GRB 08/18/2008
 CHK DJ 08/18/2008
 APPR

TOLERANCES UNLESS SPECIFIED:
 DEC INCHES
 x ±.1
 .xx ±.03
 .xxx ±.005
 .xxxx ±.0005
 TITLE OUTLINE - 56C FRAME
 TEFC - "C" FACE FARM DUTY
 REF 033641
 FMF 110492.00
 SCALE 1:2

VIEW FROM OUTSIDE OF MOTOR AT SWITCH END



LINE LEADS



RBC PROPRIETARY AND CONFIDENTIAL INFORMATION
 This document is the property of REGAL BELOIT CORPORATION ("RBC") including its subsidiaries and divisions and contains proprietary information of RBC. This document is loaned on the express condition that neither it nor the information contained therein shall be disclosed to others without the express written consent of RBC, and that the information shall be used by the recipient only as approved expressly by RBC. This document shall be returned to RBC upon its request. This document may be subject to certain restrictions under U.S. export control laws and regulations.

	ROTATION FACING LEAD END	L1	L2	JOIN	INSULATE SEPARATELY
HIGH VOLT	C.C.W.	P1	T4 T5	T2,T3 T8	P2
	C.W.	P1	T4 T8	T2,T3 T5	P2
LOW VOLT	C.C.W.	P1	T2,T4 T5	P2,T3 T8	---
	C.W.	P1	T2,T4 T8	P2,T3 T5	---

		TOLERANCES UNLESS SPECIFIED		LEESON	ELECTRIC MOTORS GEARMOTORS AND DRIVES	DRAWN WLV 08/20/79
		DEC	INCHES			
		.X	±.1			APPR WRK 08/27/76
		.XX	±.01	TITLE	EXTERNAL WIRING DIAGRAM	SCALE 1:1
06	REDRAWN IN SOLIDWORKS	VJB	7/22/2011	.XXX	±.005	REF
05	REDRAWN ON CAD	DBT	05/27/97	.XXXX	±.0005	FMF
NO	REVISION	BY & DATE	CHK	ANG	±1/2°	PAGE OF
THIRD ANGLE PROJECTION		RFP	PREV	SIZE	DRAWING NO	REV
		NETWORK FILE NAME 00500303		A	005003-03	06

