

# PRODUCT INFORMATION PACKET



Model No: 113590.00

Catalog No: 113590.00

White Duck™ General Purpose Motor, 1 HP, 3 Ph, 60 Hz, 230/460 V, 3600 RPM, 56C Frame, TENV



Regal and LEESON are trademarks of Regal Rexnord Corporation or one of its affiliated companies.  
©2026 Regal Rexnord Corporation, All Rights Reserved. MC017097E



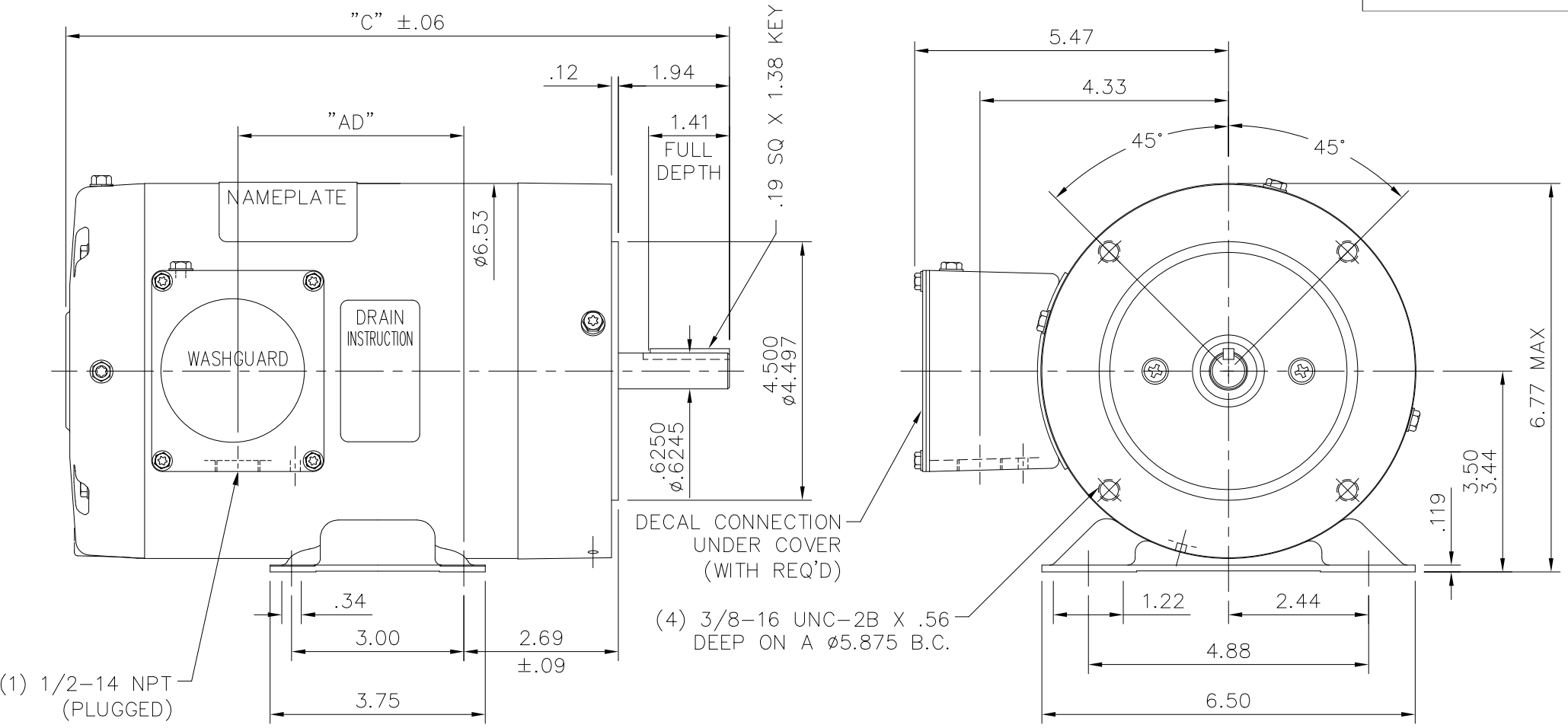


### Nameplate Specifications

Phase	<b>3</b>	Output HP	<b>1 Hp</b>
Output KW	<b>0.75 kW</b>	Voltage	<b>230/460 V</b>
Speed	<b>3450 rpm</b>	Service Factor	<b>1.15</b>
Frame	<b>56C</b>	Enclosure	<b>Totally Enclosed Non Ventilated</b>
Thermal Protection	<b>No Protection</b>	Efficiency	<b>77 %</b>
Ambient Temperature	<b>40 °C</b>	Frequency	<b>60 Hz</b>
Current	<b>2.8-2.6/1.3 A</b>	Power Factor	<b>84.8</b>
Duty	<b>Continuous</b>	Insulation Class	<b>F</b>
Design Code	<b>B</b>	KVA Code	<b>L</b>
Drive End Bearing Size	<b>6205</b>	Opp Drive End Bearing Size	<b>6203</b>
UL	<b>Recognized</b>	CSA	<b>Y</b>
CE	<b>Y</b>	IP Code	<b>55</b>
Number of Speeds	<b>1</b>		

### Technical Specifications

Electrical Type	<b>Squirrel Cage Induction Run</b>	Starting Method	<b>Across The Line</b>
Poles	<b>2</b>	Rotation	<b>Reversible</b>
Resistance Main	<b>0 Ohms</b>	Mounting	<b>Rigid Base</b>
Motor Orientation	<b>Horizontal</b>	Drive End Bearing	<b>Ball</b>
Opp Drive End Bearing	<b>Ball</b>	Frame Material	<b>Rolled Steel</b>
Shaft Type	<b>NEMA 56</b>	Overall Length	<b>11.58 in</b>
Frame Length	<b>6.50 in</b>	Shaft Diameter	<b>0.625 in</b>
Shaft Extension	<b>1.88 in</b>	Assembly/Box Mounting	<b>F1 ONLY</b>
Outline Drawing	<b>034907-700</b>	Connection Drawing	<b>005010.01</b>



SPECIAL FEATURES:

- 1) SHAFT SEALS & V-RING
- 2) DRAIN HOLES IN BOTH ENDBELLS & CONDUIT BOX
- 3) GASKETS THROUGHOUT
- 4) STAINLESS STEEL SHAFT, HARDWARE & NAMEPLATE

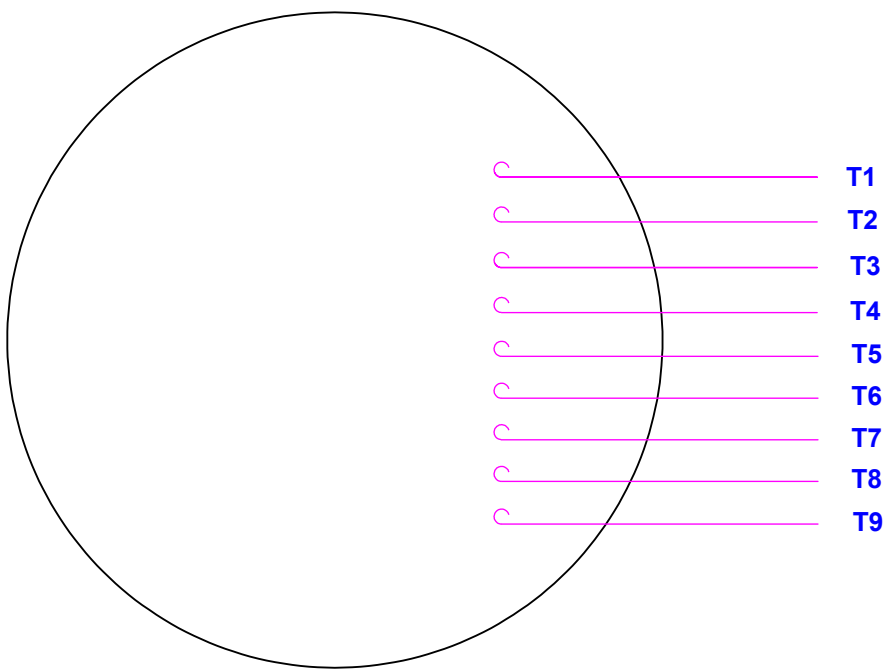
DASH NO.	"C"	"AD"
550	10.08	2.44
600	10.58	2.94
650	11.08	3.44
700	11.58	3.94

MAXIMUM FACE RUNOUT .004 T.I.R.  
 MAXIMUM PILOT ECCENTRICITY .004 T.I.R.  
 PERMISSIBLE SHAFT RUNOUT .002 T.I.R.

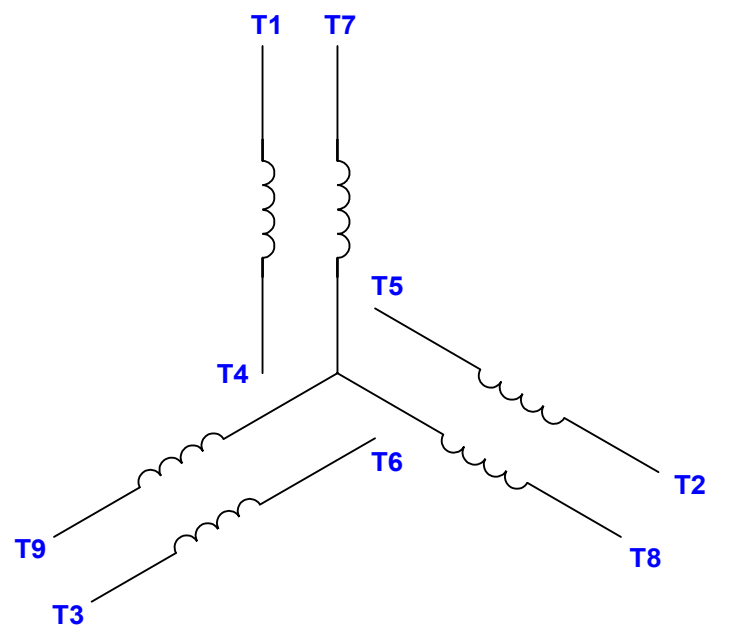
			TOLERANCES UNLESS SPECIFIED		REGAL BELOIT	REGAL-BELOIT CORPORATION	DRAWN
			DEC.	INCHES			RDW
04	UPDATED DASH NO AS PER ECR	GKB 03/16/26	BAN	.X	±.1		1/29/05
03	SHAFT END E.B. WAS 021255-19 PER ECO 04-1702	LST 9/17/04		.XX	±.03	TITLE	CHK
02	REVISED OUTLINE TO CURRENT STNDS	RDW 2/11/03	SW	.XXX	±.005	OUTLINE - 56 FRAME	APPD KMM 12/12/01
01	L.E. ENDBELL WAS 021209.27	KMM 8/19/02		.XXXX	±.0005	TENV - RIGID "C"	SCALE 3=8
NO.	REVISION	BY & DATE	CHK	ANG	±1/2"	MAT'L.	REF 033694
			RFP		1/29/05	FINISH	FMF
			DIST			CAD FILE	PREV
						034907	
						SIZE	DRAWING NO.
						A	034907
							REV.
							04

THIS DRAWING IN DESIGN AND DETAIL IS OUR PROPERTY AND MUST NOT BE USED EXCEPT IN CONNECTION WITH OUR WORK ALL RIGHTS OF DESIGN AND INVENTION ARE RESERVED THIS IS AN ELECTRONICALLY GENERATED DOCUMENT - DO NOT SCALE THIS PRINT

VIEW FROM OUTSIDE OF MOTOR AT SWITCH END.



LINE LEADS



RBC PROPRIETARY AND CONFIDENTIAL INFORMATION  
 This document is the property of REGAL BELOIT CORPORATION ("RBC") including its subsidiaries and divisions and contains proprietary information of RBC. This document is loaned on the express condition that neither it nor the information contained therein shall be disclosed to others without the express written consent of RBC, and that the information shall be used by the recipient only as approved expressly by RBC. This document shall be returned to RBC upon its request. This document may be subject to certain restrictions under U.S. export control laws and regulations.

VOLTAGE	L1	L2	L3	JOIN & INSULATE
HIGH	T1	T2	T3	(T4, T7) (T5, T8) (T6, T9)
LOW	T1, T7	T2, T8	T3, T9	T4, T5, T6

				TOLERANCES UNLESS SPECIFIED		DRAWN RDW 04/12/02	
				DEC	INCHES	CHK	
				.X	±.1	APPR	
12	CHG FROM LEESON TO RRX TEMPLATE AS PER ECR-0237142	KVDG 09/19/24	DS	.XX	±.01	TITLE EXTERNAL WIRING DIAGRAM	
--	REDRAWN IN SOLIDWORKS	VJB 02/08/11		.XXX	±.005	3 PHASE W/O PROTECTOR	
11	ADD REV TO MATCH ORACLE	KJH 06/08/09	MDN	.XXX	±.0005	MAT'L DECAL - 004014	
NO	REVISION	BY & DATE	CHK	ANG	±1/2°	FINISH	
			RFP	04/12/02	PREV	SIZE	DRAWING NO
THIRD ANGLE PROJECTION			NETWORK FILE NAME		00501001	A	005010-01
							REV
							12



## EC Declaration of Conformity

The undersigned representing  
the manufacturer:

Regal Beloit America  
1946 West Cook Road  
Fort Wayne, IN 46818

and the authorized representative  
established within the Community:

Regal Beloit Italy  
Via Modena, 18  
24040 Ciserano(BG) - Italy

are committed to providing customers with products that comply with applicable regulations and international protocols to which they are subject, including the requirements of the European Parliament Directive on the Harmonization of the laws relating to electrical equipment designed for use within certain voltage limits (2014/35/EU).

Regal Beloit America declares that the following product(s), to which this declaration relates, are in conformity with the relevant sections of the EC standards listed below.

This statement supersedes any statements previously issued pertaining to the product(s) listed below and is subject to change without notice.

Model No : 113590.00

(Model No. may contain prefix and/or suffix characters)

Catalog No : 113590.00

Rework No : N/A

Directives :

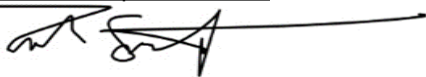
Low Voltage Directive 2014/35/EU

Harmonized Standards Used :

EN 60034-1: 2010 (IEC 60034-1: 2010)

EN 60034-5: 2001/A1:2007 (IEC 60034-5: 2000/A1:2006)

Authorized Representative:



Zach Stauffer  
Vice President, Engineering

Authorized Representative in the Community:



Stefano Casiraghi  
Technology Director, Engineering

Created on 07/08/2025

**CE 25**