

PRODUCT INFORMATION PACKET



Model No: 118055.00
Catalog No: 118055.00
Explosion Proof Motor, 0.33 HP, 24 V, 1750 RPM, S56C Frame, TENV



Regal and LEESON are trademarks of Regal Rexnord Corporation or one of its affiliated companies.
©2026 Regal Rexnord Corporation, All Rights Reserved. MC017097E





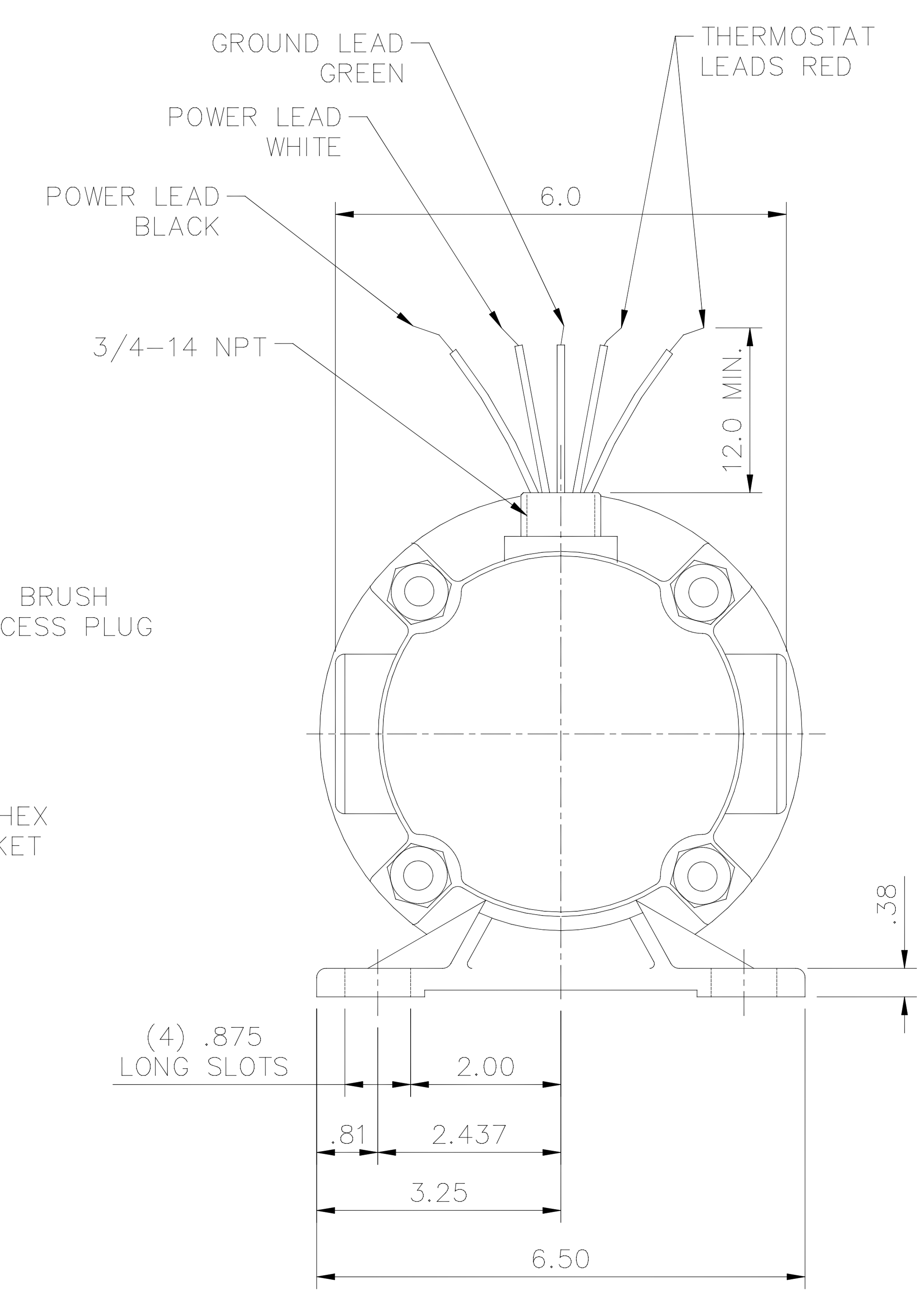
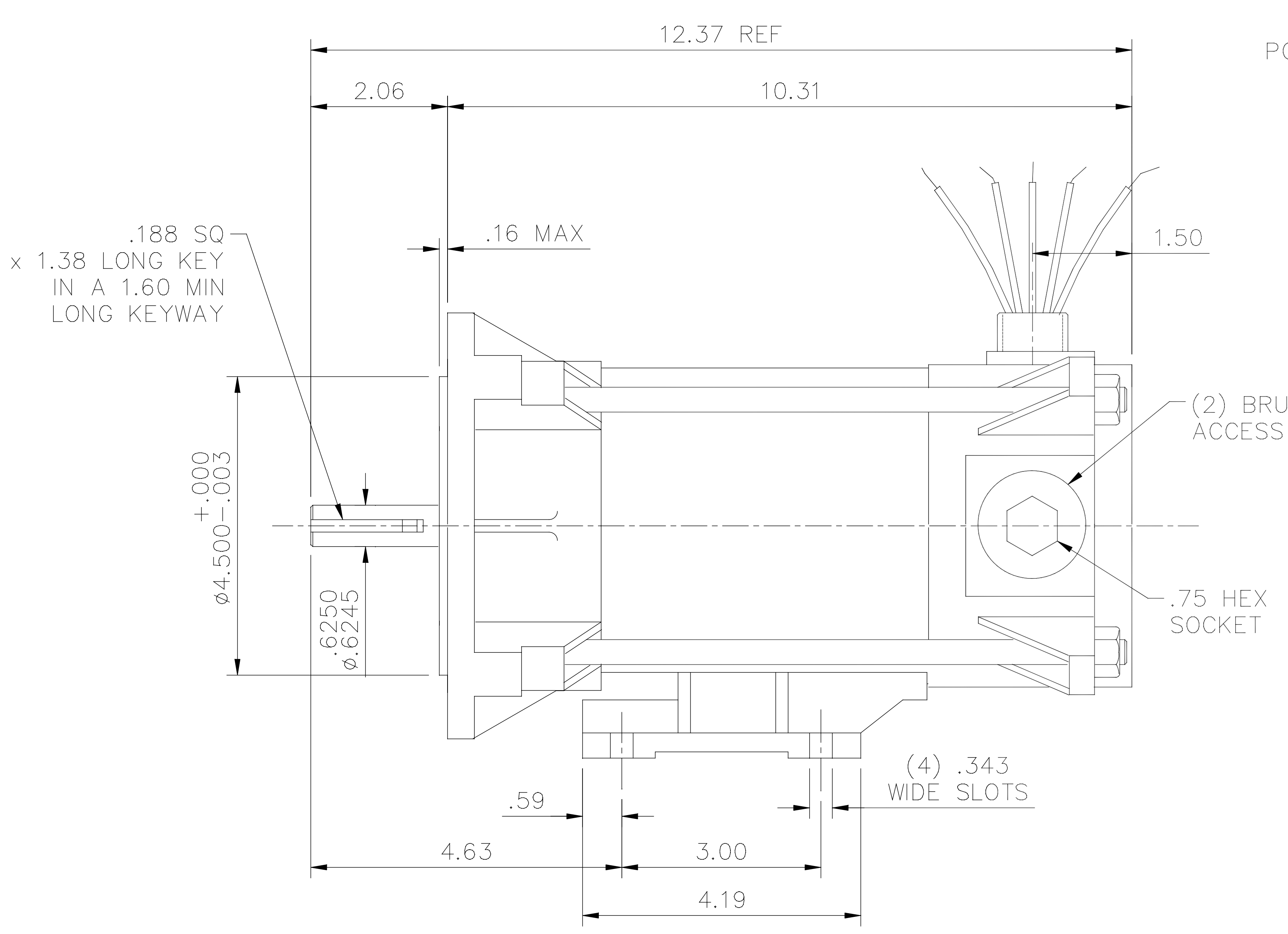
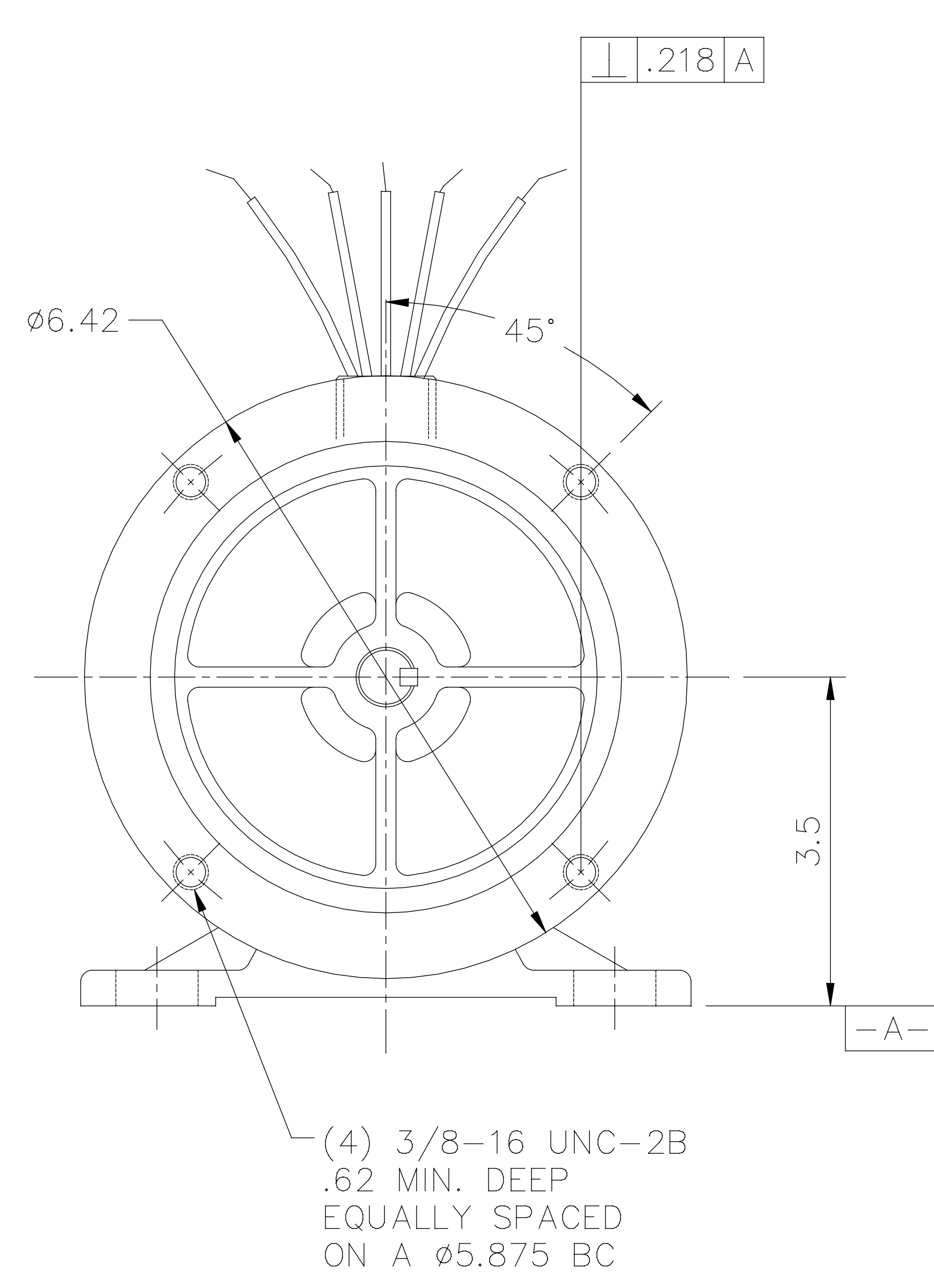
Nameplate Specifications

Output HP	0.33 Hp	Output KW	0.25 kW
Voltage	24 V	Speed	1750 rpm
Service Factor	1.0	Frame	S56C
Enclosure	Totally Enclosed Non Ventilating	Thermal Protection	Thermostat
Efficiency	77.9 %	Ambient Temperature	40 °C
Current	13.4 A	Duty	Continuous
Insulation Class	H	Drive End Bearing Size	6203
Opp Drive End Bearing Size	6203	UL	Recognized
CSA	Y	CE	N

Technical Specifications

Rotation	Reversible	Mounting	Rigid C base
Overall Length	12.37 in	Shaft Diameter	0.625 in
Shaft Extension	2.06 in	Torque	12 LB-IN
Outline Drawing	612-0196-000		

This is an uncontrolled document once printed or downloaded and is subject to change without notice. Date Created:02/28/2026



VOLTAGE	24 VDC
HORSEPOWER	1/3
RPM	1750
AMPERES	13.4
CONTINUOUS DUTY	
PERMANENT MAGNET FIELD	
CLASS H INSULATION	
BALL BEARINGS	

NOTES:
 1) ALL DIMENSIONS REFERENCE UNLESS TOLERANCED.
 2) UL LISTED (E56538) AND CSA CERTIFIED (LR43478).

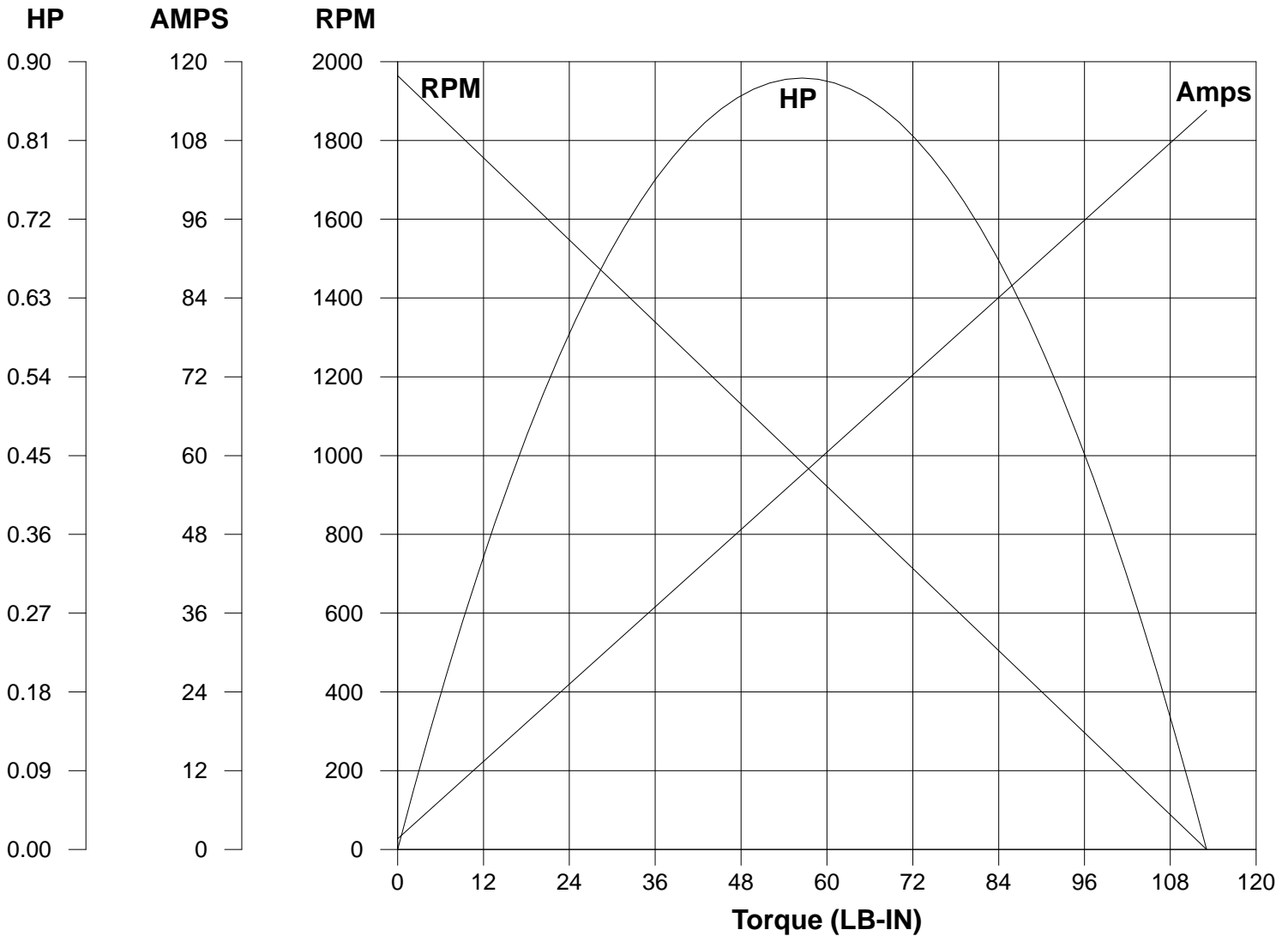
ITEM No.	ITEM REV
-000	0

		TOLERANCES UNLESS SPECIFIED		LEESON ELECTRIC MOTORS GEARMOTORS AND DRIVES		DRAWN IPG 10/22/15	
		DEC.	INCHES	TITLE		CHK	APPD
		.X	$\pm .1$	OUTLINE		SCALE 3=8	
		.XX	$\pm .03$	EXPLOSION PROOF DC MOTOR		REF 034446, 612-0195	
		.XXX	$\pm .005$	MATERIAL		FMF 118055.00	
A	RELEASED, ECO-0086286	IPG	10/22/15	.XXXX	$\pm .0005$	PREV	
NO.	REVISION	BY & DATE	CHK	ANG	$\pm 1/2'$	FINISH	
			RFP			CAD FILE 612-0196	SIZE DRAWING NO. B 612-0196
THIS DRAWING IN DESIGN AND DETAIL IS OUR PROPERTY AND MUST NOT BE USED EXCEPT IN CONNECTION WITH OUR WORK ALL RIGHTS OF DESIGN AND INVENTION ARE RESERVED THIS IS AN ELECTRONICALLY GENERATED DOCUMENT - DO NOT SCALE THIS PRINT						DIST	REV. A

LEESON ELECTRIC CORPORATION

TYPICAL PERFORMANCE CURVE FOR DIRECT CURRENT PERMANENT MAGNET MOTOR

Model No. C6D17EK7 **Catalog No.** 118055.00
HP 0.330 **RPM** 1750 **DC Volts** 24.0 **N.P. FLA** 13.40
F.F. 1.00 **Encl** TENV **Type** DE **S.F.** 1.00
Max. Amb. 40.0 Deg C **Insul.** H **Frame** S56C **Duty** CONT



Ra 0.2130 Ohms
La 0.8850 mHenrys
Ja 0.0333 LB-FT²
Ke 0 V/KRPM

Kt 0 LB-IN/AMP
Imax 165.0 AMPS Allowed
FL Torque 12.00 LB-IN
FL EFF 0.00 %

Winding W- PS11 **Prepared by** V. Boehlen **Date** 02-04-2020