

# PRODUCT INFORMATION PACKET



Model No: 120043.00

Catalog No: 120043.00

General Purpose Motor, 1 HP, 1 Ph, 60 Hz, 115/230 V, 1200 RPM, 145T Frame, TEFC

**Operational at 115/208-230 V @60HZ**



Regal and Leeson are trademarks of Regal Rexnord Corporation or one of its affiliated companies.

©2023 Regal Rexnord Corporation, All Rights Reserved. MC017097E





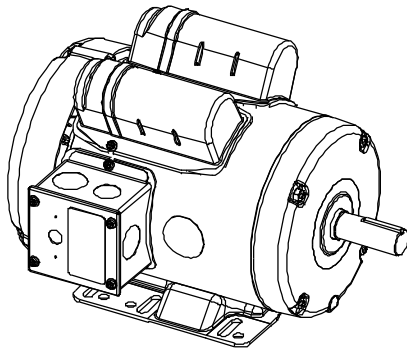
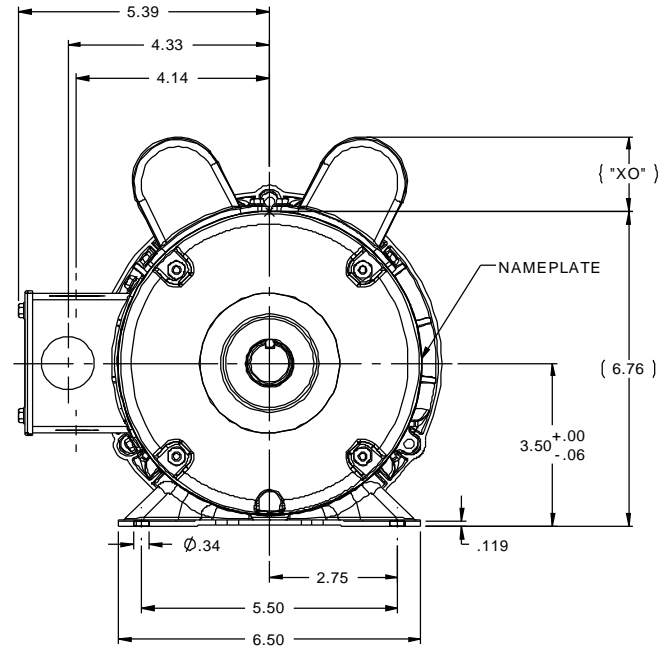
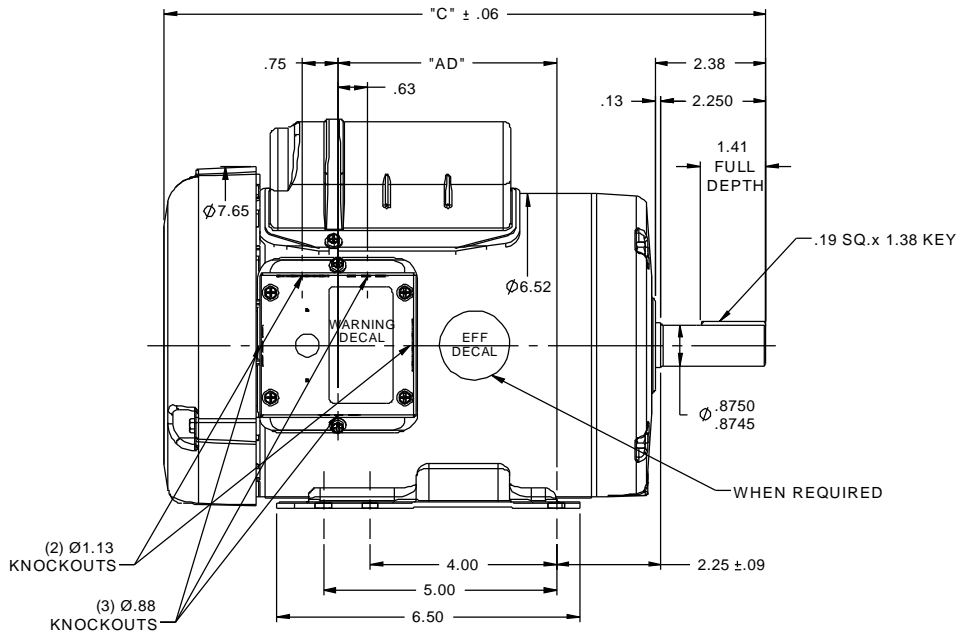
### Nameplate Specifications

|                        |               |                            |                             |
|------------------------|---------------|----------------------------|-----------------------------|
| Phase                  | 1             | Output HP                  | 1 Hp                        |
| Output KW              | 0.75 kW       | Voltage                    | 115/230 V                   |
| Speed                  | 1140 rpm      | Service Factor             | 1.0                         |
| Frame                  | 145T          | Enclosure                  | Totally Enclosed Fan Cooled |
| Thermal Protection     | No Protection | Efficiency                 | 74 %                        |
| Ambient Temperature    | 40 °C         | Frequency                  | 60 Hz                       |
| Current                | 12.8/6.4 A    | Power Factor               | 70                          |
| Duty                   | Continuous    | Insulation Class           | B                           |
| Design Code            | L             | KVA Code                   | H                           |
| Drive End Bearing Size | 6205          | Opp Drive End Bearing Size | 6203                        |
| UL                     | Recognized    | CSA                        | Y                           |
| CE                     | N             | IP Code                    | 43                          |
| Number of Speeds       | 1             |                            |                             |

### Technical Specifications

|                       |                               |                       |                            |
|-----------------------|-------------------------------|-----------------------|----------------------------|
| Electrical Type       | Capacitor Start Capacitor Run | Starting Method       | Across The Line            |
| Poles                 | 6                             | Rotation              | Selective Counterclockwise |
| Resistance Main       | 2.08 Ohms                     | Mounting              | Rigid Base                 |
| Motor Orientation     | Horizontal                    | Drive End Bearing     | Ball                       |
| Opp Drive End Bearing | Ball                          | Frame Material        | Rolled Steel               |
| Shaft Type            | T                             | Overall Length        | 14.43 in                   |
| Frame Length          | 8.50 in                       | Shaft Diameter        | 0.875 in                   |
| Shaft Extension       | 2.25 in                       | Assembly/Box Mounting | F1 ONLY                    |
| Connection Drawing    | 005103.01                     | Outline Drawing       | 028803-850B                |

RBC PROPRIETARY AND CONFIDENTIAL INFORMATION  
 This document is the property of REGAL BELOIT CORPORATION ("RBC") including its subsidiaries and divisions and contains proprietary information of RBC. This document is loaned on the express condition that neither the information contained therein shall be disclosed to others without the express written consent of RBC, and that the information shall be used by the recipient only as approved expressly by RBC. This document shall be returned to RBC upon its request. This document may be subject to certain restrictions under U.S. export control laws and regulations.

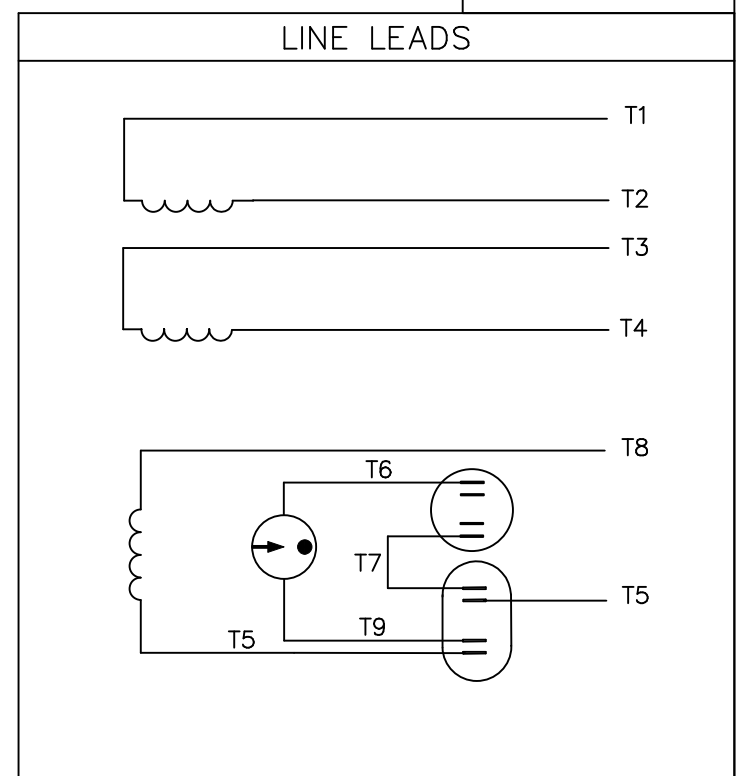
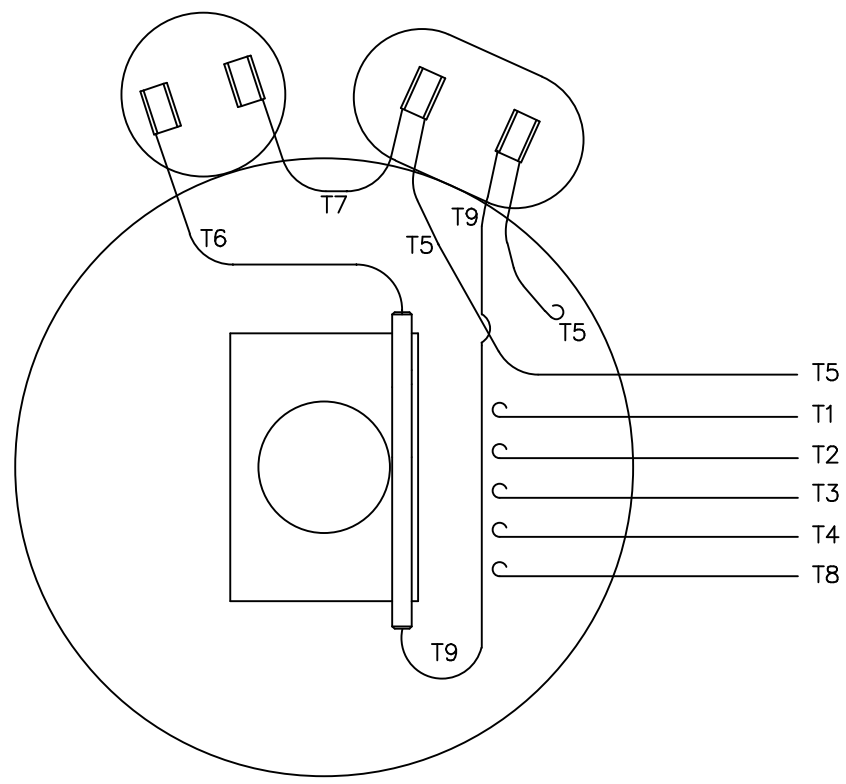


| DASH NO. | "C"   | "AD" | CAP DASH | "XO" |
|----------|-------|------|----------|------|
| 700      | 12.93 | 4.69 | A        | 1.15 |
| 750      | 13.43 | 5.19 | B        | 1.60 |
| 800      | 13.93 | 5.69 | C        | 1.82 |
| 850      | 14.43 | 6.19 |          |      |

NOTE:  
 1) GASKETS THROUGHOUT

| TOLERANCES UNLESS SPECIFIED |                                     | DEC INCHES |                   | TITLE                | FINISH                 | DRAWN        |
|-----------------------------|-------------------------------------|------------|-------------------|----------------------|------------------------|--------------|
| DEC                         | INCHES                              | DEC        | INCHES            |                      |                        |              |
| X                           | ±.1                                 |            |                   | OUTLINE - 140T FRAME | TEFC - RIGID           | KMM 10/04/07 |
| XX                          | ±.03                                |            |                   |                      |                        | 3:8          |
| XXX                         | ±.005                               |            |                   |                      |                        | 028589       |
| XXXX                        | ±.0005                              |            |                   |                      |                        |              |
| 01                          | CORRECTED BASE LOCATION ECR 0035519 | GS         | 3/5/13            |                      |                        |              |
| NO                          | REVISION                            | BY & DATE  | CHK LANG          | ±1/2°                | FINISH GENERAL PURPOSE | PAGE OF      |
|                             | THIRD ANGLE PROJECTION              |            | RFP               | PREV                 | SIZE                   | DRAWING NO   |
|                             |                                     |            | NETWORK FILE NAME | 028803               | B                      | 028803       |
|                             |                                     |            |                   |                      |                        | REV          |
|                             |                                     |            |                   |                      |                        | 01           |

VIEW FROM OUTSIDE OF MOTOR AT SWITCH END.



|           | ROTATION FACING LEAD END | L1          | L2          | JOIN        |
|-----------|--------------------------|-------------|-------------|-------------|
| HIGH VOLT | C.C.W.                   | T1          | T4<br>T5    | T2,T3<br>T8 |
|           | C.W.                     | T1          | T4<br>T8    | T2,T3<br>T5 |
| LOW VOLT  | C.C.W.                   | T1,T3<br>T8 | T2,T4<br>T5 |             |
|           | C.W.                     | T1,T3<br>T5 | T2,T4<br>T8 |             |

| TOLERANCES UNLESS OTHERWISE SPECIFIED |         |
|---------------------------------------|---------|
| DECIMALS                              |         |
| .00                                   | ± .01   |
| .000                                  | ± .005  |
| .0000                                 | ± .0005 |
| FRACTIONS                             |         |
|                                       | ± 1/64  |

**LEESON** ELECTRIC CORPORATION

|                   |        |                         |
|-------------------|--------|-------------------------|
| DRAWN MM 09/18/75 | TITLE  | EXTERNAL WIRING DIAGRAM |
| CH'K'D. JRW       |        | TYPE "K" W/O PROTECTOR  |
| APPR. 09/19/75    | MAT'L. | DECAL-004012            |
| SCALE 1=1         |        | <b>BRF</b>              |
| REF. A-005054     | FINISH | SIZE                    |
| FMF W-K63412      |        | DRAWING NO.             |
|                   |        | 005103-01               |

|   |                |     |          |  |
|---|----------------|-----|----------|--|
|   |                |     |          |  |
|   |                |     |          |  |
|   |                |     |          |  |
| 6   | REDRAWN ON CAD | DBT | 05/28/97 |  |
| NO.   | REVISION       | BY  | DATE     |  |
| THIS DRAWING IN DESIGN AND DETAIL IS OUR PROPERTY AND MUST NOT BE USED EXCEPT IN CONNECTION WITH OUR WORK ALL RIGHTS OF DESIGN AND INVENTION ARE RESERVED |                |     |          |  |

