

# PRODUCT INFORMATION PACKET



Model No: 121825.00  
Catalog No: 121825.00  
General Purpose Motor, 3 HP, 1 Ph, 60 Hz, 230 V, 3600 RPM, 145TC Frame, TEFC



Regal and Leeson are trademarks of Regal Rexnord Corporation or one of its affiliated companies.  
©2022 Regal Rexnord Corporation, All Rights Reserved. MC017097E



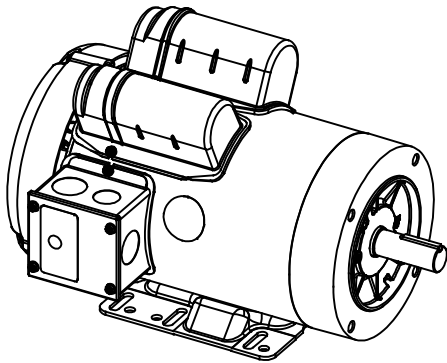
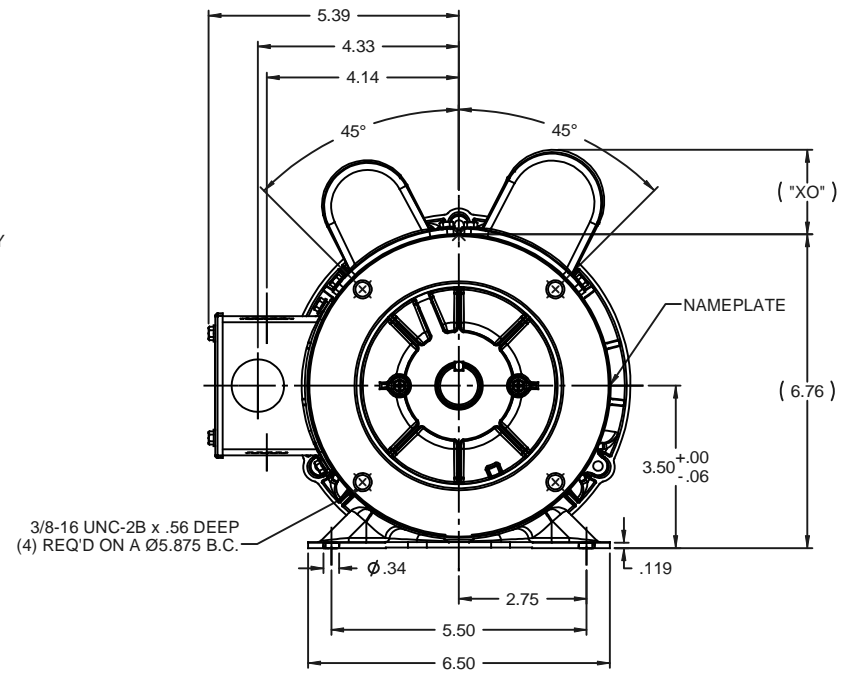
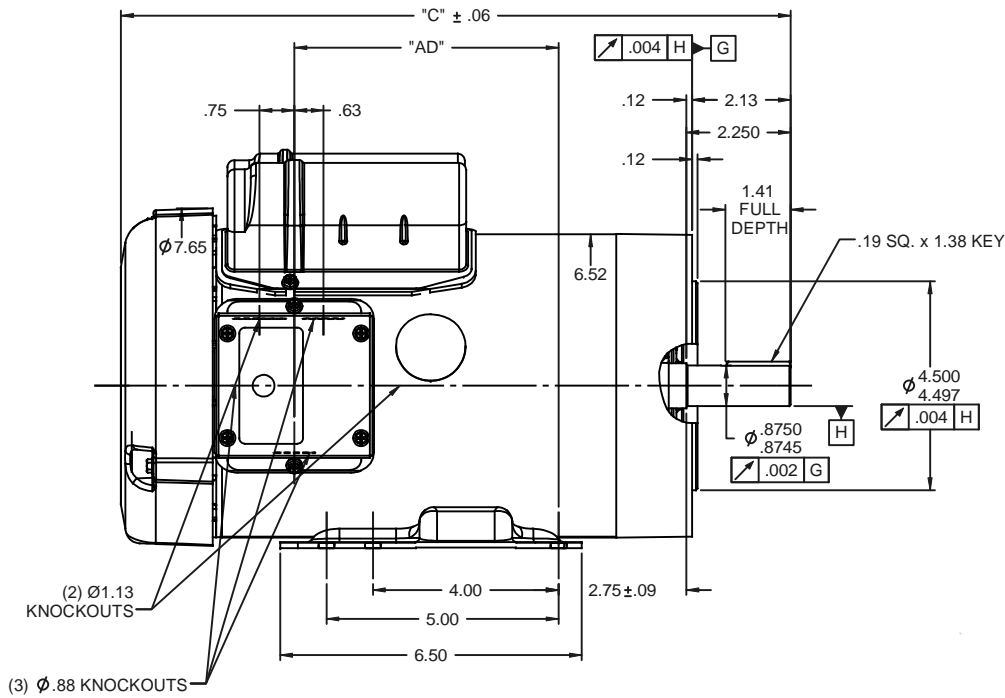


### Nameplate Specifications

Output HP	<b>3 Hp</b>	Output KW	<b>2.2 kW</b>
Frequency	<b>60 Hz</b>	Voltage	<b>230 V</b>
Current	<b>13.0 A</b>	Speed	<b>3450 rpm</b>
Service Factor	<b>1</b>	Phase	<b>1</b>
Efficiency	<b>81.5 %</b>	Power Factor	<b>91</b>
Duty	<b>Continuous</b>	Insulation Class	<b>F</b>
Design Code	<b>L</b>	KVA Code	<b>J</b>
Frame	<b>145TC</b>	Enclosure	<b>Totally Enclosed Fan Cooled</b>
Thermal Protection	<b>No Protection</b>	Ambient Temperature	<b>40 °C</b>
Drive End Bearing Size	<b>6205</b>	Opp Drive End Bearing Size	<b>6203</b>
UL	<b>Recognized</b>	CSA	<b>Y</b>
CE	<b>N</b>	IP Code	<b>43</b>
Number of Speeds	<b>1</b>		

### Technical Specifications

Electrical Type	<b>Capacitor Start Capacitor Run</b>	Starting Method	<b>Across The Line</b>
Poles	<b>2</b>	Rotation	<b>Selective Counterclockwise</b>
Resistance Main	<b>.52 Ohms</b>	Mounting	<b>Rigid Base</b>
Motor Orientation	<b>Horizontal</b>	Drive End Bearing	<b>Ball</b>
Opp Drive End Bearing	<b>Ball</b>	Frame Material	<b>Rolled Steel</b>
Shaft Type	<b>T</b>	Overall Length	<b>14.43 in</b>
Frame Length	<b>8.50 in</b>	Shaft Diameter	<b>0.875 in</b>
Shaft Extension	<b>2.25 in</b>	Assembly/Box Mounting	<b>F1 ONLY</b>
Outline Drawing	<b>028800-850C</b>	Connection Drawing	<b>005018.01</b>

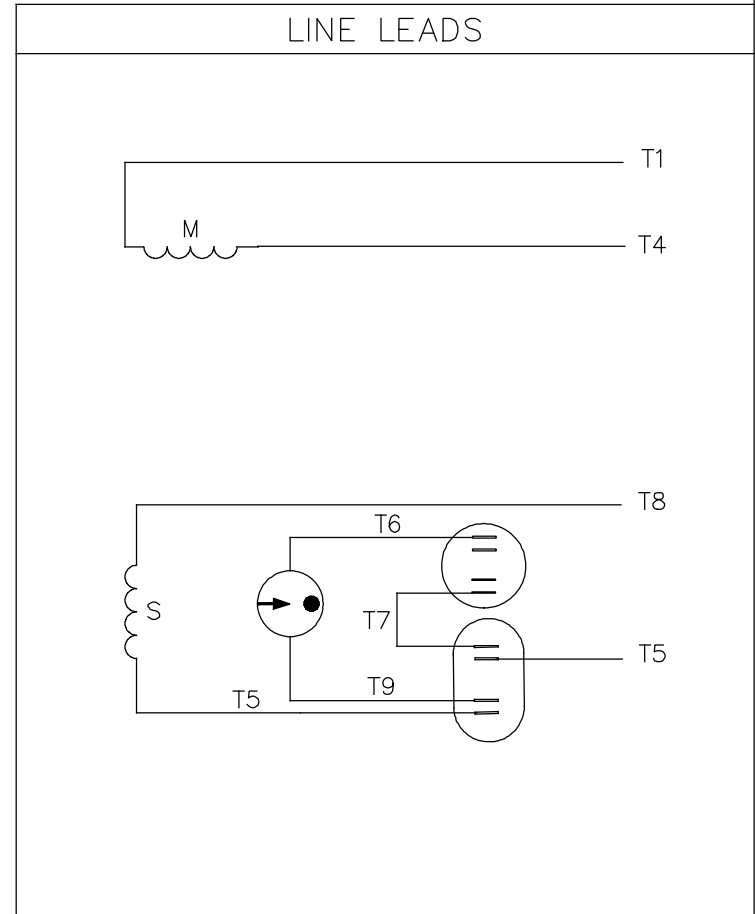
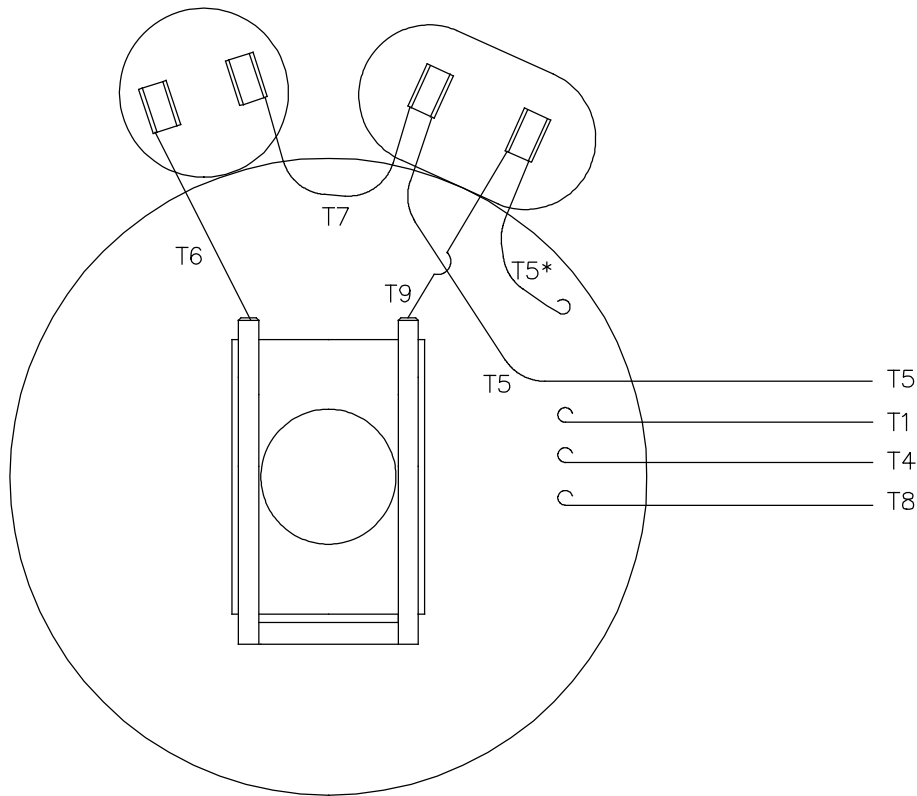


DASH NO.	"C"	"AD"	CAP DASH	"XO"
700	12.93	4.19	A	1.15
750	13.43	4.69	B	1.60
800	13.93	5.19	C	1.82
850	14.43	5.69		

NOTE:  
1) GASKETS THROUGHOUT

TOLERANCES UNLESS SPECIFIED		LEESON ELECTRIC MOTORS GEARMOTORS AND DRIVES		DRAWN KMM 09/27/07	
DEC	INCHES			CHK	
X	±.1			APPR	
XX	±.03	TITLE OUTLINE - 145TC FRAME		SCALE 3:8	
XXX	±.005	TEFC - RIGID "C" FACE		REF OL120274	
XXXX	±.0005	MAT'L		FMF 120274.00	
NO	REVISION	BY & DATE	CHK ANG ±1/2°	FINISH	PAGE OF
	THIRD ANGLE PROJECTION		RFP	PREV	SIZE DRAWING NO
			NETWORK FILE NAME	B	028800
					REV

VIEW FROM OUTSIDE OF MOTOR AT SWITCH END.



ROTATION FACING LEAD END	L1	L2
C.C.W.	T1, T8	T4, T5
C.W.	T1, T5	T4, T8

\* THIS LEAD MAY BE WHITE

NO.	REVISION	BY & DATE	CHK	ANG	TOLERANCES UNLESS SPECIFIED		FINISH	DRAWN	CHK	APPD	SCALE	REF	PREV		
					DEC.	INCHES									
21	LOGO UPDATED FROM LEESON TO MARATHON	AS 07/03/19	AS	.X	±.1				ADH	02/19/74					
20	ALTERNATE T5 LEAD MARKING WAS RED	RLW 7/22/02	KH	.XX	±.01				WRK	02/20/74					
19	ADDED ALTERNATE T5 LEAD MARKING	RLW 5/31/02	KH	.XXX	±.005				JCW	02/20/74	1=1				
18	REDRAWN ON CAD	DBT 06/24/97		.XXXX	±.0005										
					±1/2"										
THIS DRAWING IN DESIGN AND DETAIL IS OUR PROPERTY AND MUST NOT BE USED EXCEPT IN CONNECTION WITH OUR WORK ALL RIGHTS OF DESIGN AND INVENTION ARE RESERVED THIS IS AN ELECTRONICALLY GENERATED DOCUMENT - DO NOT SCALE THIS PRINT								RFP	CAD FILE			00501801	SIZE	DRAWING NO.	REV.
								DIST	BRF-NLV			A	005018-01	21	





1051 CHEYENNE AVE.  
GRAFTON, WI 53024  
PH. 262-377-8810

**CERTIFICATION DATA SHEET**

**CONN. DIAGRAM:** 005018.01  
**OUTLINE:** 028800-850C  
**WINDING #:** K632129 FR 2 A

**CATALOG #:** 121825.00  
**MOUNTING:** F1 ONLY

**TYPICAL MOTOR PERFORMANCE DATA**

HP	kW	SYNC. RPM	F.L. RPM	FRAME	ENCLOSURE	KVA CODE	DESIGN
3	2.24	3600	3450	145TC	TEFC	J	L

PH	Hz	VOLTS	AMPS	START TYPE	DUTY	INSL	S.F.	AMB°C
1	60	230	13	ACROSS THE LINE	CONTINUOUS	F4	1.0	40

FULL LOAD EFF:	81.5	3/4 LOAD EFF:	81.3	1/2 LOAD EFF:	77.3	GTD. EFF		ELEC. TYPE	
FULL LOAD PF:	91	3/4 LOAD PF:	88.2	1/2 LOAD PF:	81	78.5		CAP START CAP RUN	

F.L. TORQUE	LOCKED ROTOR AMPS	L.R. TORQUE	B.D. TORQUE	F.L. RISE°C
4.5 LB-FT	100	12.5 LB-FT 278 %	13.5 LB-FT 300 %	80

SOUND PRESSURE @ 3 FT.	SOUND POWER	ROTOR WK^2	MAX. WK^2	SAFE STALL TIME	STARTS / HOUR	APPROX. MOTOR WGT
0 dBA	10 dBA	0.1 LB-FT^2	0 LB-FT^2	0 SEC.	0	47 LBS.

**\*\*\* SUPPLEMENTAL INFORMATION \*\*\***

DE BRACKET TYPE	ODE BRACKET TYPE	MOUNT TYPE	ORIENTATION	SEVERE DUTY	HAZARDOUS LOCATION	DRIP COVER	SCREENS	PAINT
C-FACE	STANDARD	RIGID	HORIZONTAL	FALSE	NONE	FALSE	NONE	BLUE - LEESON (ENAMEL)

BEARINGS		GREASE	SHAFT TYPE	SPECIAL DE	SPECIAL ODE	SHAFT MATERIAL	FRAME MATERIAL
DE	ODE						
BALL	BALL	POLYREX EM	T	NONE	NONE	1144 STRESSPROOF (C-223)	ROLLED STEEL
6205	6203						

THERMO-PROTECTORS				THERMISTORS	CONTROL	SPACE HEATERS
THERMOSTATS	PROTECTORS	WDG RTDs	BRG RTDs			
NONE	NOT	NONE	NONE	NONE	FALSE	NONE VOLTS

\*  
N  
O  
T  
E  
S  
\*

<b>INVERTER TORQUE:</b> NONE
<b>INV. HP SPEED RANGE:</b> NONE
<b>ENCODER:</b> NONE NONE NONE NONE NONE PPR
<b>BRAKE:</b> NONE NONE NONE P/N NONE NONE NONE FT-LB NONE V NONE Hz

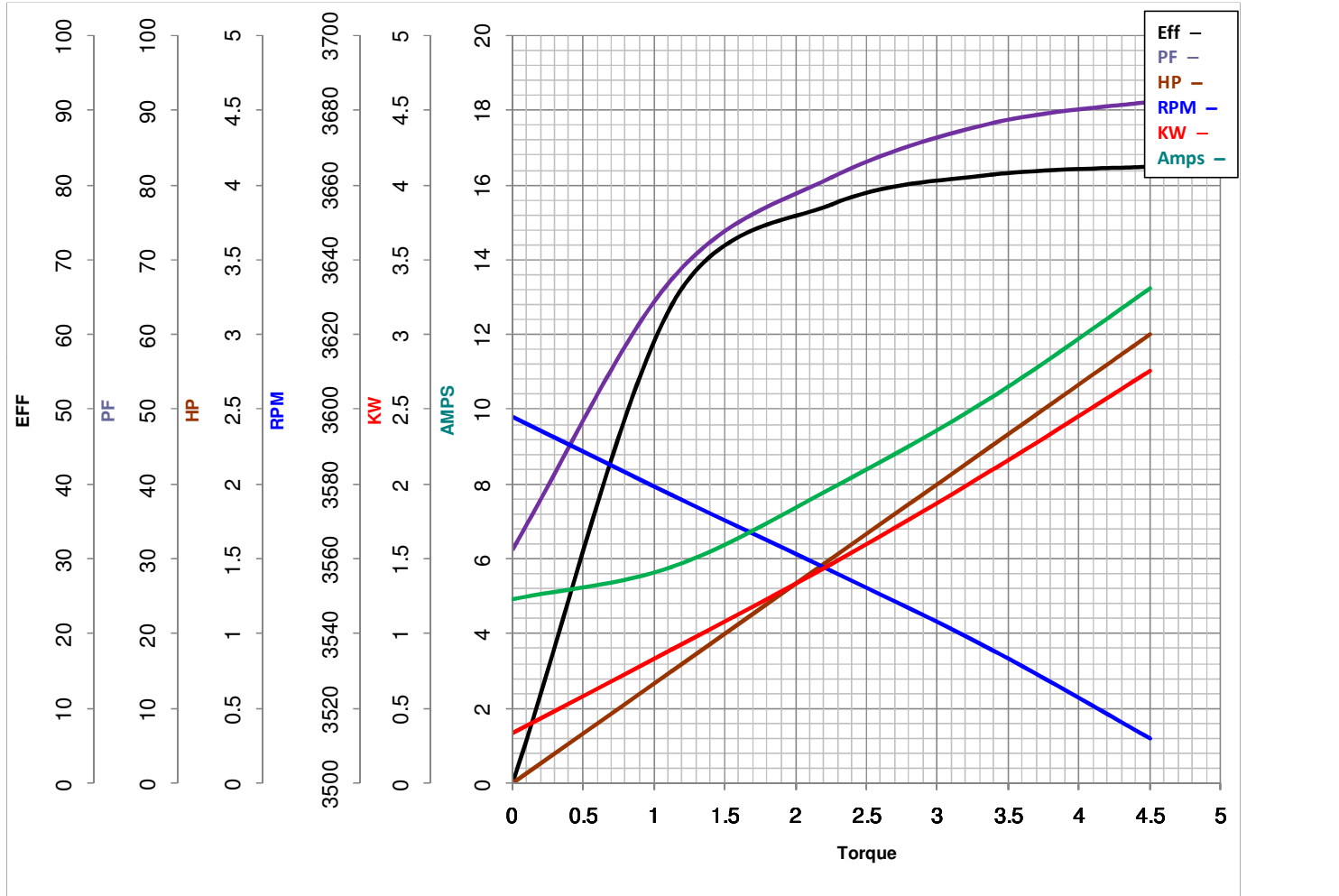


**LEESON ELECTRIC CORPORATION**  
TYPICAL PERFORMANCE CURVE for AC MOTOR

Model No 121825.00

Catalog No 121825.00

Curve at 230 Volts      HP 3.00      PHASE 1  
60 HZ  
3 HP      VOLTS 230  
HZ 60      RPM 3450



Torque in Lb.Ft

FL TORQUE 4.5 Lb.Ft  
 BD TORQUE 13.5 Lb.Ft  
 LR TORQUE 12.5 Lb.Ft

FL AMPS 13  
 PU TORQUE 12.0 Lb.Ft  
 LR AMPS 100

WINDING K632129-2

Date 3/27/2018