

# PRODUCT INFORMATION PACKET



Model No: 143TTDR16052

Catalog No: U758-P

General Purpose Motor, 1 & 0.75 HP, 3 Ph, 60 & 50 Hz, 230/460 & 190/380 V, 1800 & 1500 RPM,  
143T Frame, DP



Regal and LEESON are trademarks of Regal Rexnord Corporation or one of its affiliated companies.  
©2025 Regal Rexnord Corporation, All Rights Reserved. MC017097E





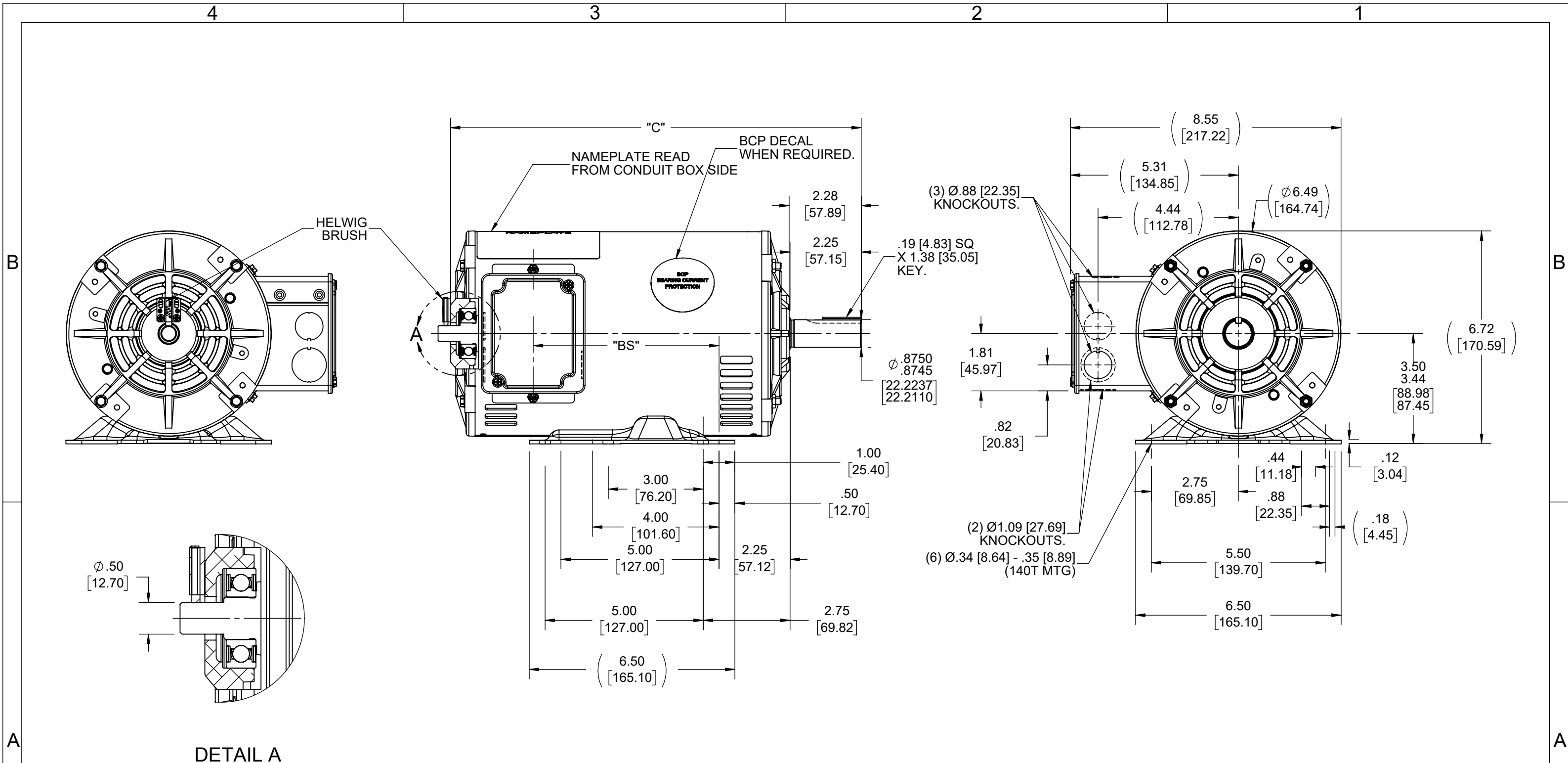
### Nameplate Specifications

Phase	<b>3</b>	Output HP	<b>1 &amp; 0.75 Hp</b>
Output KW	<b>0.75 &amp; 0.56 kW</b>	Voltage	<b>230/460 &amp; 190/380 V</b>
Speed	<b>1760 &amp; 1460 rpm</b>	Service Factor	<b>1.15 &amp; 1.15</b>
Frame	<b>143T</b>	Enclosure	<b>Drip Proof</b>
Thermal Protection	<b>No Protection</b>	Efficiency	<b>85.5 &amp; 85.3 %</b>
Ambient Temperature	<b>40 °C</b>	Frequency	<b>60 &amp; 50 Hz</b>
Current	<b>3/1.5 &amp; 3/1.5 A</b>	Power Factor	<b>71</b>
Duty	<b>Continuous</b>	Insulation Class	<b>F</b>
Design Code	<b>B</b>	KVA Code	<b>N</b>
Drive End Bearing Size	<b>6205</b>	Opp Drive End Bearing Size	<b>6203</b>
UL	<b>Recognized</b>	CSA	<b>Y</b>
CE	<b>Y</b>	IP Code	<b>22</b>
Number of Speeds	<b>1</b>		

### Technical Specifications

Electrical Type	<b>Squirrel Cage Inverter Rated</b>	Starting Method	<b>Line Or Inverter</b>
Poles	<b>4</b>	Rotation	<b>Reversible</b>
Resistance Main	<b>13.6 Ohms</b>	Mounting	<b>Rigid Base</b>
Motor Orientation	<b>Horizontal</b>	Drive End Bearing	<b>Ball</b>
Opp Drive End Bearing	<b>Ball</b>	Frame Material	<b>Rolled Steel</b>
Shaft Type	<b>T</b>	Overall Length	<b>12.99 in</b>
Frame Length	<b>9.06 in</b>	Shaft Diameter	<b>0.875 in</b>
Shaft Extension	<b>2.28 in</b>	Assembly/Box Mounting	<b>F1 ONLY</b>
Inverter Load	<b>VARIABLE 10:1</b>		
Outline Drawing	<b>108065-906</b>	Connection Drawing	<b>A-EE7308</b>





DETAIL A

NOTE:-  
1) CONDUIT BOX CAN ROTATED 180° STEP.

DASH	"C"	"BS"
706	10.99 [279.15]	3.88 [98.55]
756	11.49 [291.85]	4.38 [111.25]
806	11.99 [304.55]	4.88 [123.95]
856	12.49 [317.25]	5.38 [136.65]
906	12.99 [329.95]	5.88 [149.35]
956	13.49 [342.65]	6.38 [162.05]

DRAWING REVISION	REVISION BY	DATE
E	RAJESH	3/27/2023
ECO	APPROVED BY	DATE
ECR-0224554	SATISH	3/27/2023

ECO DESCRIPTION  
SGR REPLACED WITH HELWIG BRUSH

COPYRIGHT REGAL BELOIT AMERICA, INC. ALL RIGHTS RESERVED.  
PROPRIETARY AND CONFIDENTIAL INFORMATION - THIS DOCUMENT IS THE PROPERTY OF REGAL BELOIT AMERICA, INC. ("OWNER") AND CONTAINS OWNER'S PROPRIETARY INFORMATION. ANY PERSON, CORPORATION OR OTHER FIRM RECEIVING IT IS DEEMED, BY RECEIVING IT, TO AGREE THAT IT, AND/OR ANY PART OF IT, SHALL NOT BE DISCLOSED TO ANY PERSON, CORPORATION OR OTHER ENTITY, DUPLICATED, AND/OR USED, EXCEPT AS EXPRESSLY APPROVED IN WRITING IN ADVANCE BY OWNER. THIS DOCUMENT SHALL BE RETURNED TO OWNER UPON REQUEST. IT MAY BE SUBJECT TO CERTAIN RESTRICTIONS UNDER APPLICABLE EXPORT CONTROL LAWS AND REGULATIONS.

TOLERANCES UNLESS OTHERWISE SPECIFIED:

DEC.	INCH	mm	ANGLE
.X	$\pm 0.1$	[ $\pm 2.5$ ]	$\pm 0.5^\circ$
.XX	$\pm 0.03$	[ $\pm 0.76$ ]	
.XXX	$\pm 0.005$	[ $\pm 0.127$ ]	
.XXXX	$\pm 0.0005$	[ $\pm 0.0127$ ]	

REMOVE BURRS & BREAK SHARP EDGES: .003/.015 [0.076/.381] X 45°  
CORNER FILLETS: R.02 [0.51]  
MACHINED SURFACES: 125/3.2 INCH/mm

DRAWN BY	LST
DATE	06/07/13
APPROVED BY	
DATE	
REFERENCE	108065
THIRD ANGLE PROJECTION	

**REGAL**™ Regal Beloit America, Inc.

DESCRIPTION  
**OUTLINE**  
140T FRAME & 56HZ-DR.PR.

MATERIAL  
PROCESS/FINISH

SIZE **B** DRAWING NUMBER **108065** SHEET 1 OF 1



NO.	REVISION	BY & DATE	CHK	ANG	TOLERANCES UNLESS SPECIFIED		FINISH	DRAWN RM 11/20/1990				
					DEC.	INCHES						
5	CHG TO REGAL LOGO	SL 09/10/2015	AB					CHK ML 11/21/1990				
4	REVISED IEC NOTATIONS	MSG 11/15/2011	CMN	.X	±.1			APPD SAS 04/24/2003				
3	ADDED IEC NOTATIONS... (U1), (V1) ETC. MU95194	MSG 5/10/2010	MJS	.XX	±.02		TITLE CONNECTION DIAGRAM	SCALE 1=1				
2	ADDED THE OPTIONAL CORD CONNECTION MU46318	RDH 04/24/2003	DRS	.XXX	±.005		3Ø - DUAL VOLTAGE MOTOR	REF				
1	REDRAWN	RM 11/20/1990		.XXXX	±.0005		MAT'L.	FMF				
					±7'30"			PREV				
THIS DRAWING IN DESIGN AND DETAIL IS OUR PROPERTY AND MUST NOT BE USED EXCEPT IN CONNECTION WITH OUR WORK ALL RIGHTS OF DESIGN AND INVENTION ARE RESERVED THIS IS AN ELECTRONICALLY GENERATED DOCUMENT - DO NOT SCALE THIS PRINT							RFP	CAD FILE ee7308	SIZE A	DRAWING NO. EE7308	PAGE OF 5	REV. 5
							DIST WP					

**CERTIFICATION DATA SHEET**

**Model#:** 143TTDR16052 AA  
**CONN. DIAGRAM:** A-EE7308  
**OUTLINE:** 108065-906

**WINDING#:** ZT4259 NONE 3  
**ASSEMBLY:** F1 ONLY

**TYPICAL MOTOR PERFORMANCE DATA**

HP	KW	SYNC. RPM	F.L. RPM	FRAME	ENCLOSURE	KVA CODE	DESIGN
1&3/4	.75&.56	1800	1760&1460	143T	DP	N	B

PH	Hz	VOLTS	FL AMPS	START TYPE	DUTY	INSL	S.F	AMB°C	ELEVATION
3	60/50	230/460#190/ 380	3/1.5&3/1.5	LINE OR INVERTER	CONTINUOU S	F3	1.15/1.15	40	3300

FULL LOAD EFF: 85.5&85.3	3/4 LOAD EFF: 84.6	1/2 LOAD EFF: 81.3	GTD. EFF	ELEC. TYPE	NO LOAD AMPS
FULL LOAD PF: 71&69.3	3/4 LOAD PF: 62.6	1/2 LOAD PF: 49.8	82.5	SQ CAGE INV RATED	2 / 1

F.L. TORQUE	LOCKED ROTOR AMPS	L.R. TORQUE	B.D. TORQUE	F.L. RISE°C
3 LB-FT	29 / 14.5	11.2 LB-FT 373	15.4 LB-FT 513	21

SOUND PRESSURE @ 3 FT.	SOUND POWER	ROTOR WK^2	MAX. WK^2	SAFE STALL TIME	STARTS /HOUR	APPROX. MOTOR WGT
56 dBA	66 dBA	0.117 LB-FT^2	10 LB-FT^2	20 SEC.	2	0 LBS.

**\*\*\* SUPPLEMENTAL INFORMATION \*\*\***

DE BRACKET TYPE	ODE BRACKET TYPE	MOUNT TYPE	ORIENTATION	SEVERE DUTY	HAZARDOUS LOCATION	DRIP COVER	SCREENS	PAINT
STANDARD	STANDARD	RIGID	HORIZONTAL	FALSE	NONE	FALSE	NONE	BLUE (POWDER)

BEARINGS		GREASE	SHAFT TYPE	SPECIAL DE	SPECIAL ODE	SHAFT MATERIAL	FRAME MATERIAL
DE	OPE						
BALL	BALL	POLYREX EM	T	NONE	NONE	1144 STRESSPROOF (C-223)	ROLLED STEEL
6205	6203						

THERMO-PROTECTORS				THERMISTORS	CONTROL	SPACE /n HEATERS
THERMOSTATS	PROTECTORS	WDG RTDs	BRG RTDs			
NONE	NOT	NONE	NONE	NONE	FALSE	NONE VOLTS

If Inverter equals NONE, contact factory for further information

INVERTER TORQUE: VARIABLE 10:1
INV. HP SPEED RANGE: NONE
ENCODER: NONE
NONE NONE
NONE NONE PPR
BRAKE: NONE NONE
NONE P/N NONE
NONE NONE
NONE FT-LB NONE V NONE Hz

\*  
N  
O  
T  
E  
S  
\*

DATE: 06/22/2017 07:34:47 AM  
 FORM 3531 REV.3 02/07/99

\*\* Subject to change without notice.



Data Sheet

Date: 6/29/2017

143TTDR16052

Customer: \_\_\_\_\_



Attention: \_\_\_\_\_

Submittal

Submitted by: FAREEDA DUDEKULA

Data @ 460 V

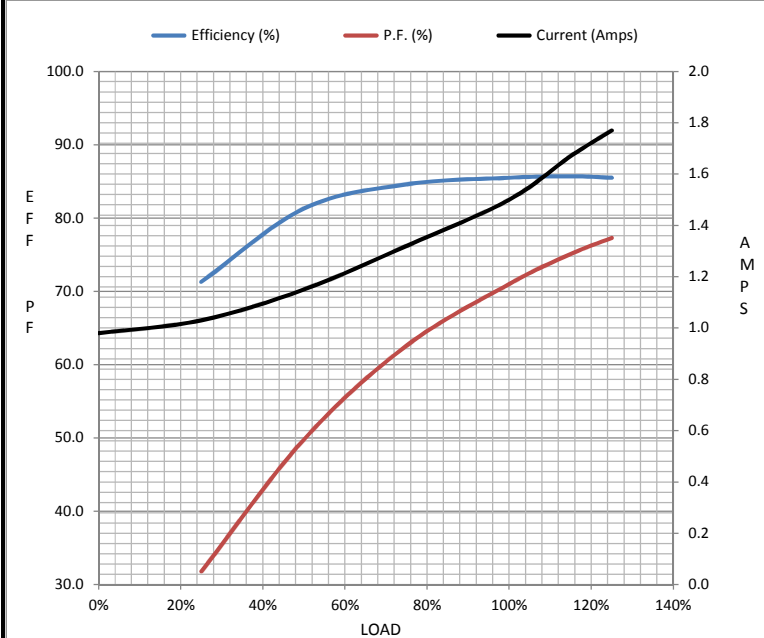
Motor Load Data

Load	0%	25%	50%	75%	100%	115%	125%	LR
Current (Amps)	0.98	1.03	1.15	1.32	1.50	1.67	1.77	14.5
Torque (ft-lb)	0.00	0.73	1.47	2.22	3.0	3.4	3.7	11.2
RPM	1800	1790	1781	1772	1760	1,755	1751	0
Efficiency (%)		71.3	81.3	84.6	85.5	85.7	85.5	
P.F. (%)	11.1	31.8	49.8	62.6	71.0	75.1	77.3	73.4

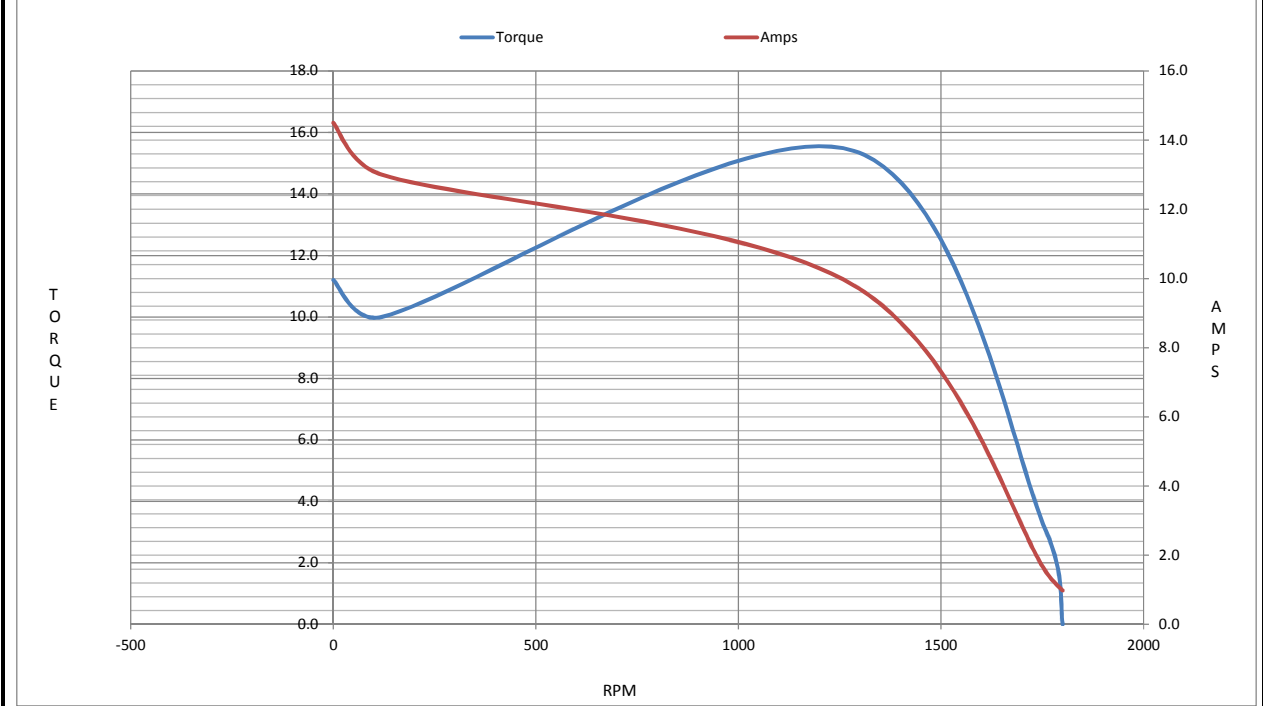
Motor Speed Data

	LR	Pull-Up	BD	Rated	Idle
Speed (RPM)	0	120	1285	1760	1800
Current (Amps)	14.5	13.0	9.8	1.50	0.98
Torque (ft-lb)	11.2	10.0	15.4	3.0	0.00

Information Block				
HP	1.0			
Sync. RPM	1800			
Frame	143			
Enclosure	DP			
Construction	TDR			
Voltage	30/460#190/381V			
Frequency	60 Hz			
Design	A			
LR Code letter	N			
Service Factor	1.15			
Temp Rise @ FL	21 °C			
Duty	CONT			
Ambient	40 °C			
Elevation	1,000 feet			
Rotor/Shaft wk <sup>2</sup>	0.12 Lb-Ft <sup>2</sup>			
Ref Wdg	ZT4259 NONE			
Sound Pressure @ 1M	56 dBA			
VFD Rating	VARIABLE 10:1			
Outline Dwg	108065-906			
Conn. Diag	A-EE7308			
Additional Specifications:				
0				
0				
EQUIV CKT (OHMS / PHASE)				
R1	R2	X1	X2	Xm
0.0000	0.0000	0.0000	0.0000	0.0000



Speed - Torque Curve



## EC Declaration of Conformity

The undersigned representing  
the manufacturer:

Regal Beloit America  
1946 West Cook Road  
Fort Wayne, IN 46818

and the authorized representative  
established within the Community:

Regal Beloit Italy  
Via Modena, 18  
24040 Ciserano(BG) - Italy

are committed to providing customers with products that comply with applicable regulations and international protocols to which they are subject, including the requirements of the European Parliament Directive on the Harmonization of the laws relating to electrical equipment designed for use within certain voltage limits (2014/35/EU).

Regal Beloit America declares that the following product(s), to which this declaration relates, are in conformity with the relevant sections of the EC standards listed below.

This statement supersedes any statements previously issued pertaining to the product(s) listed below and is subject to change without notice.

Model No : 143TTDR16052

(Model No. may contain prefix and/or suffix characters)

Catalog No : U758-P

Rework No : N/A

Directives :

Low Voltage Directive 2014/35/EU

Harmonized Standards Used :

EN 60034-1: 2010 (IEC 60034-1: 2010)

EN 60034-5: 2001/A1:2007 (IEC 60034-5: 2000/A1:2006)

Authorized Representative:



Zach Stauffer  
Vice President, Engineering

Authorized Representative in the Community:



Stefano Casiraghi  
Technology Director, Engineering

Created on 07/08/2025

**CE 25**