

# PRODUCT INFORMATION PACKET



Model No: 143TTFR16017

Catalog No: C201B

General Purpose Motor, 1.50 & 1 HP, 3 Ph, 60 & 50 Hz, 230/460 & 190/380 V, 3600 & 3000 RPM,  
143TC Frame, TEFC



Regal and LEESON are trademarks of Regal Rexnord Corporation or one of its affiliated companies.  
©2025 Regal Rexnord Corporation, All Rights Reserved. MC017097E





### Nameplate Specifications

|                        |                            |                            |                                    |
|------------------------|----------------------------|----------------------------|------------------------------------|
| Phase                  | <b>3</b>                   | Output HP                  | <b>1.50 &amp; 1 Hp</b>             |
| Output KW              | <b>1.1 &amp; 0.75 kW</b>   | Voltage                    | <b>230/460 &amp; 190/380 V</b>     |
| Speed                  | <b>3515 &amp; 2935 rpm</b> | Service Factor             | <b>1.15 &amp; 1.15</b>             |
| Frame                  | <b>143TC</b>               | Enclosure                  | <b>Totally Enclosed Fan Cooled</b> |
| Thermal Protection     | <b>No Protection</b>       | Efficiency                 | <b>84 &amp; 85.5 %</b>             |
| Ambient Temperature    | <b>40 °C</b>               | Frequency                  | <b>60 &amp; 50 Hz</b>              |
| Current                | <b>4/2 &amp; 3.4/1.7 A</b> | Power Factor               | <b>83.5</b>                        |
| Duty                   | <b>Continuous</b>          | Insulation Class           | <b>F</b>                           |
| Design Code            | <b>B</b>                   | KVA Code                   | <b>M</b>                           |
| Drive End Bearing Size | <b>6205</b>                | Opp Drive End Bearing Size | <b>6203</b>                        |
| UL                     | <b>Recognized</b>          | CSA                        | <b>Y</b>                           |
| CE                     | <b>Y</b>                   | IP Code                    | <b>43</b>                          |
| Number of Speeds       | <b>1</b>                   |                            |                                    |

### Technical Specifications

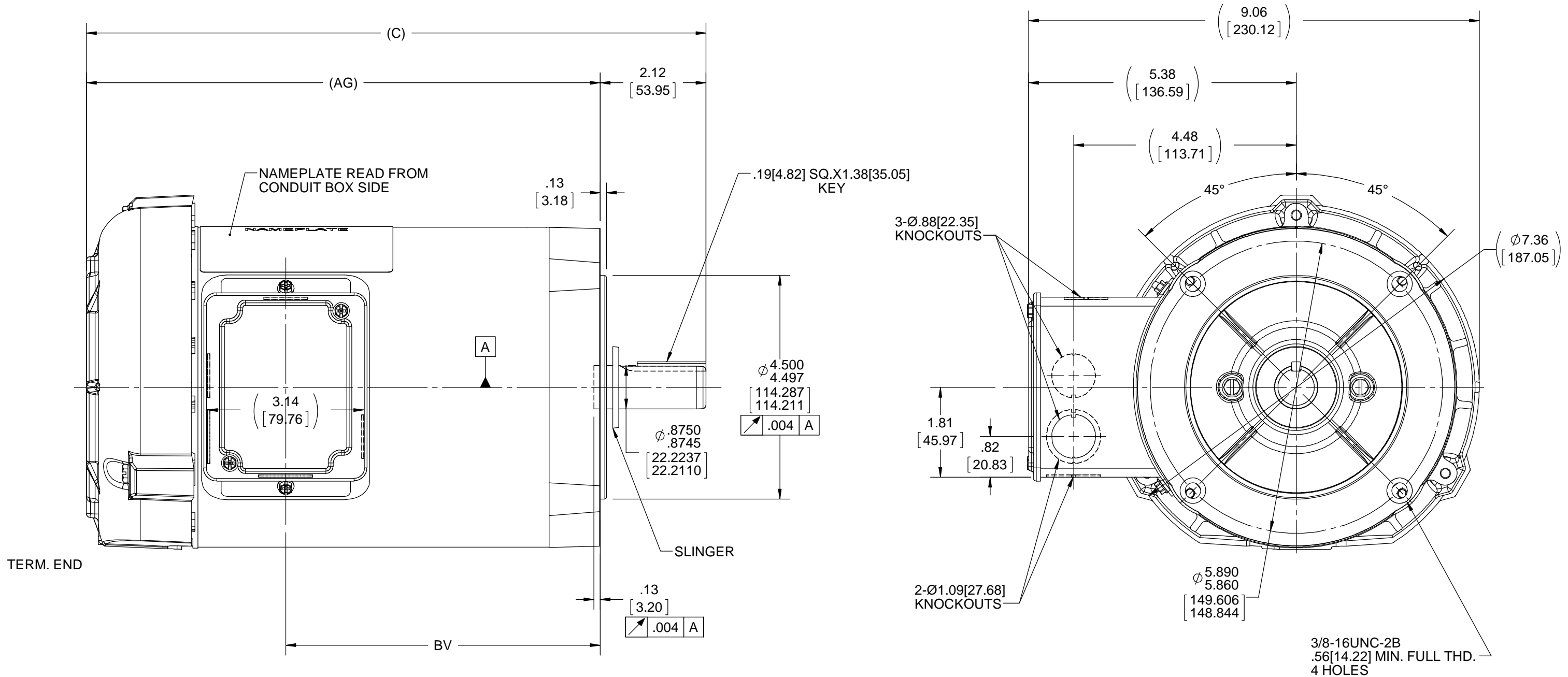
|                       |                                    |                       |                        |
|-----------------------|------------------------------------|-----------------------|------------------------|
| Electrical Type       | <b>Squirrel Cage Induction Run</b> | Starting Method       | <b>Across The Line</b> |
| Poles                 | <b>2</b>                           | Rotation              | <b>Reversible</b>      |
| Resistance Main       | <b>9.27 Ohms</b>                   | Mounting              | <b>Round</b>           |
| Motor Orientation     | <b>Horizontal</b>                  | Drive End Bearing     | <b>Ball</b>            |
| Opp Drive End Bearing | <b>Ball</b>                        | Frame Material        | <b>Rolled Steel</b>    |
| Shaft Type            | <b>T</b>                           | Overall Length        | <b>13.37 in</b>        |
| Frame Length          | <b>8.06 in</b>                     | Shaft Diameter        | <b>0.875 in</b>        |
| Shaft Extension       | <b>2.12 in</b>                     | Assembly/Box Mounting | <b>F1 ONLY</b>         |
| Outline Drawing       | <b>100105-806</b>                  | Connection Drawing    | <b>EE7308</b>          |

B

B

A

A



| DASH NO. | "C"           | "AG"          | "BV"         |
|----------|---------------|---------------|--------------|
| 656      | 11.95[303.53] | 9.82[249.42]  | 5.82[147.82] |
| 706      | 12.45[316.23] | 10.32[262.12] | 6.32[160.52] |
| 756      | 12.95[328.93] | 10.82[274.82] | 6.82[173.22] |
| 806      | 13.45[341.63] | 11.32[287.52] | 7.32[185.92] |
| 856      | 13.95[354.33] | 11.82[300.22] | 7.82[198.62] |
| 906      | 14.45[367.03] | 12.32[312.92] | 8.32[211.32] |
| 956      | 14.95[379.73] | 12.82[325.62] | 8.82[224.02] |

| DRAWING REVISION   | REVISION BY     | DATE            |
|--|-----------------|-----------------|
| J  | A. KEETHA       | 01-23-2018      |
| ECO  | APPROVED BY PST | DATE 04/11/2018 |
| ECO-0143026  |                 |                 |
| ECO DESCRIPTION  |                 |                 |
| OUTLINE CONVERSION PROJECT   |                 |                 |
| COPYRIGHT REGAL BELOIT AMERICA, INC. ALL RIGHTS RESERVED. PROPRIETARY AND CONFIDENTIAL INFORMATION - THIS DOCUMENT IS THE PROPERTY OF REGAL BELOIT AMERICA, INC. ("OWNER") AND CONTAINS OWNER'S PROPRIETARY INFORMATION. ANY PERSON, CORPORATION OR OTHER FIRM RECEIVING IT IS DEEMED, BY RECEIVING IT, TO AGREE THAT IT, AND/OR ANY PART OF IT, SHALL NOT BE DISCLOSED TO ANY PERSON, CORPORATION OR OTHER ENTITY, DUPLICATED, AND/OR USED, EXCEPT AS EXPRESSLY APPROVED IN WRITING IN ADVANCE BY OWNER. THIS DOCUMENT SHALL BE RETURNED TO OWNER UPON REQUEST. IT MAY BE SUBJECT TO CERTAIN RESTRICTIONS UNDER APPLICABLE EXPORT CONTROL LAWS AND REGULATIONS. |                 |                 |

| TOLERANCES UNLESS OTHERWISE SPECIFIED:  |         |           |         |
|---|---------|-----------|---------|
| DEC.  | INCH    | mm        | ANGLE   |
| .X  | ±0.1    | [±2.5]    | ±7° 30" |
| .XX   | ±0.03   | [±0.76]   |         |
| .XXX  | ±0.005  | [±0.127]  |         |
| .XXXX   | ±0.0005 | [±0.0127] |         |
| REMOVE BURRS & BREAK SHARP EDGES: .003/.015 [.076/.381] X 45° CORNER FILLETS: R.02 [.51] MACHINED SURFACES: 200 INCH/mm 5.1 |         |           |         |
| mm SHOWN IN [BRACKETS]  |         |           |         |

| DRAWN BY    | DATE                   |
|-------------|------------------------|
| SMC         | 08-14-1991             |
| APPROVED BY | DATE                   |
| GK          | 08-14-1991             |
| REFERENCE   | THIRD ANGLE PROJECTION |
| 100105      |                        |

| REGAL™ Regal Beloit America, Inc. |                           |
|-----------------------------------|---------------------------|
| DESCRIPTION                       | OUTLINE 140 FRAME-TEFC 3Ø |
| MATERIAL                          | PROCESS/FINISH            |
| SIZE B                            | DRAWING NUMBER 100105     |
| SHEET 1 OF 1                      |                           |

EE7308

THREE PHASE  
DUAL VOLTAGE MOTOR



VIEW OF TERMINAL END

REF.  
WINDING DIAGRAM

T8Y, T2Y, T2BL, T4BX, T2EC, T2G  
T6BZ, T2B, T6BL, T4AV, T6B, T4B

OPTIONAL CORD  
CONNECTION

L1 — WHITE  
L2 — RED  
L3 — BLACK

| NO.  | REVISION                                       | BY & DATE      | CHK | ANG   | TOLERANCES<br>UNLESS SPECIFIED |        | FINISH                   | DRAWN RM 11/20/1990 |        |                    |           |        |
|--|--|----------------|-----|-------|--------------------------------|--------|--------------------------|---------------------|--------|--------------------|-----------|--------|
|  |  |                |     |       | DEC.                           | INCHES |                          |                     |        |                    |           |        |
| 5  | CHG TO REGAL LOGO                              | SL 09/10/2015  | AB  |       |                                |        |                          | CHK ML 11/21/1990   |        |                    |           |        |
| 4  | REVISED IEC NOTATIONS                          | MSG 11/15/2011 | CMN | .X    | ±.1                            |        |                          | APPD SAS 04/24/2003 |        |                    |           |        |
| 3  | ADDED IEC NOTATIONS... (U1), (V1) ETC. MU95194 | MSG 5/10/2010  | MJS | .XX   | ±.02                           |        | TITLE CONNECTION DIAGRAM | SCALE 1=1           |        |                    |           |        |
| 2  | ADDED THE OPTIONAL CORD CONNECTION MU46318     | RDH 04/24/2003 | DRS | .XXX  | ±.005                          |        | 3Ø - DUAL VOLTAGE MOTOR  | REF                 |        |                    |           |        |
| 1  | REDRAWN  | RM 11/20/1990  |     | .XXXX | ±.0005                         |        | MAT'L.                   | FMF                 |        |                    |           |        |
|  |  |                |     |       | ±7'30"                         |        |                          | PREV                |        |                    |           |        |
| THIS DRAWING IN DESIGN AND DETAIL IS OUR PROPERTY AND MUST NOT BE USED EXCEPT IN CONNECTION WITH OUR WORK ALL RIGHTS OF DESIGN AND INVENTION ARE RESERVED THIS IS AN ELECTRONICALLY GENERATED DOCUMENT - DO NOT SCALE THIS PRINT |  |                |     |       |                                |        | RFP                      | CAD FILE ee7308     | SIZE A | DRAWING NO. EE7308 | PAGE OF 5 | REV. 5 |
|  |  |                |     |       |                                |        | DIST WP                  |                     |        |                    |           |        |



Regal Beloit America, Inc.

**CERTIFICATION DATA SHEET**

**Model#:** 143TTFR16017 AA  
**CONN. DIAGRAM:** EE7308  
**OUTLINE:** A-100105-806

**WINDING#:** ZT2141 R1 1  
**ASSEMBLY:** F1 ONLY

**TYPICAL MOTOR PERFORMANCE DATA**

| HP      | KW        | SYNC. RPM | F.L. RPM  | FRAME | ENCLOSURE | KVA CODE | DESIGN |
|---------|-----------|-----------|-----------|-------|-----------|----------|--------|
| 1 1/2&1 | 1.12&0.75 | 3600      | 3515&2935 | 143TC | TEFC      | M        | B      |

| PH | Hz    | VOLTS               | FL AMPS     | START TYPE         | DUTY           | INSL | S.F       | AMB°C | ELEVATION |
|----|-------|---------------------|-------------|--------------------|----------------|------|-----------|-------|-----------|
| 3  | 60/50 | 230/460#190/<br>380 | 4/2&3.4/1.7 | ACROSS THE<br>LINE | CONTINUOU<br>S | F3   | 1.15/1.15 | 40    | 3300      |

| FULL LOAD EFF:<br>84&85.5 | 3/4 LOAD EFF: 84.8 | 1/2 LOAD EFF: 82.3 | GTD. EFF | ELEC. TYPE      | NO LOAD AMPS |
|---------------------------|--------------------|--------------------|----------|-----------------|--------------|
| FULL LOAD PF:<br>83.5&79  | 3/4 LOAD PF: 77.8  | 1/2 LOAD PF: 67.2  | 82.5     | SQ CAGE IND RUN | 1.8 / .9     |

| F.L. TORQUE | LOCKED ROTOR AMPS | L.R. TORQUE   | B.D. TORQUE   | F.L. RISE°C |
|-------------|-------------------|---------------|---------------|-------------|
| 2.2 LB-FT   | 38.8 / 19.4       | 7.3 LB-FT 332 | 9.6 LB-FT 435 | 38          |

| SOUND PRESSURE<br>@ 3 FT. | SOUND POWER | ROTOR WK^2    | MAX. WK^2 | SAFE STALL TIME | STARTS<br>/HOUR | APPROX. MOTOR<br>WGT |
|---------------------------|-------------|---------------|-----------|-----------------|-----------------|----------------------|
| 69 dBA                    | 79 dBA      | 0.045 LB-FT^2 | 3 LB-FT^2 | 20 SEC.         | 2               | 55 LBS.              |

**\*\*\* SUPPLEMENTAL INFORMATION \*\*\***

| DE BRACKET<br>TYPE | ODE BRACKET<br>TYPE | MOUNT<br>TYPE | ORIENTATION | SEVERE<br>DUTY | HAZARDOUS<br>LOCATION | DRIP<br>COVER | SCREENS | PAINT            |
|--------------------|---------------------|---------------|-------------|----------------|-----------------------|---------------|---------|------------------|
| C-FACE             | STANDARD            | ROUND         | HORIZONTAL  | FALSE          | NONE                  | FALSE         | NONE    | BLUE<br>(POWDER) |

| BEARINGS |      | GREASE     | SHAFT TYPE | SPECIAL DE | SPECIAL ODE | SHAFT<br>MATERIAL              | FRAME<br>MATERIAL |
|----------|------|------------|------------|------------|-------------|--------------------------------|-------------------|
| DE       | OPE  |            |            |            |             |                                |                   |
| BALL     | BALL | POLYREX EM | T          | NONE       | NONE        | 1144<br>STRESSPROOF<br>(C-223) | ROLLED STEEL      |
| 6205     | 6203 |            |            |            |             |                                |                   |

| THERMO-PROTECTORS |            |          |          | THERMISTORS | CONTROL | SPACE /n HEATERS |
|-------------------|------------|----------|----------|-------------|---------|------------------|
| THERMOSTATS       | PROTECTORS | WDG RTDs | BRG RTDs |             |         |                  |
| NONE              | NOT        | NONE     | NONE     | NONE        | FALSE   | NONE VOLTS       |

If Inverter equals NONE, contact factory for further information

|                           |
|---------------------------|
| INVERTER TORQUE: NONE     |
| INV. HP SPEED RANGE: NONE |
| ENCODER: NONE             |
| NONE NONE                 |
| NONE NONE PPR             |
| BRAKE: NONE NONE          |
| NONE P/N NONE             |
| NONE NONE                 |
| NONE FT-LB NONE V NONE Hz |

\*  
N  
O  
T  
E  
S  
\*

DATE: 06/23/2017 12:00:58 AM

FORM 3531 REV.3 02/07/99

\*\* Subject to change without notice.



Data Sheet

Date: 6/20/2017  
 Customer: \_\_\_\_\_  
 Attention: \_\_\_\_\_  
 Submitted by: FAREEDA DUDEKULA



143TTFR16017

Submittal

Data @ 460 V

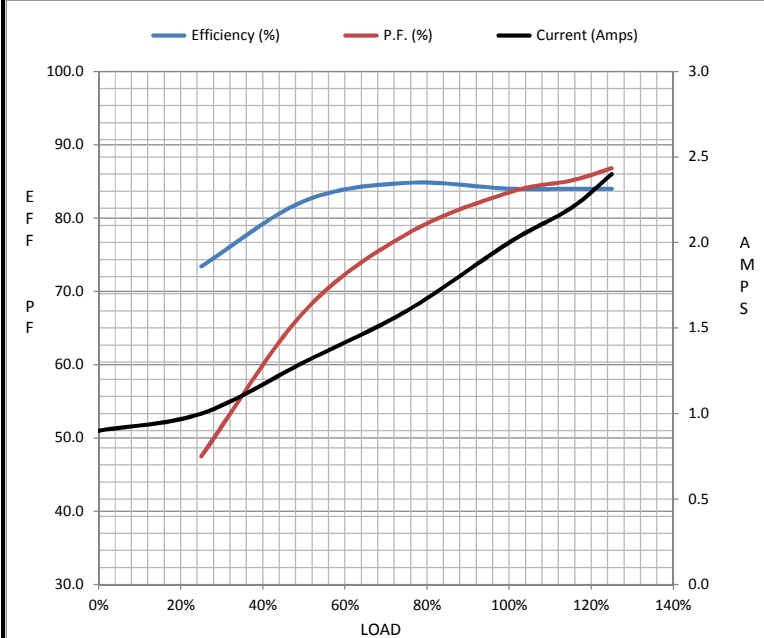
Motor Load Data

| Load           | 0%   | 25%  | 50%  | 75%  | 100% | 115%  | 125% | LR   |
|----------------|------|------|------|------|------|-------|------|------|
| Current (Amps) | 0.90 | 1.00 | 1.30 | 1.60 | 2.00 | 2.20  | 2.40 | 19.4 |
| Torque (ft-lb) | 0.00 | 0.60 | 1.10 | 1.70 | 2.20 | 2.60  | 2.80 | 7.3  |
| RPM            | 3600 | 3575 | 3555 | 3535 | 3515 | 3,500 | 3485 | 0    |
| Efficiency (%) |      | 73.4 | 82.3 | 84.8 | 84.0 | 84.0  | 84.0 |      |
| P.F. (%)       | 17.0 | 47.5 | 67.2 | 77.8 | 83.5 | 85.1  | 86.8 | 58.0 |

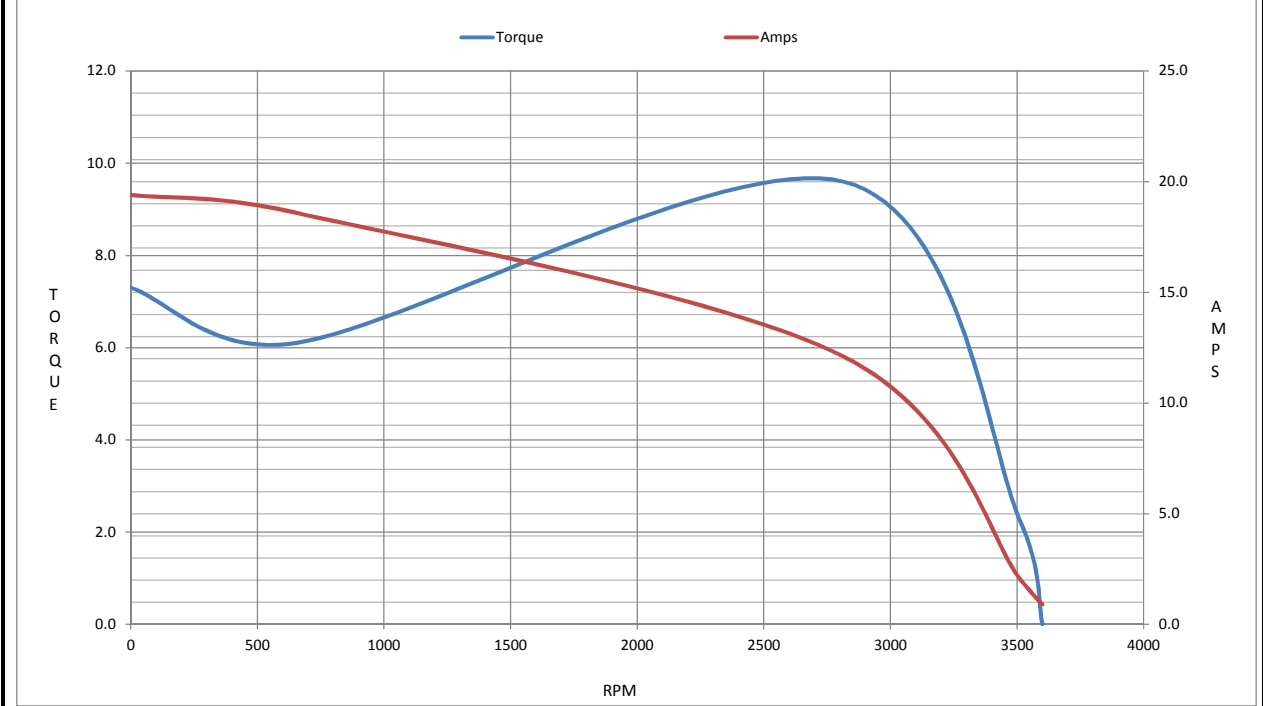
Motor Speed Data

|                | LR   | Pull-Up | BD   | Rated | Idle |
|----------------|------|---------|------|-------|------|
| Speed (RPM)    | 0    | 650     | 2815 | 3515  | 3600 |
| Current (Amps) | 19.4 | 18.6    | 12.1 | 2.00  | 0.90 |
| Torque (ft-lb) | 7.3  | 6.1     | 9.6  | 2.20  | 0.00 |

| Information Block           |                         |        |        |         |
|-----------------------------|-------------------------|--------|--------|---------|
| HP                          | 1.5                     |        |        |         |
| Sync. RPM                   | 3600                    |        |        |         |
| Frame                       | 143                     |        |        |         |
| Enclosure                   | TEFC                    |        |        |         |
| Construction                | TFR                     |        |        |         |
| Voltage                     | 30/460#190/381V         |        |        |         |
| Frequency                   | 60 Hz                   |        |        |         |
| Design                      | A                       |        |        |         |
| LR Code letter              | M                       |        |        |         |
| Service Factor              | 1.15                    |        |        |         |
| Temp Rise @ FL              | 38 °C                   |        |        |         |
| Duty                        | CONT                    |        |        |         |
| Ambient                     | 40 °C                   |        |        |         |
| Elevation                   | 1,000 feet              |        |        |         |
| Rotor/Shaft wk <sup>2</sup> | 0.05 Lb-Ft <sup>2</sup> |        |        |         |
| Ref Wdg                     | ZT2141 R1               |        |        |         |
| Sound Pressure @ 1M         | 69 dBA                  |        |        |         |
| VFD Rating                  | NONE                    |        |        |         |
| Outline Dwg                 | A-100105-806            |        |        |         |
| Conn. Diag                  | EE7308                  |        |        |         |
| Additional Specifications:  |                         |        |        |         |
| 0                           |                         |        |        |         |
| 0                           |                         |        |        |         |
| EQUIV CKT (OHMS / PHASE)    |                         |        |        |         |
| R1                          | R2                      | X1     | X2     | Xm      |
| 1.4190                      | 0.9460                  | 2.3180 | 2.1290 | 79.9370 |



Speed -Torque Curve



## EC Declaration of Conformity

The undersigned representing  
the manufacturer:

Regal Beloit America  
1946 West Cook Road  
Fort Wayne, IN 46818

and the authorized representative  
established within the Community:

Regal Beloit Italy  
Via Modena, 18  
24040 Ciserano(BG) - Italy

are committed to providing customers with products that comply with applicable regulations and international protocols to which they are subject, including the requirements of the European Parliament Directive on the Harmonization of the laws relating to electrical equipment designed for use within certain voltage limits (2014/35/EU).

Regal Beloit America declares that the following product(s), to which this declaration relates, are in conformity with the relevant sections of the EC standards listed below.

This statement supersedes any statements previously issued pertaining to the product(s) listed below and is subject to change without notice.

Model No : 143TTFR16017

(Model No. may contain prefix and/or suffix characters)

Catalog No : C201B

Rework No : N/A

Directives :

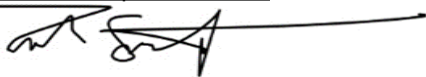
Low Voltage Directive 2014/35/EU

Harmonized Standards Used :

EN 60034-1: 2010 (IEC 60034-1: 2010)

EN 60034-5: 2001/A1:2007 (IEC 60034-5: 2000/A1:2006)

Authorized Representative:



Zach Stauffer  
Vice President, Engineering

Authorized Representative in the Community:



Stefano Casiraghi  
Technology Director, Engineering

Created on 07/08/2025

**CE 25**