

# PRODUCT INFORMATION PACKET



Model No: 145TBFR5327

Catalog No: I201

General Purpose Motor, 1.50 HP, 1 Ph, 60 Hz, 115/208-230 V, 1800 RPM, 145T Frame, TEFC



Regal and LEESON are trademarks of Regal Rexnord Corporation or one of its affiliated companies.  
©2025 Regal Rexnord Corporation, All Rights Reserved. MC017097E



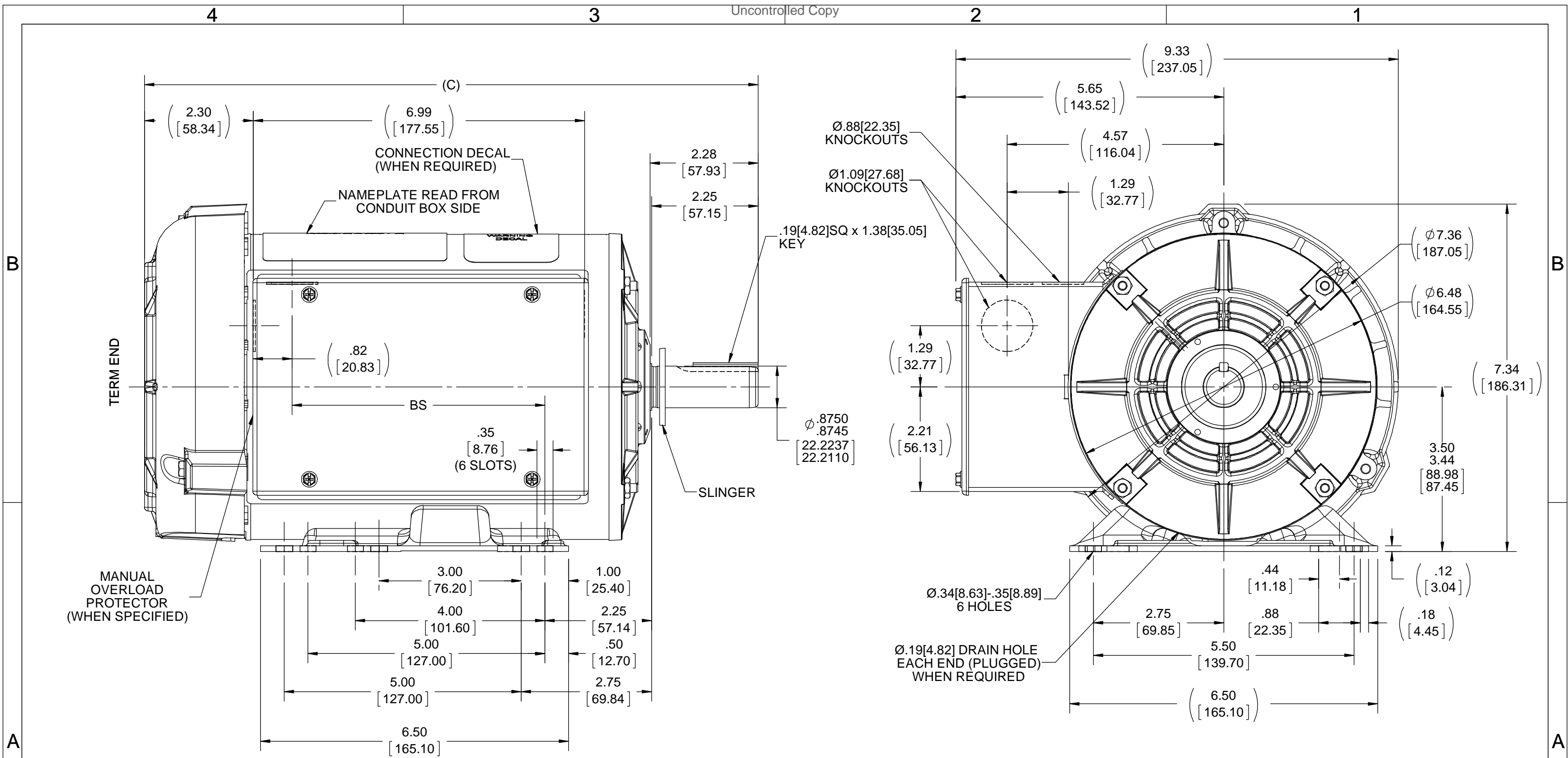


### Nameplate Specifications

Phase	1	Output HP	1.50 Hp
Output KW	1.1 kW	Voltage	115/208-230 V
Speed	1740 rpm	Service Factor	1.15
Frame	145T	Enclosure	Totally Enclosed Fan Cooled
Thermal Protection	Manual	Efficiency	80 %
Ambient Temperature	40 °C	Frequency	60 Hz
Current	15.2/8.2-7.6 A	Power Factor	80
Duty	Continuous	Insulation Class	B
Design Code	L	KVA Code	J
Drive End Bearing Size	6205	Opp Drive End Bearing Size	6203
UL	Recognized	CSA	Y
CE	Y	IP Code	43
Number of Speeds	1		

### Technical Specifications

Electrical Type	Capacitor Start Capacitor Run	Starting Method	Across The Line
Poles	4	Rotation	Selective Counterclockwise
Resistance Main	0 Ohms	Mounting	Rigid Base
Motor Orientation	Horizontal	Drive End Bearing	Ball
Opp Drive End Bearing	Ball	Frame Material	Rolled Steel
Shaft Type	T	Overall Length	13.87 in
Frame Length	8.56 in	Shaft Diameter	0.875 in
Shaft Extension	2.28 in	Assembly/Box Mounting	F1 ONLY
Connection Drawing	102006-52	Outline Drawing	100116-856



DASH	C	BS
756	12.94 [328.67]	5.33 [135.38]
806	13.44 [341.37]	5.83 [148.08]
856	13.94 [354.07]	6.33 [160.78]
906	14.44 [366.77]	6.83 [173.48]
956	14.94 [379.47]	7.33 [186.18]

DRAWING REVISION L	REVISION BY H. ADIKE	DATE 03-22-2018
ECO ECO-0143026	APPROVED BY PST	DATE 04/12/2018
ECO DESCRIPTION		
<p><b>OUTLINE CONVERSION PROJECT</b></p> <p>COPYRIGHT REGAL BELOIT AMERICA, INC. ALL RIGHTS RESERVED. PROPRIETARY AND CONFIDENTIAL INFORMATION - THIS DOCUMENT IS THE PROPERTY OF REGAL BELOIT AMERICA, INC. ("OWNER") AND CONTAINS OWNER'S PROPRIETARY INFORMATION. ANY PERSON, CORPORATION OR OTHER FIRM RECEIVING IT IS DEEMED, BY RECEIVING IT, TO AGREE THAT IT, AND/OR ANY PART OF IT, SHALL NOT BE DISCLOSED TO ANY PERSON, CORPORATION OR OTHER ENTITY, DUPLICATED, AND/OR USED, EXCEPT AS EXPRESSLY APPROVED IN WRITING IN ADVANCE BY OWNER. THIS DOCUMENT SHALL BE RETURNED TO OWNER UPON REQUEST. IT MAY BE SUBJECT TO CERTAIN RESTRICTIONS UNDER APPLICABLE EXPORT CONTROL LAWS AND REGULATIONS.</p>		

TOLERANCES UNLESS OTHERWISE SPECIFIED:

DEC.	INCH	mm	ANGLE
.X	$\pm 0.1$	[ $\pm 2.5$ ]	$\pm 7' 30''$
.XX	$\pm 0.03$	[ $\pm 0.76$ ]	
.XXX	$\pm 0.005$	[ $\pm 0.127$ ]	
.XXXX	$\pm 0.0005$	[ $\pm 0.0127$ ]	

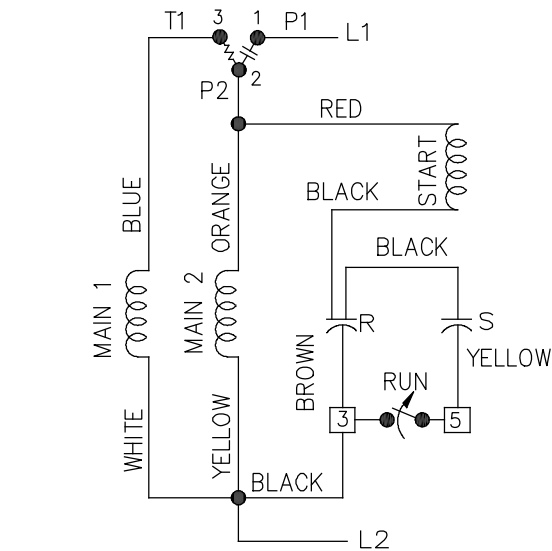
REMOVE BURRS & BREAK SHARP EDGES: .003/.015 [.076/.381] X 45° CORNER FILLETS: R.02 [.51] MACHINED SURFACES: 200 INCH/mm 5.1

mm SHOWN IN [BRACKETS]

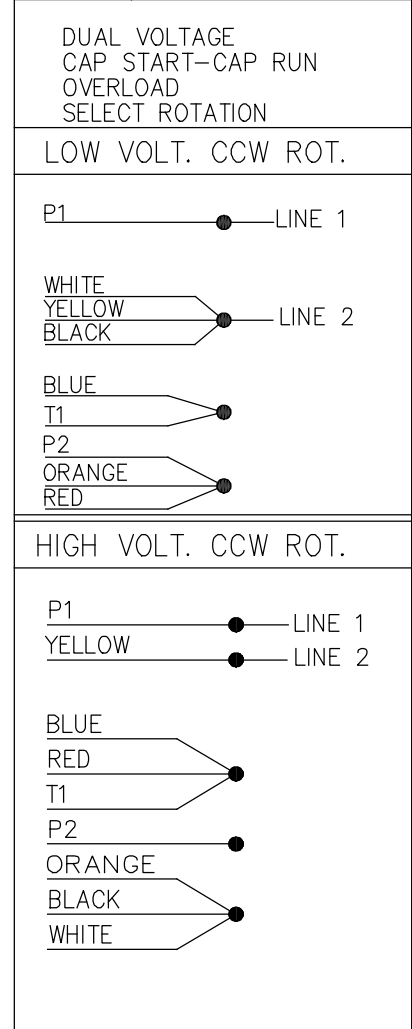
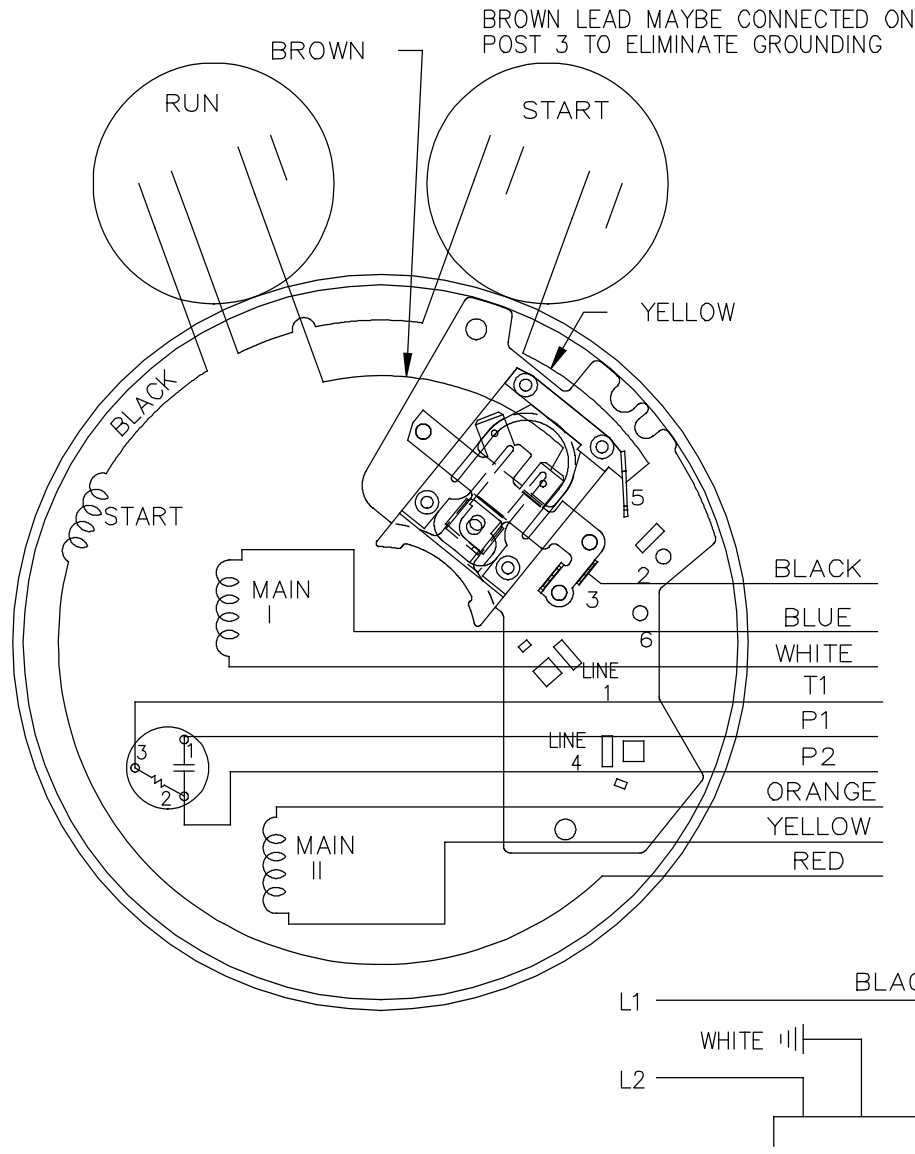
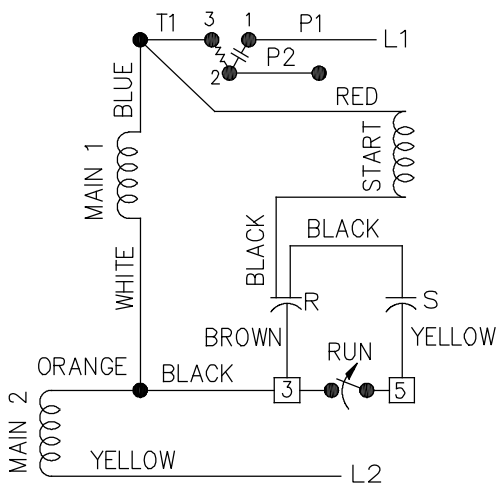
DRAWN BY RM
DATE 08-12-1991
APPROVED BY GK
DATE 08-12-1991
REFERENCE 100116
THIRD ANGLE PROJECTION

Regal Beloit America, Inc.	
DESCRIPTION	
<p align="center"><b>OUTLINE</b></p> <p align="center">140 FR. 56 HZ - TEFC 1Ø - BB</p>	
MATERIAL	PROCESS/FINISH
SIZE B	DRAWING NUMBER 100116
	SHEET 1 OF 1

LOW VOLTAGE C.C.W.



HIGH VOLTAGE C.C.W.



FOR CW ROT. EITHER VOLTAGE INTERCHANGE RED WITH BLACK LEAD.

14	UDATED LOGO TO REGAL	SN 01-09-2020		TOLERANCES UNLESS SPECIFIED		<b>Regal Beloit America, Inc.</b>	DRAWN ML 05-09-1992			
13	CHG'ED SWITCH TO OPEN WHEN RUNNING ISAAC 11-2715	KBB 06-23-2011	EH	DEC.	INCHES		CHK GK 05-09-1992			
12	REMOVE 1,2,3 & 4 ON LOW & HIGH VOLT CN 31436	TJB 02-14-2002	DRS	.X	±.1	APPD FG 05-09-1992				
11	REMOVE BRAKE VIEW CN 31436	TJB 01-30-2002	DRS	.XX	±.02	TITLE CONNECTION DIAGRAM	SCALE 5=8			
10	ADDED BROW LEAD DETAIL NOTE CN 24300-323	BJW 02-28-2000		.XXX	±.005		REF			
9	ADDED CORD VIEW MU20434	BLR 07-01-1998		.XXXX	±.0005	MAT'L.	FMF			
NO.	REVISION	BY & DATE	CHK	ANG	±7'30"	FINISH	PREV			
THIS DRAWING IN DESIGN AND DETAIL IS OUR PROPERTY AND MUST NOT BE USED EXCEPT IN CONNECTION WITH OUR WORK ALL RIGHTS OF DESIGN AND INVENTION ARE RESERVED THIS IS AN ELECTRONICALLY GENERATED DOCUMENT - DO NOT SCALE THIS PRINT			RFP	CAD FILE 102006-52			SIZE A	DRAWING NO. 102006-52	PAGE OF 14	REV. 14
			DIST	WP						





**REGAL REXNORD CORPORATION**  
TYPICAL PERFORMANCE CURVE for AC MOTOR

Customer

Curve at

230

Volts

HP 1.50

PHASE 1

Model No 145TBFR5327

60

HZ

1.5

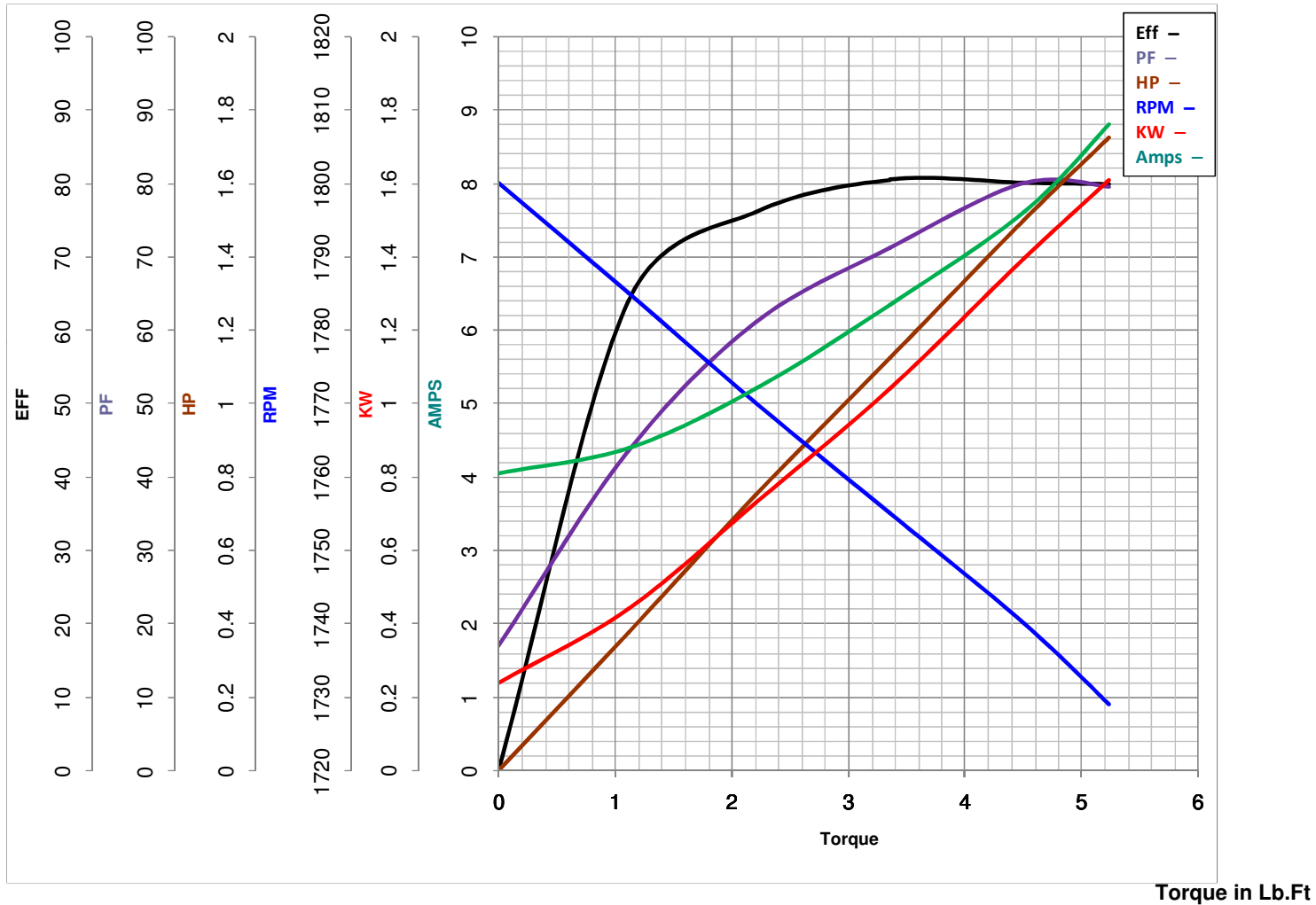
HP

VOLTS 115/208-230

Catalog No I201

HZ 60

RPM 1740



FL TORQUE	<u>4.51</u>	Lb.Ft	FL AMPS	<u>15.2/8.2-7.6</u>
BD TORQUE	<u>12.4</u>	Lb.Ft	PU TORQUE	<u>12.6</u> Lb.Ft
LR TORQUE	<u>14.8</u>	Lb.Ft	LR AMPS	<u>53.8</u>
WINDING	ZB406-		Date	

## EC Declaration of Conformity

The undersigned representing  
the manufacturer:

Regal Beloit America  
1946 West Cook Road  
Fort Wayne, IN 46818

and the authorized representative  
established within the Community:

Regal Beloit Italy  
Via Modena, 18  
24040 Ciserano(BG) - Italy

are committed to providing customers with products that comply with applicable regulations and international protocols to which they are subject, including the requirements of the European Parliament Directive on the Harmonization of the laws relating to electrical equipment designed for use within certain voltage limits (2014/35/EU).

Regal Beloit America declares that the following product(s), to which this declaration relates, are in conformity with the relevant sections of the EC standards listed below.

This statement supersedes any statements previously issued pertaining to the product(s) listed below and is subject to change without notice.

Model No : 145TBFR5327

(Model No. may contain prefix and/or suffix characters)

Catalog No : I201

Rework No : N/A

Directives :

Low Voltage Directive 2014/35/EU

Harmonized Standards Used :

EN 60034-1: 2010 (IEC 60034-1: 2010)

EN 60034-5: 2001/A1:2007 (IEC 60034-5: 2000/A1:2006)

Authorized Representative:



Zach Stauffer  
Vice President, Engineering

Authorized Representative in the Community:



Stefano Casiraghi  
Technology Director, Engineering

Created on 07/08/2025

**CE 25**