

PRODUCT INFORMATION PACKET



Model No: 145TBFR5341

Catalog No: Z128

General Purpose Farm Duty Motor, 2 HP, 1 Ph, 60 Hz, 115/230 V, 1800 RPM, 145T Frame, TEFC



Regal and LEESON are trademarks of Regal Rexnord Corporation or one of its affiliated companies.

©2025 Regal Rexnord Corporation, All Rights Reserved. MC017097E



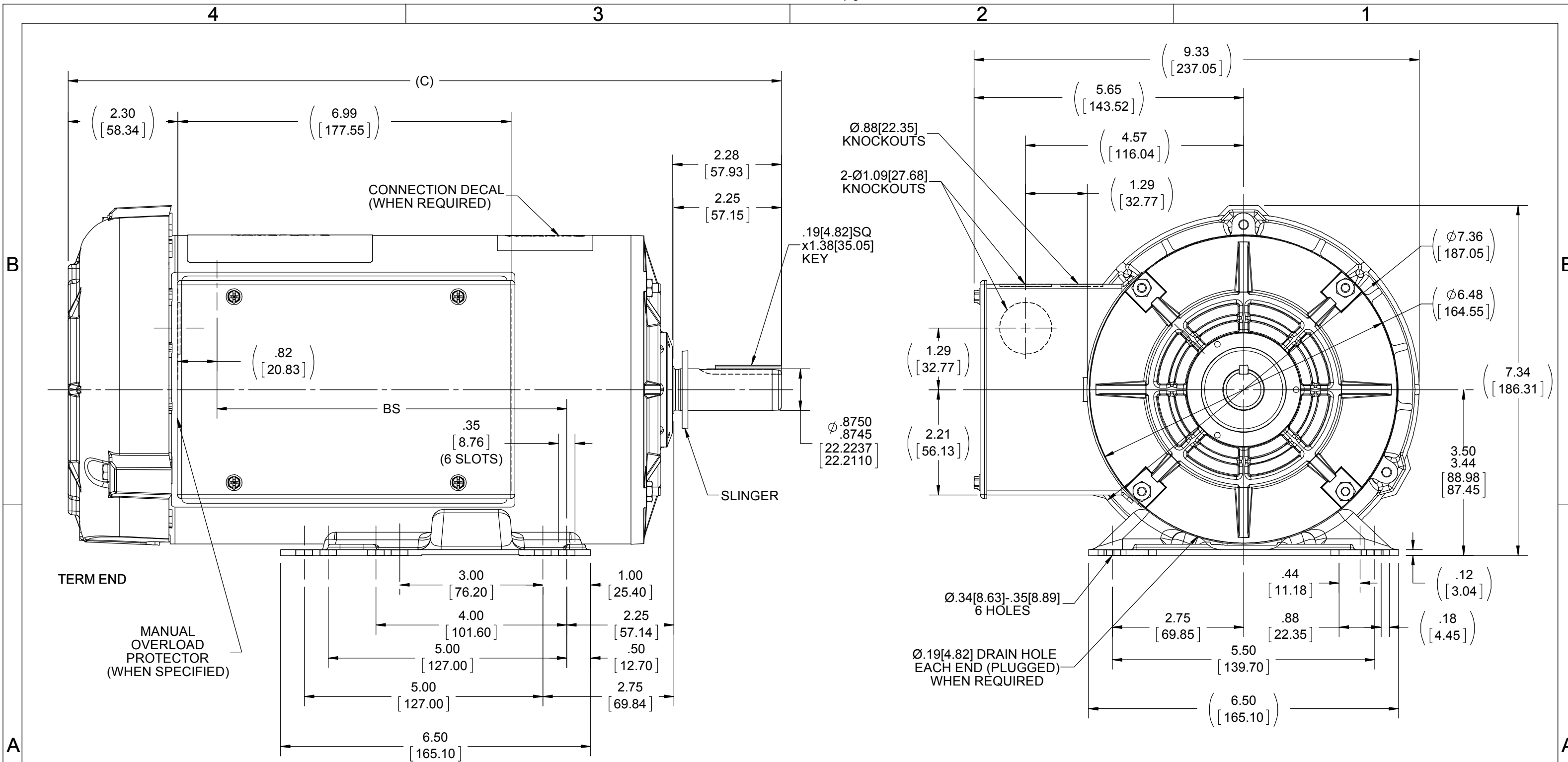


Nameplate Specifications

Phase	1	Output HP	2 Hp
Output KW	1.5 kW	Voltage	115/230 V
Speed	1740 rpm	Service Factor	1.15
Frame	145T	Enclosure	Totally Enclosed Fan Cooled
Thermal Protection	Manual	Efficiency	81.5 %
Ambient Temperature	40 °C	Frequency	60 Hz
Current	18.8/9.4 A	Power Factor	86.1
Duty	Continuous	Insulation Class	B
Design Code	L	KVA Code	J
Drive End Bearing Size	6205	Opp Drive End Bearing Size	6203
UL	Recognized (Not Protector)	CSA	Y
CE	Y	IP Code	43
Number of Speeds	1		

Technical Specifications

Electrical Type	Capacitor Start Capacitor Run	Starting Method	Across The Line
Poles	4	Rotation	Selective Counterclockwise
Resistance Main	0 Ohms	Mounting	Rigid Base
Motor Orientation	Horizontal	Drive End Bearing	Ball
Opp Drive End Bearing	Ball	Frame Material	Rolled Steel
Shaft Type	T	Overall Length	14.87 in
Frame Length	9.56 in	Shaft Diameter	0.875 in
Shaft Extension	2.25 in	Assembly/Box Mounting	F1 ONLY
Connection Drawing	102006-52	Outline Drawing	108681-956

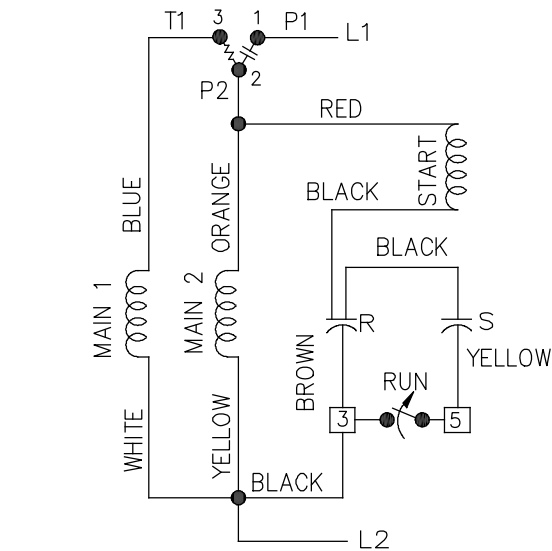


NOTE:-
1) NAMEPLATE READ FROM CONDUIT BOX SIDE.

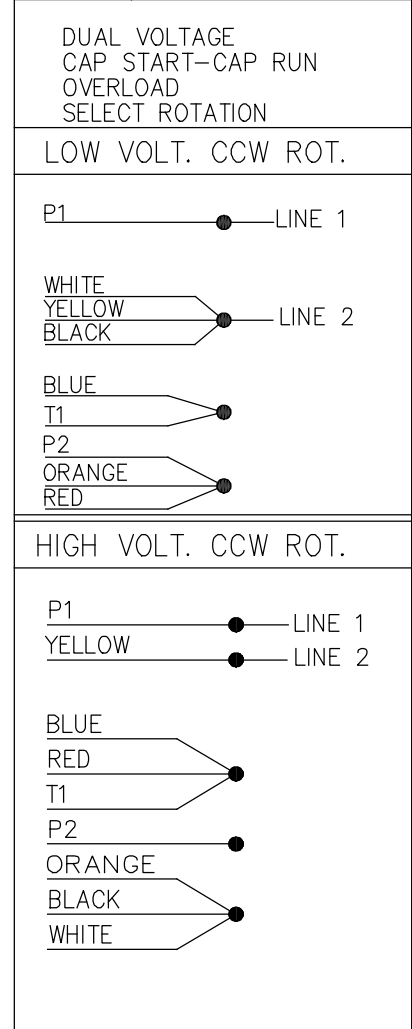
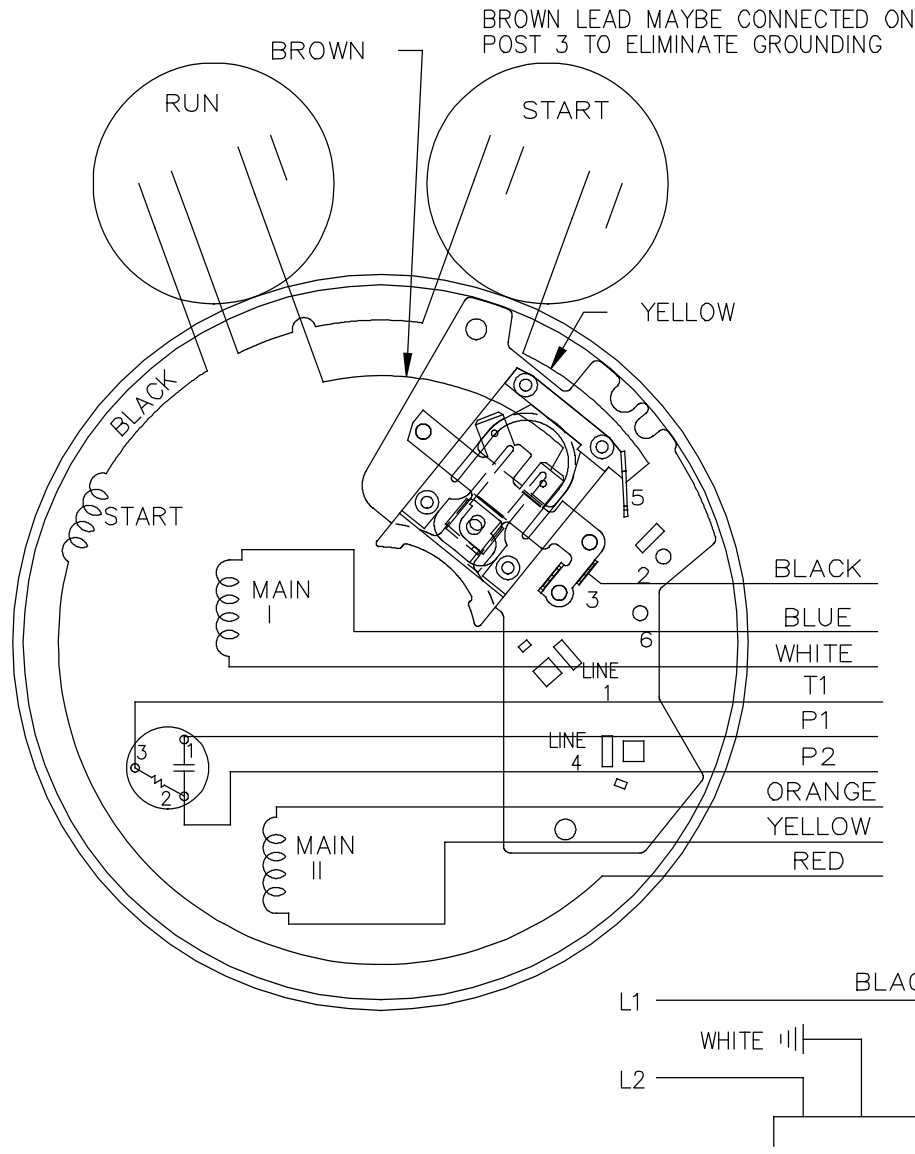
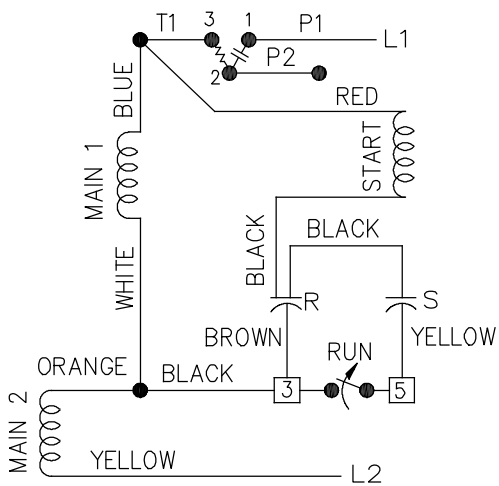
DRAWING REVISION A	REVISION BY S SAHOO	DATE 02/12/2019	TOLERANCES UNLESS OTHERWISE SPECIFIED: DEC. INCH mm ANGLE .X ±0.1 [±2.5] ±7° 30" .XX ±0.03 [±0.76] .XXX ±0.005 [±0.127] .XXXX ±0.0005 [±0.0127] REMOVE BURRS & BREAK SHARP EDGES: .003/.015 [.076/.381] X 45° CORNER FILLETS: R.02 [.51] MACHINED SURFACES: 200 INCH/mm 5.1 mm SHOWN IN [BRACKETS]	DRAWN BY S SAHOO	REGAL ™ Regal Beloit America, Inc.		
ECO ECO-0162621	APPROVED BY D SURYAWANSHI	DATE 02/28/2019		DATE 02/12/2019			
ECO DESCRIPTION OUTLINE CONVERSION PROJECT <small>COPYRIGHT REGAL BELOIT AMERICA, INC. ALL RIGHTS RESERVED. PROPRIETARY AND CONFIDENTIAL INFORMATION - THIS DOCUMENT IS THE PROPERTY OF REGAL BELOIT AMERICA, INC. ("OWNER") AND CONTAINS OWNER'S PROPRIETARY INFORMATION. ANY PERSON, CORPORATION OR OTHER FIRM RECEIVING IT IS DEEMED, BY RECEIVING IT, TO AGREE THAT IT, AND/OR ANY PART OF IT, SHALL NOT BE DISCLOSED TO ANY PERSON, CORPORATION OR OTHER ENTITY, DUPLICATED, AND/OR USED, EXCEPT AS EXPRESSLY APPROVED IN WRITING IN ADVANCE BY OWNER. THIS DOCUMENT SHALL BE RETURNED TO OWNER UPON REQUEST. IT MAY BE SUBJECT TO CERTAIN RESTRICTIONS UNDER APPLICABLE EXPORT CONTROL LAWS AND REGULATIONS.</small>				APPROVED BY D SURYAWANSHI	DESCRIPTION OUTLINE 140/56 HZ FR. - TEFCΦ - BB		
DASH	C	BS		DATE 02/28/2019	MATERIAL	PROCESS/FINISH	
956	14.94 [379.47]	7.33 [186.18]		REFERENCE 100116			
				THIRD ANGLE PROJECTION	SIZE B	DRAWING NUMBER 108681	SHEET 1 OF 1

DASH	C	BS
956	14.94 [379.47]	7.33 [186.18]

LOW VOLTAGE C.C.W.



HIGH VOLTAGE C.C.W.



FOR CW ROT. EITHER VOLTAGE INTERCHANGE RED WITH BLACK LEAD.

14	UDATED LOGO TO REGAL	SN	01-09-2020	TOLERANCES UNLESS SPECIFIED		Regal Beloit America, Inc.	DRAWN ML 05-09-1992						
13	CHG'ED SWITCH TO OPEN WHEN RUNNING ISAAC 11-2715	KBB	06-23-2011	EH	DEC. INCHES		CHK GK 05-09-1992						
12	REMOVE 1,2,3 & 4 ON LOW & HIGH VOLT CN 31436	TJB	02-14-2002	DRS	.X ±.1	APPD FG 05-09-1992	SCALE 5=8						
11	REMOVE BRAKE VIEW CN 31436	TJB	01-30-2002	DRS	.XX ±.02	TITLE CONNECTION DIAGRAM		REF					
10	ADDED BROW LEAD DETAIL NOTE CN 24300-323	BJW	02-28-2000		.XXX ±.005			FMF					
9	ADDED CORD VIEW MU20434	BLR	07-01-1998		.XXXX ±.0005	MAT'L.		PREV					
NO.	REVISION	BY & DATE	CHK	ANG	±7'30"	FINISH							
THIS DRAWING IN DESIGN AND DETAIL IS OUR PROPERTY AND MUST NOT BE USED EXCEPT IN CONNECTION WITH OUR WORK ALL RIGHTS OF DESIGN AND INVENTION ARE RESERVED THIS IS AN ELECTRONICALLY GENERATED DOCUMENT - DO NOT SCALE THIS PRINT						RFP	CAD FILE	102006-52	SIZE	DRAWING NO.	PAGE	OF	REV.
						DIST	WP		A	102006-52			14



REGAL REXNORD CORPORATION
TYPICAL PERFORMANCE CURVE for AC MOTOR

Customer

Curve at

230 Volts
60 HZ
2 HP

HP 2.00

PHASE 1

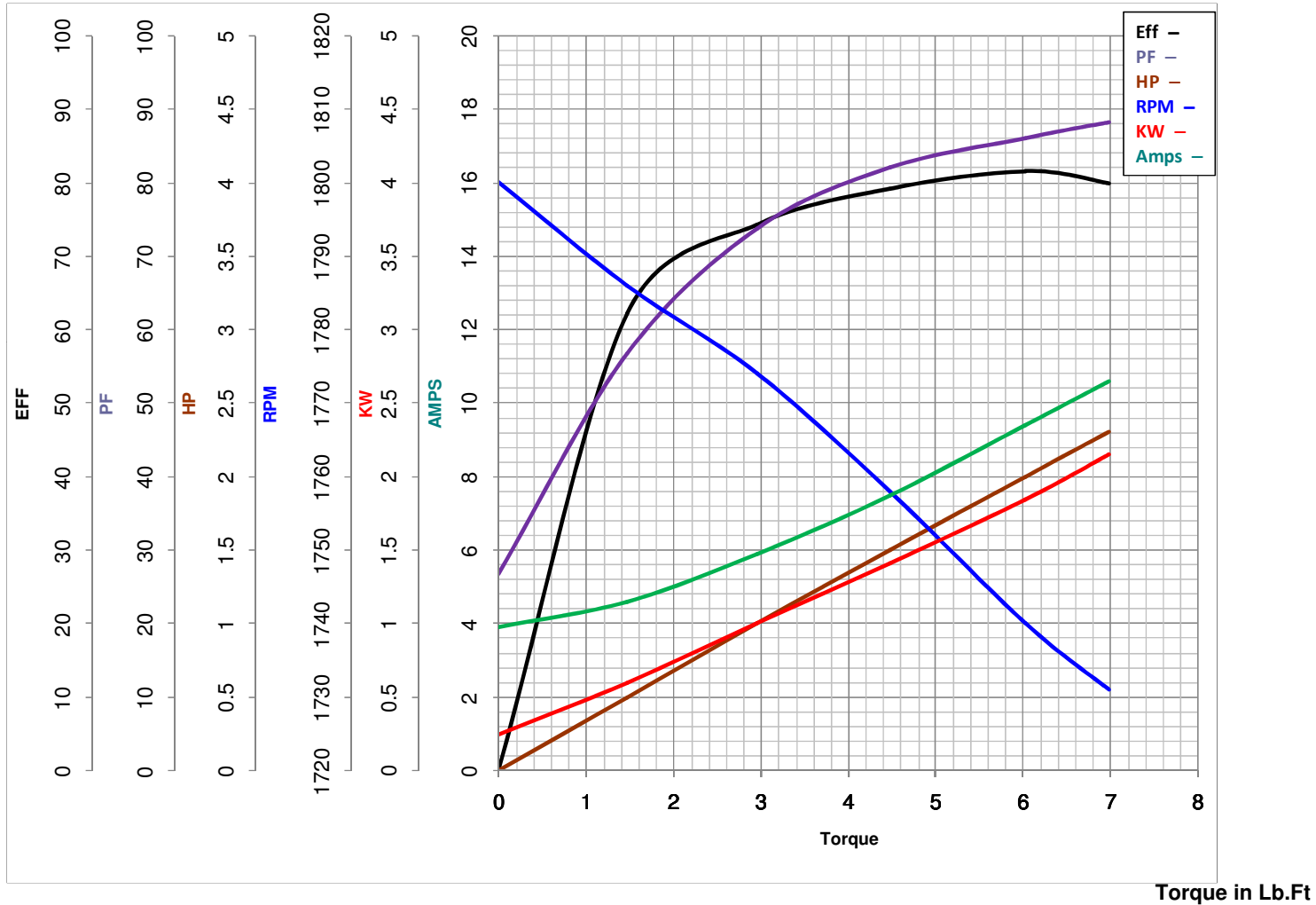
Model No 145TBFR5341

VOLTS 115/230

Catalog No Z128

HZ 60

RPM 1740



FL TORQUE	<u>6.02</u>	Lb.Ft	FL AMPS	<u>18.8/9.4</u>
BD TORQUE	<u>14.9</u>	Lb.Ft	PU TORQUE	<u>14.3</u> Lb.Ft
LR TORQUE	<u>15.9</u>	Lb.Ft	LR AMPS	<u>63.5</u>
WINDING	ZB411-		Date	

EC Declaration of Conformity

The undersigned representing
the manufacturer:

Regal Beloit America
1946 West Cook Road
Fort Wayne, IN 46818

and the authorized representative
established within the Community:

Regal Beloit Italy
Via Modena, 18
24040 Ciserano(BG) - Italy

are committed to providing customers with products that comply with applicable regulations and international protocols to which they are subject, including the requirements of the European Parliament Directive on the Harmonization of the laws relating to electrical equipment designed for use within certain voltage limits (2014/35/EU).

Regal Beloit America declares that the following product(s), to which this declaration relates, are in conformity with the relevant sections of the EC standards listed below.

This statement supersedes any statements previously issued pertaining to the product(s) listed below and is subject to change without notice.

Model No : 145TBFR5341

(Model No. may contain prefix and/or suffix characters)

Catalog No : Z128

Rework No : N/A

Directives :

Low Voltage Directive 2014/35/EU

Harmonized Standards Used :

EN 60034-1: 2010 (IEC 60034-1: 2010)

EN 60034-5: 2001/A1:2007 (IEC 60034-5: 2000/A1:2006)

Authorized Representative:



Zach Stauffer
Vice President, Engineering

Authorized Representative in the Community:



Stefano Casiraghi
Technology Director, Engineering

Created on 07/08/2025

CE 25